

PAGE	CONTENTS
1	COVER PAGE
2	CLOCK DIAGRAM
3	RESET/ENABLE DIAGRAM
4	CPU, CLOCKS + EEPROM + STRAPPING
5	CPU, FSB
6	CPU, FSB POWER + PLL POWER
7	CPU, CORE POWER
8	CPU, POWER
9	CPU, DECOUPLING
10	CPU, DECOUPLING
11	CPU, DECOUPLING
12	GPU, FSB
13	GPU, VIDEO + PCIEX + EEPROM
14	GPU, MEMORY CONTROLLER A + B
15	GPU, MEMORY CONTROLLER C + D
16	GPU, PLL POWER + FSB POWER
17	GPU, CORE POWER + MEM POWER
18	GPU, DECOUPLING
19	MEMORY, A (TOP)
20	MEMORY, A MIRRORED (BOTTOM)
21	MEMORY, B (TOP)
22	MEMORY, B MIRRORED (BOTTOM)
23	MEMORY, C (TOP)
24	MEMORY, C MIRRORED (BOTTOM)
25	MEMORY, D (TOP)
26	MEMORY, D MIRRORED (BOTTOM)
27	HANA, CLOCKS + STRAPPING
28	HANA, VIDEO + FAN + JTAG
29	CONN, HDMI
30	HANA, POWER + DECOUPLING
31	HANA, POWER + DECOUPLING
32	POWER TRACE EMI CAPS

PAGE	CONTENTS
33	SB, PCIEX + SMM GPIO + JTAG
34	SB, SMC
35	SB, FLASH + USB + SPI
36	SB, ETHERNET + AUDIO + SATA
37	SB, STANDBY POWER + DECOUPLE
38	SB, MAIN POWER + DECOUPLE
39	SB OUT, ETHERNET
40	SB OUT, AUDIO
41	SB OUT, FLASH
42	SB OUT, FAN + INFRARED + BUTTONS
43	CONN, AVIP
44	CONN, RJ45 + USB COMBO
45	CONN, GAME PORTS + MEMORY PORTS
46	MISC, V 5P0 DUAL, DEBUG MAPPING
47	CONN, ODD AND HDD
48	CONN, ARGON + POWER
49	VREGS, INPUT + OUTPUT FILTERS
50	VREGS, CPU CONTROLLER
51	VREGS, GPU OUTPUT PHASE 1,2,3
52	VREGS, GPU CONTROLLER
53	VREGS, GPU OUTPUT PHASE 1,2
54	VREGS, SWITCHED 1.8, 5.0V
55	VREGS, LINEAR REGULATORS
56	XDK, DEBUG CONN
57	DEBUG BOARD, CPU + GPU BREAKOUT
58	DEBUG BOARD, CPU CONN
59	DEBUG BOARD, CPU CONN + TERM
60	DEBUG BOARD, CPU TERM
61	DEBUG BOARD, TITAN + YETI CONN
62	DEBUG BOARD, GPU CONN + TERM
63	XDK, LEDS, BDCM PHY
64	LABELS AND MOUNTING, PCI SWIZ
[65-6]	MEM QUAL BOARDS

FALCON

RETAIL

REV 1.0

FAB D

RULES: (APPLIED WHEN POSSIBLE)

- 1.) MSB TO LSB IS TOP TO BOTTOM
- 2.) WHEN POSSIBLE, INPUTS ON LEFT, OUTPUTS ON RIGHT
- 3.) ORDER OF PAGES: CHIP INTERFACES, TERMINATION, POWER, DECOUPLING
- 4.) AVOID USING OFF PAGE CONNECTORS FOR ON PAGE CONNECTIONS
- 5.) LANED SIGNALS ARE GROUPED ON SYMBOLS
- 6.) TRANSMITTER NAME USED AS PREFIX WITH RX AND TX CONNECTIONS
- 7.) SUFFIX V IS USED FOR VOLTAGE RAIL SIGNAL NAMES
- 8.) SUFFIX DP AND DN ARE USED FOR DIFFERENTIAL PAIRS
- 9.) UNNAMED NETS ARE NAMED WITH /2, TEXT SIZE
- 10.) SUFFIX N FOR ACTIVE LOW OR N JUNCTION
- 11.) SUFFIX P FOR P JUNCTION
- 12.) SUFFIX EN FOR ENABLE
- 13.) CLK FOR CLOCKS, RST FOR RESETS
- 14.) PWRGD FOR POWER GOOD

[PAGE_TITLE=COVER PAGE]

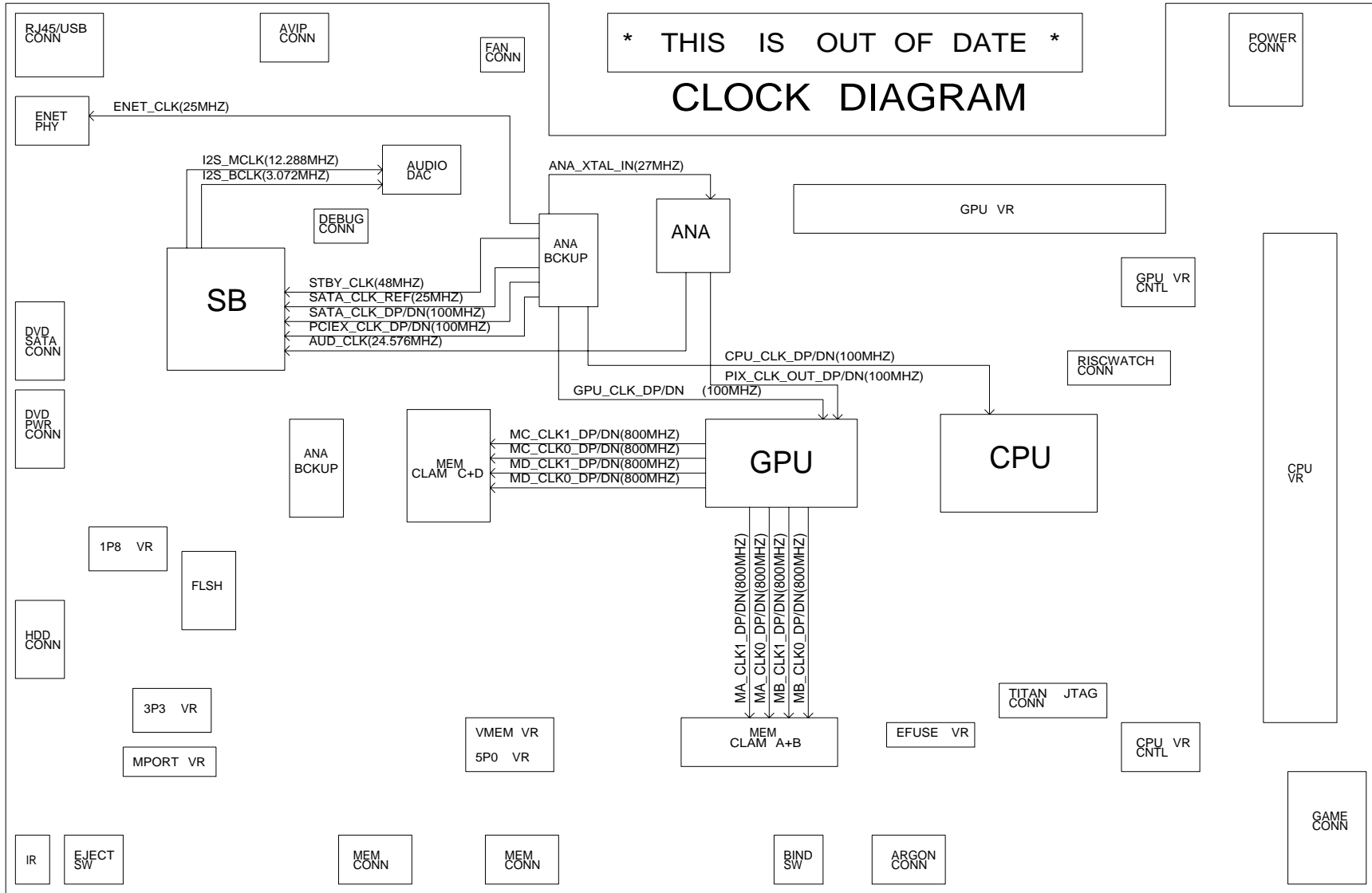
DRAWING
FALCON_FABD
Tue May 08 18:21:43 2007

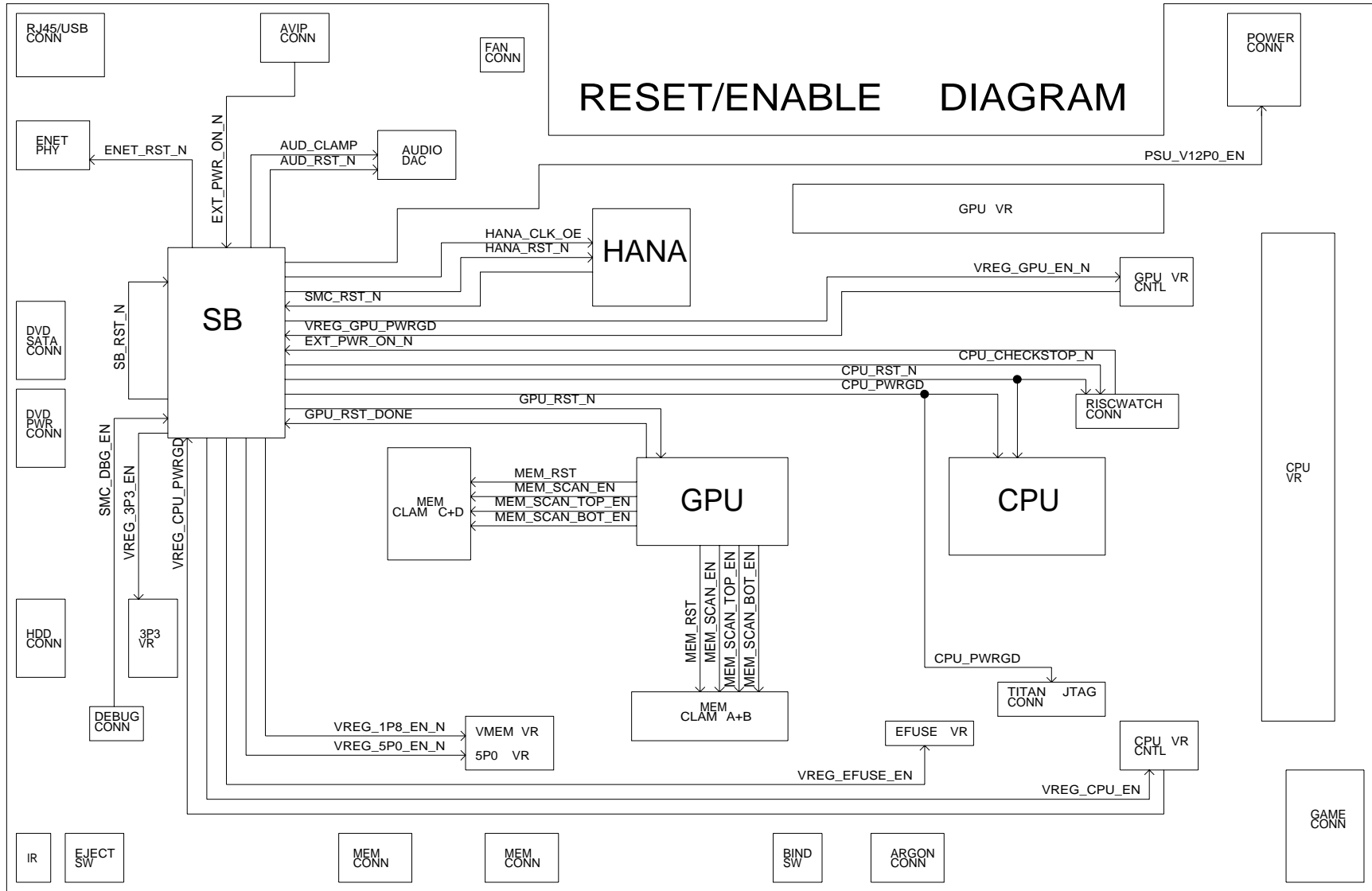
FALCON

PLEASE REFER TO THE XENON DESIGN SPEC

BOM RELEASE DATE	xxxxx06	PB NUMBER	X80XXXX-00X
SIGNATURE	DATE	MICROSOFT XBOX	
DRN BY		TITLE	
CHK BY		SCH, PBA, FALCON	
ENGR			
APVD		MICROSOFT	PROJECT NAME
APVD		CONFIDENTIAL	FALCON_RETAIL
		PAGE	REV
		1/82	1.0

* THIS IS OUT OF DATE *
CLOCK DIAGRAM





RESET/ENABLE DIAGRAM

[PAGE_TITLE=RESET/ENABLE DIAGRAM]

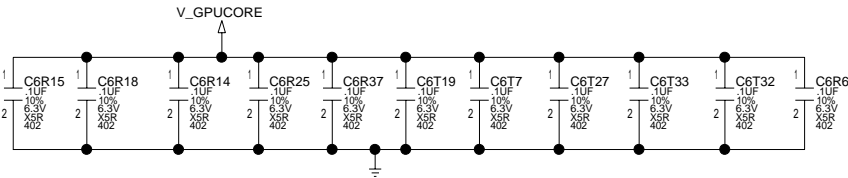
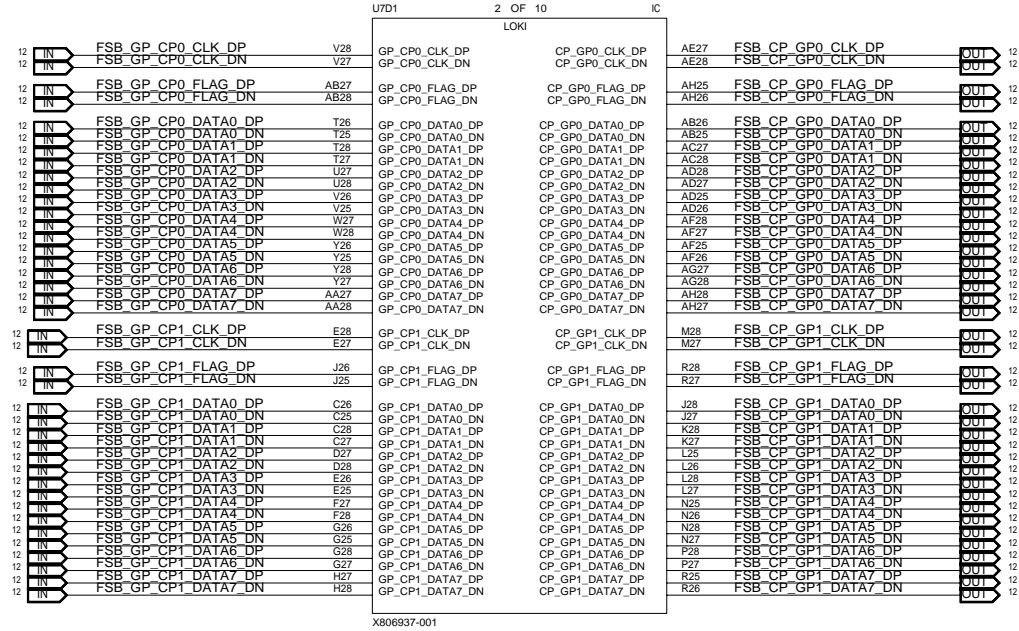
DRAWING
FALCON_FABD
Tue May 08 11:47:32 2007

MICROSOFT
CONFIDENTIAL

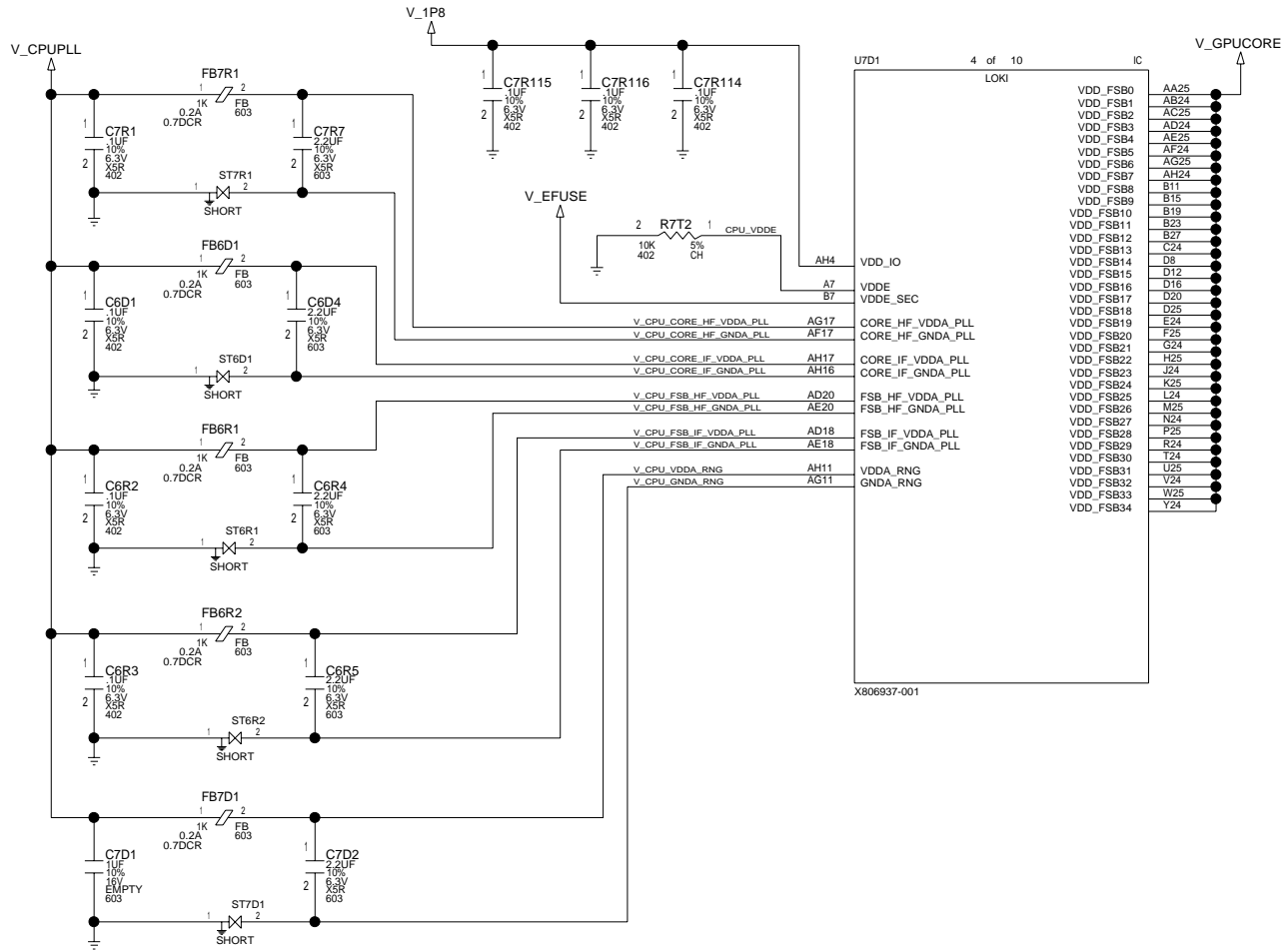
PROJECT NAME
FALCON_RETAIL

PAGE 3/82
REV 1.0

CPU, FSB



CPU, FSB POWER + PLL POWER

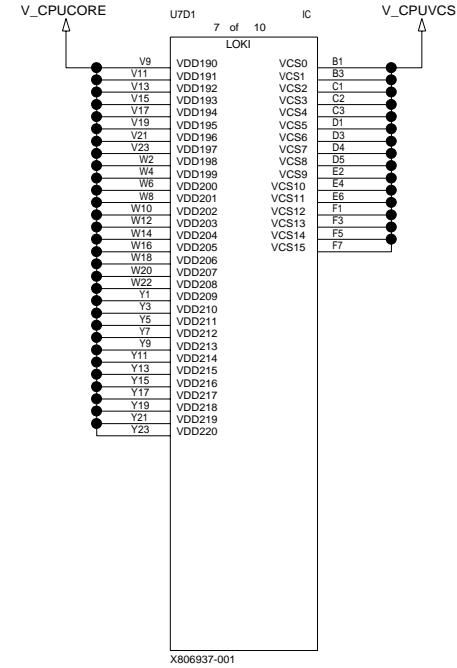
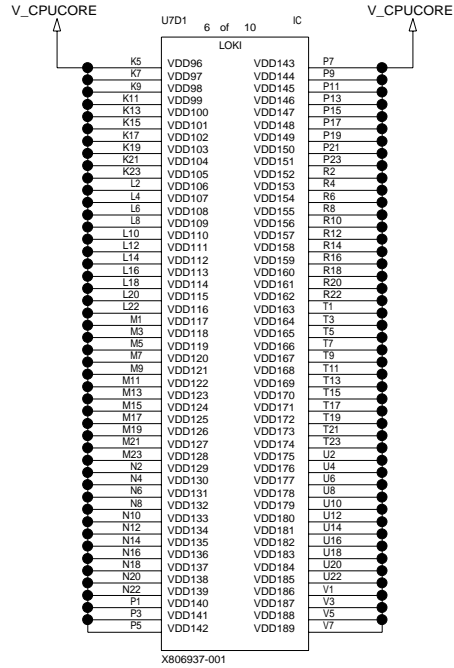
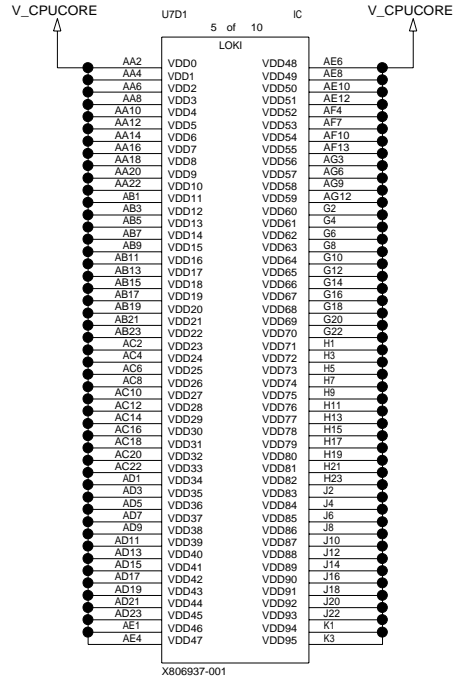


[PAGE_TITLE=CPU, FSB POWER + PLL POWER]

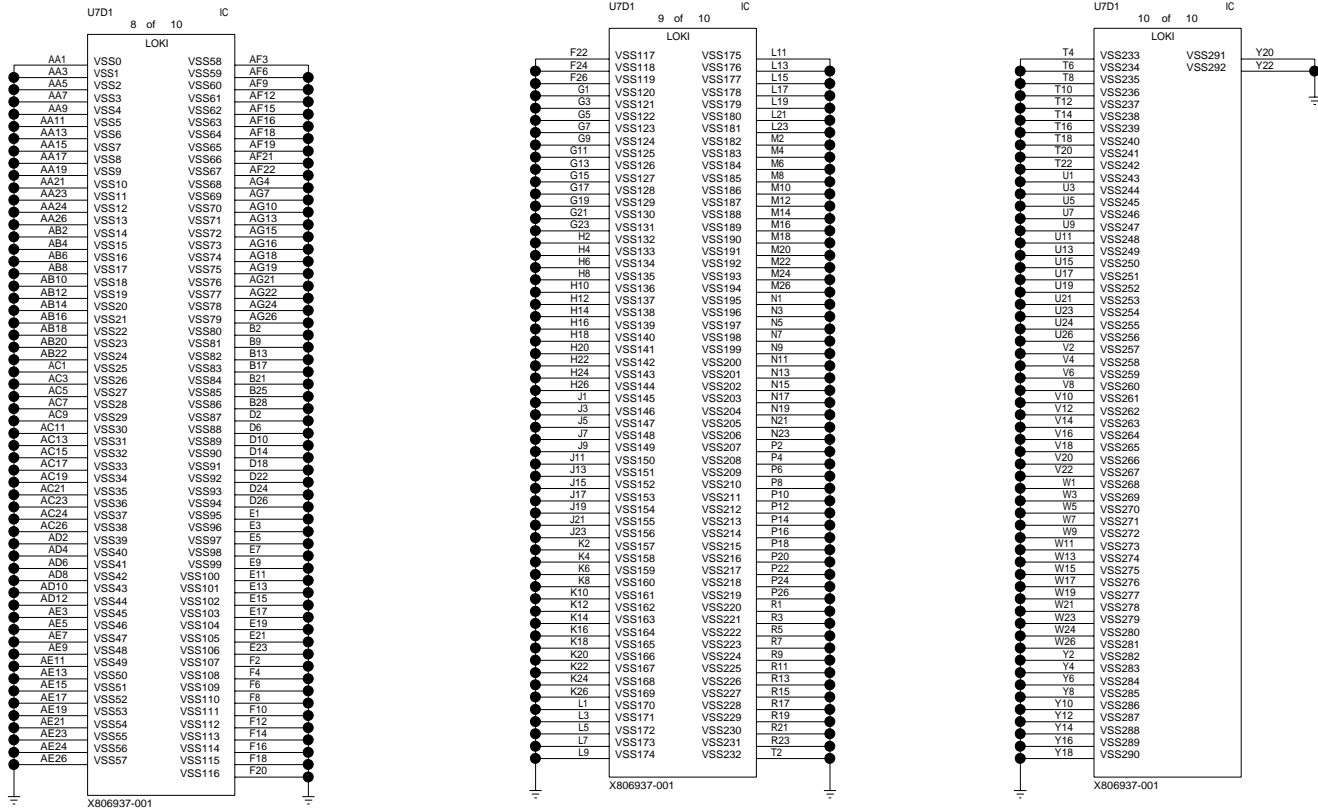
DRAWING
FALCON_FABD
Tue May 08 18:24:09 2007

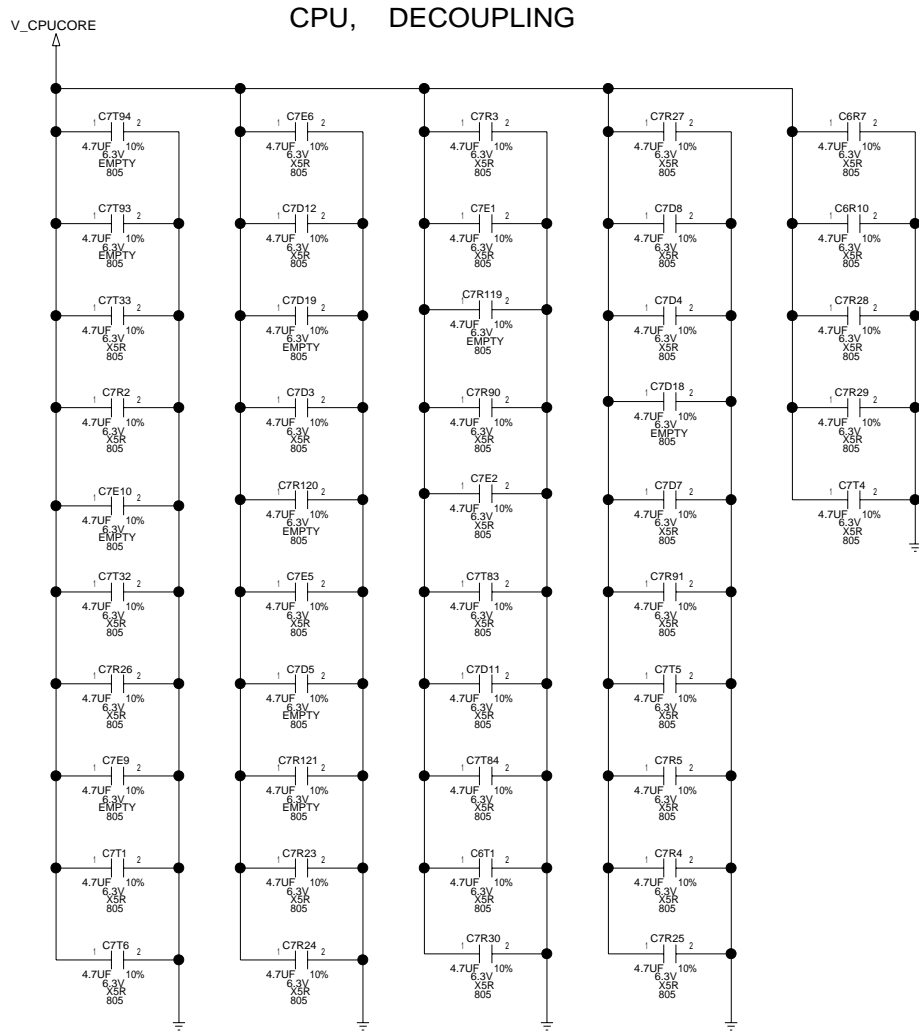
MICROSOFT CONFIDENTIAL	PROJECT NAME FALCON_RETAIL	PAGE 6/82	REV 1.0
---------------------------	-------------------------------	--------------	------------

CPU, CORE POWER



CPU, POWER

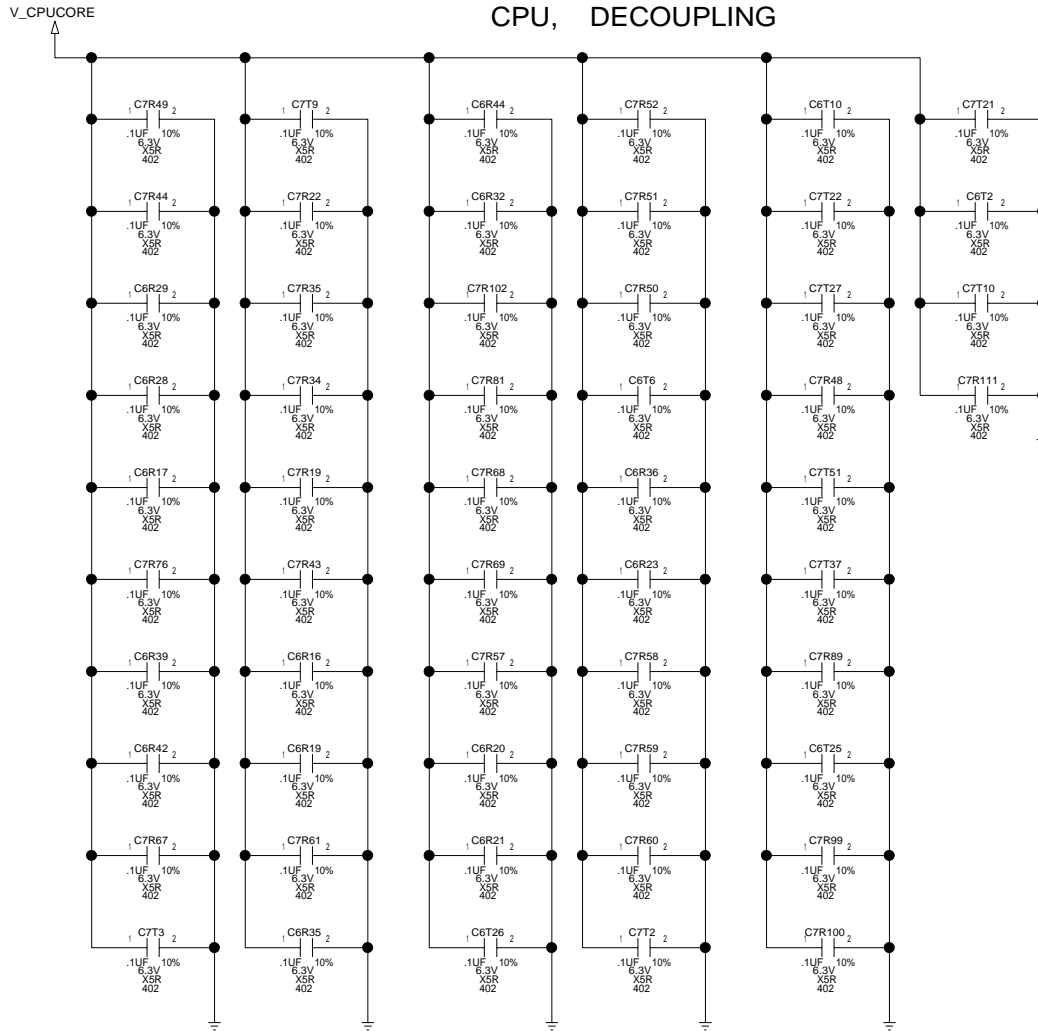




[PAGE_TITLE=CPU, DECOUPLING]

DRAWING
FALCON_FABD
Tue May 08 18:24:11 2007

MICROSOFT CONFIDENTIAL	PROJECT NAME FALCON_RETAIL	PAGE 9/82	REV 1.0
---------------------------	-------------------------------	--------------	------------

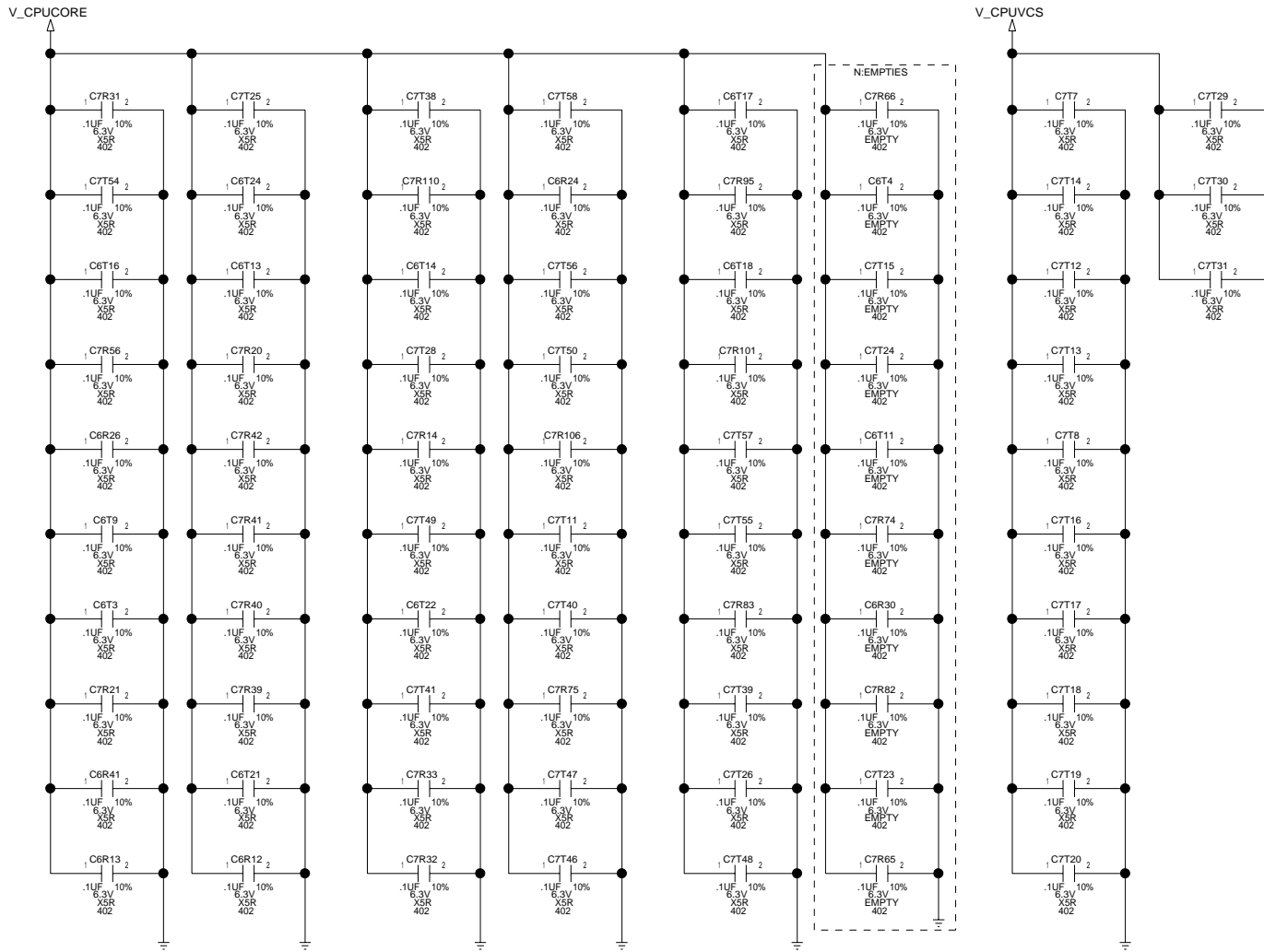


[PAGE_TITLE=CPU, DECOUPLING]

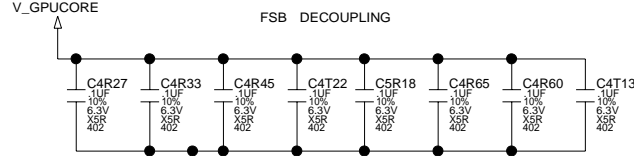
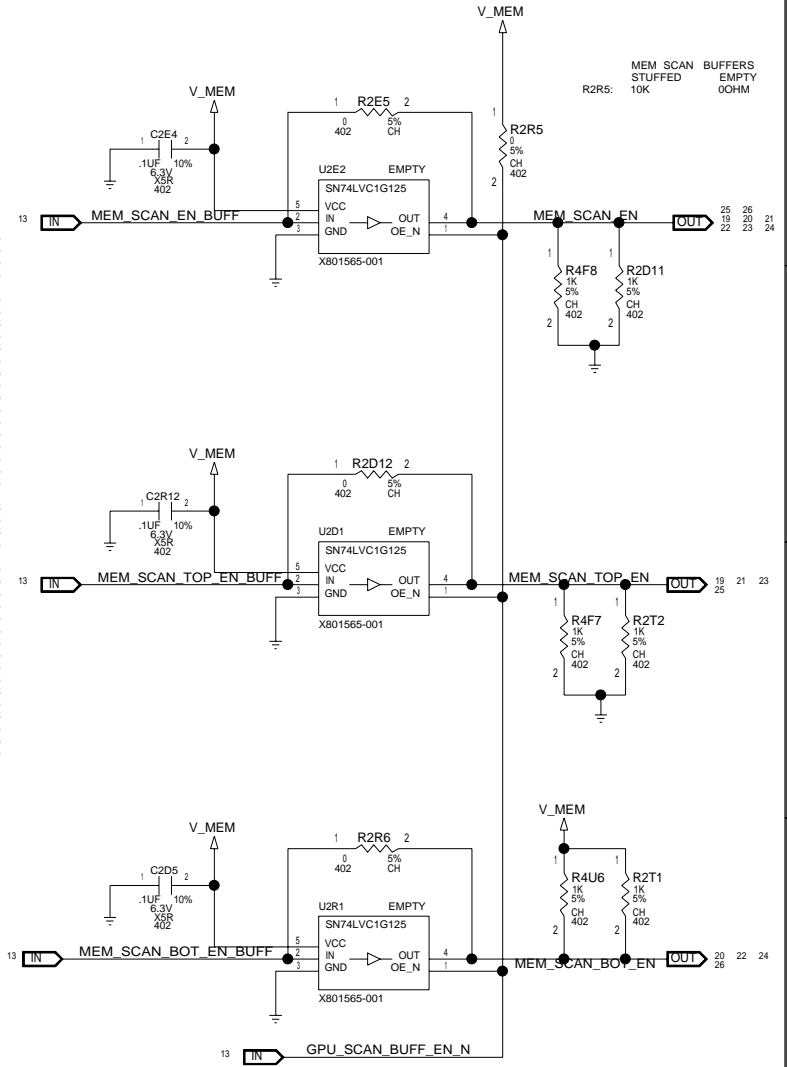
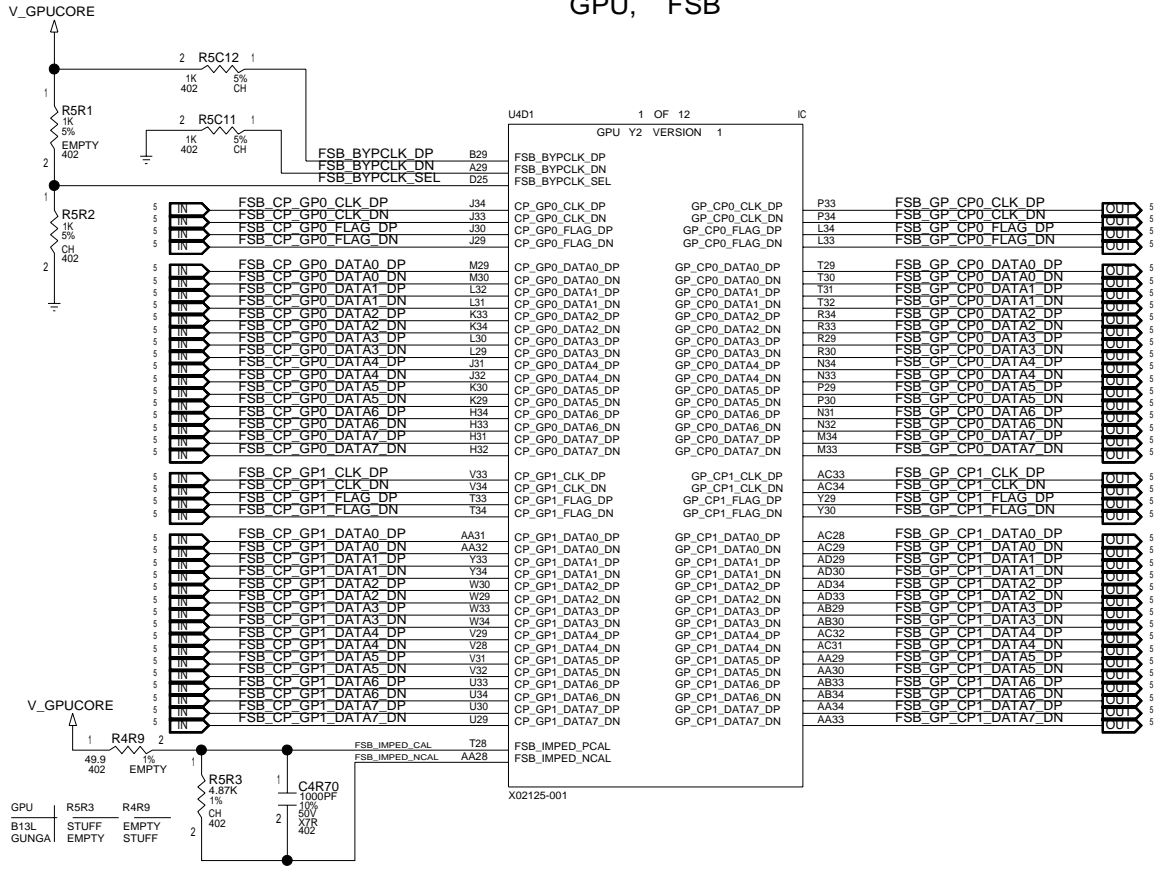
DRAWING
FALCON_FABD
Tue May 08 18:24:11 2007

MICROSOFT CONFIDENTIAL	PROJECT NAME FALCON_RETAIL	PAGE 10/82	REV 1.0
---------------------------	-------------------------------	---------------	------------

CPU, DECOUPLING



GPU, FSB



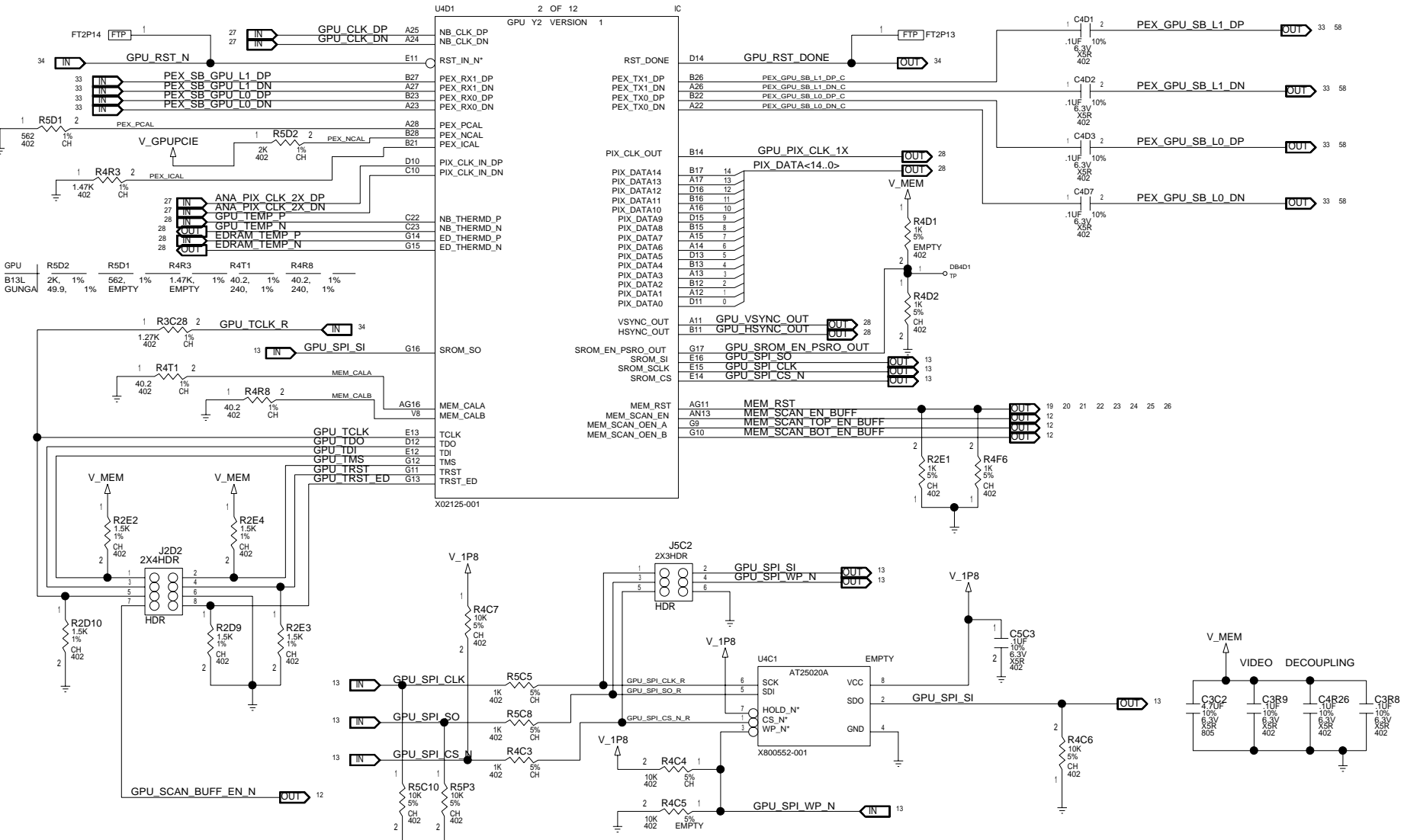
[PAGE_TITLE=GPU, FSB]

DRAWING
FALCON_FABD
Tue May 08 18:24:13 2007

MICROSOFT
CONFIDENTIAL

PROJECT NAME	FALCON_RETAIL
PAGE	12/82
REV	1.0

GPU, VIDEO + PCIEX + EEPROM + JTAG

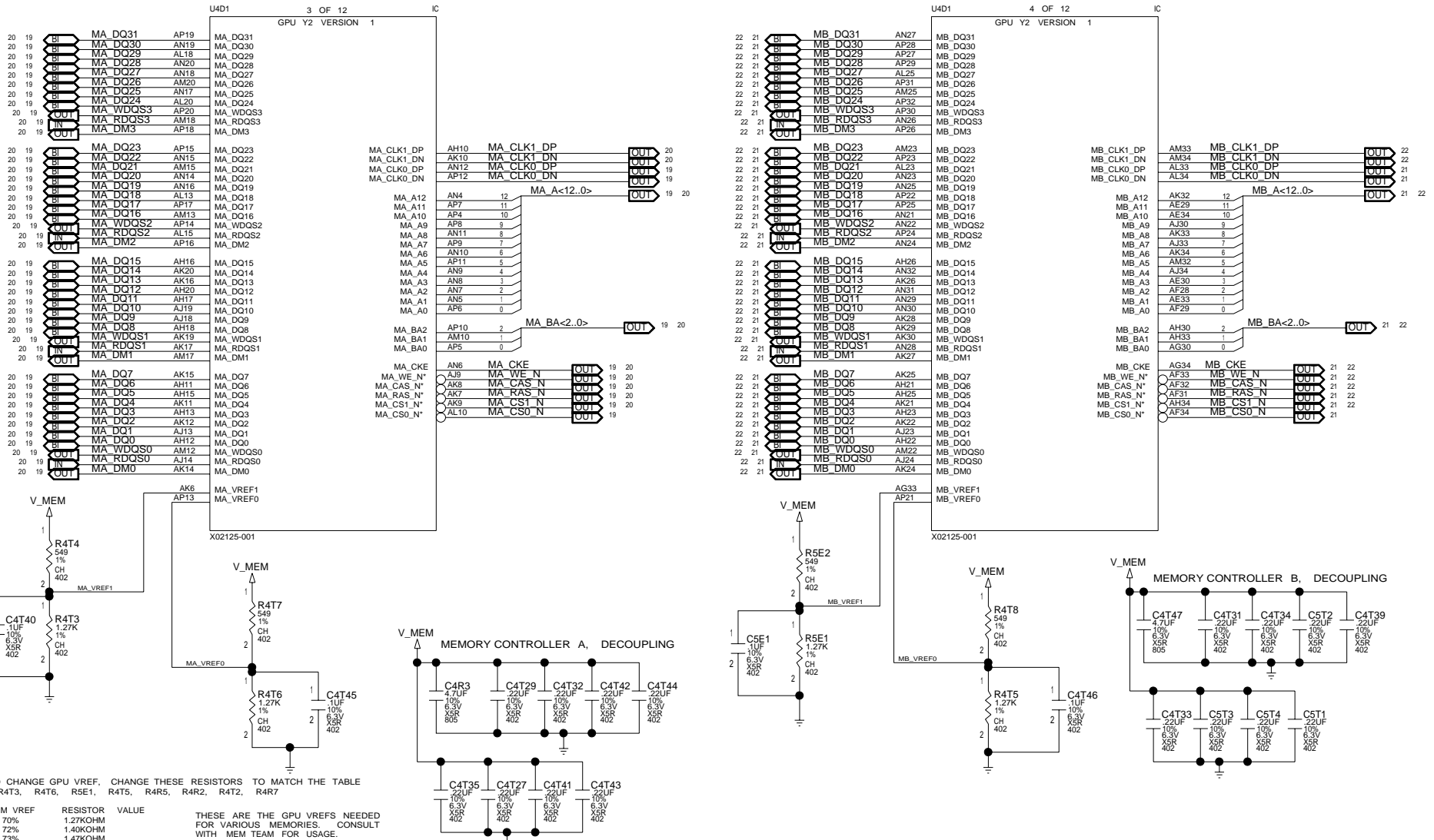


[PAGE_TITLE=GPU, VIDEO + PCIEX + EEPROM + JTAG]

DRAWING
FALCON_FABD
Tue May 08 18:24:13 2007

MICROSOFT CONFIDENTIAL	PROJECT NAME FALCON_RETAIL	PAGE 13/82	REV 1.0
---------------------------	-------------------------------	---------------	------------

GPU, MEMORY CONTROLLER 0 PARTITION A & B

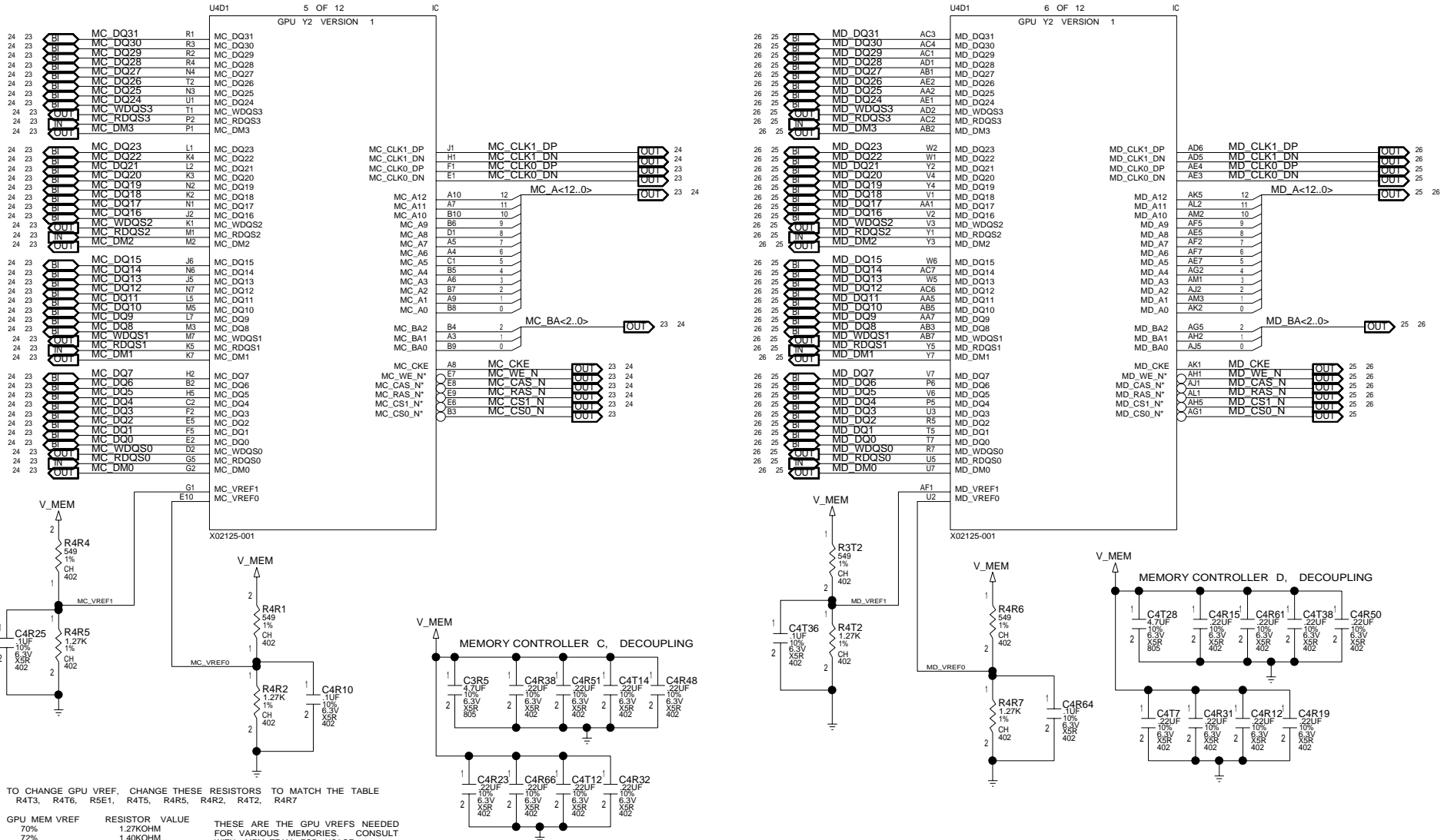


TO CHANGE GPU VREF, CHANGE THESE RESISTORS TO MATCH THE TABLE
R4T3, R4T6, R5E1, R4T5, R4R5, R4R2, R4T2, R4R7

MEM VREF	RESISTOR VALUE
70%	1.27KOHM
72%	1.40KOHM
73%	1.47KOHM
74%	1.54KOHM

THESE ARE THE GPU VREFS NEEDED FOR VARIOUS MEMORIES. CONSULT WITH MEM TEAM FOR USAGE.

GPU, MEMORY CONTROLLER 1 PARTITION C & D



TO CHANGE GPU VREF, CHANGE THESE RESISTORS TO MATCH THE TABLE
R4T3, R4T6, R5E1, R4T5, R4R5, R4R2, R4T2, R4R7

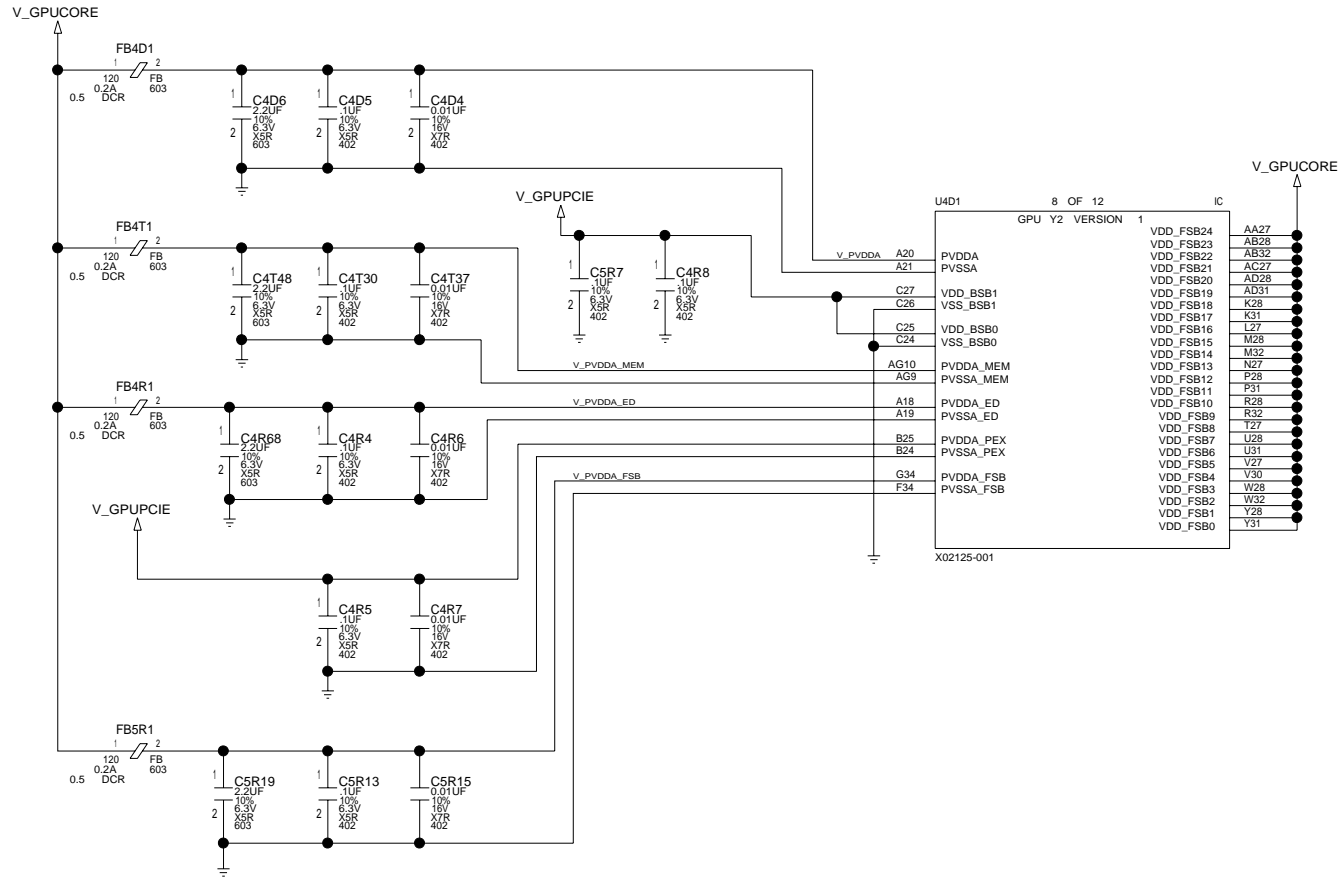
GPU MEM VREF	RESISTOR VALUE	THESE ARE THE GPU VREFS NEEDED FOR VARIOUS MEMORIES. CONSULT WITH MEM TEAM FOR USAGE.
70%	1.27KOHM	
72%	1.48KOHM	
73%	1.47KOHM	
74%	1.54KOHM	

PAGE_TITLE=[GPU, MEMORY CONTROLLER C + D]

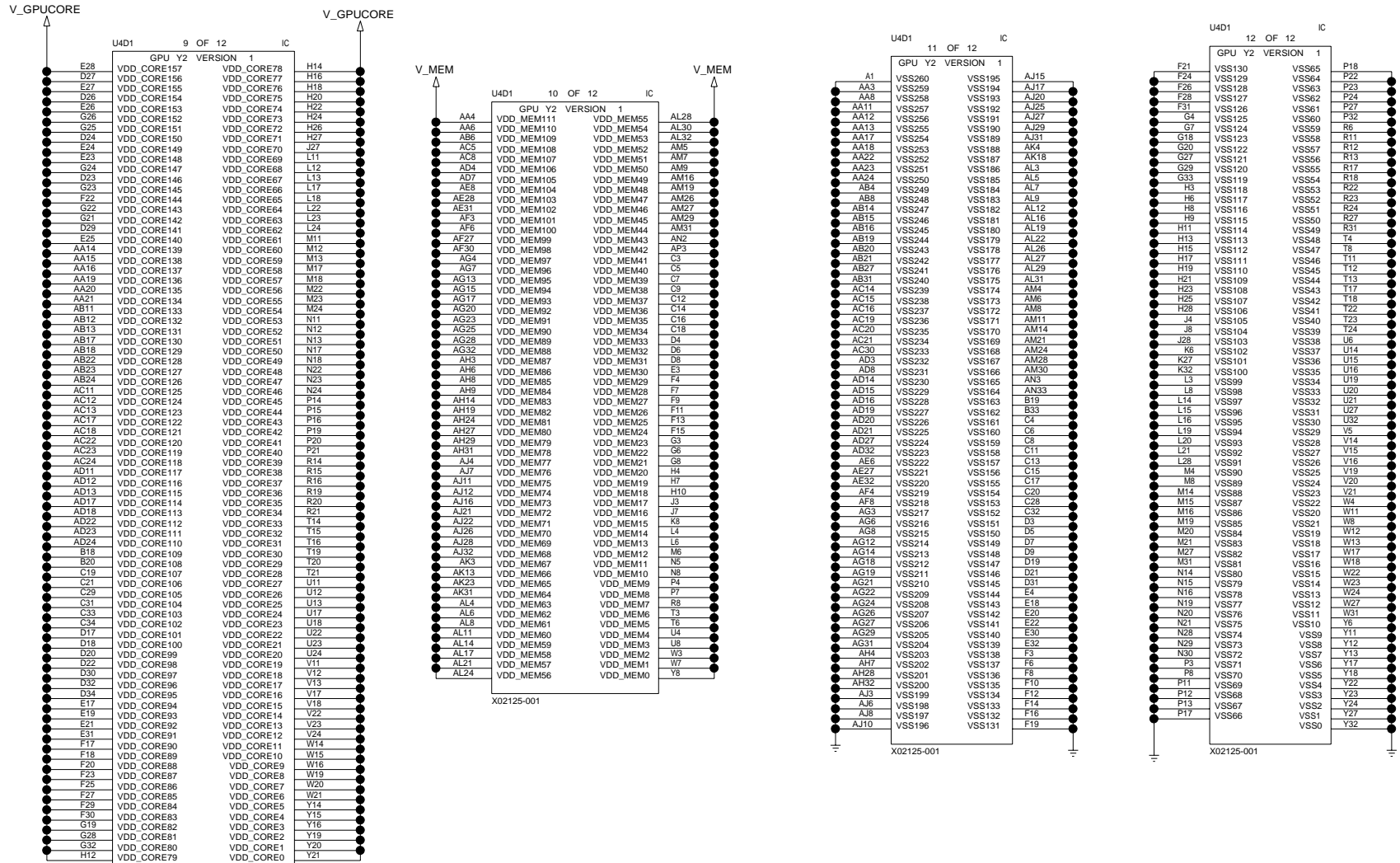
DRAWING FALCON_FABD Tue May 08 18:24:14 2007

MICROSOFT CONFIDENTIAL	PROJECT NAME FALCON_RETAIL	PAGE 15/82	REV 1.0
------------------------	----------------------------	------------	---------

GPU, PLL POWER + FSB POWER



GPU, CORE POWER + MEM POWER



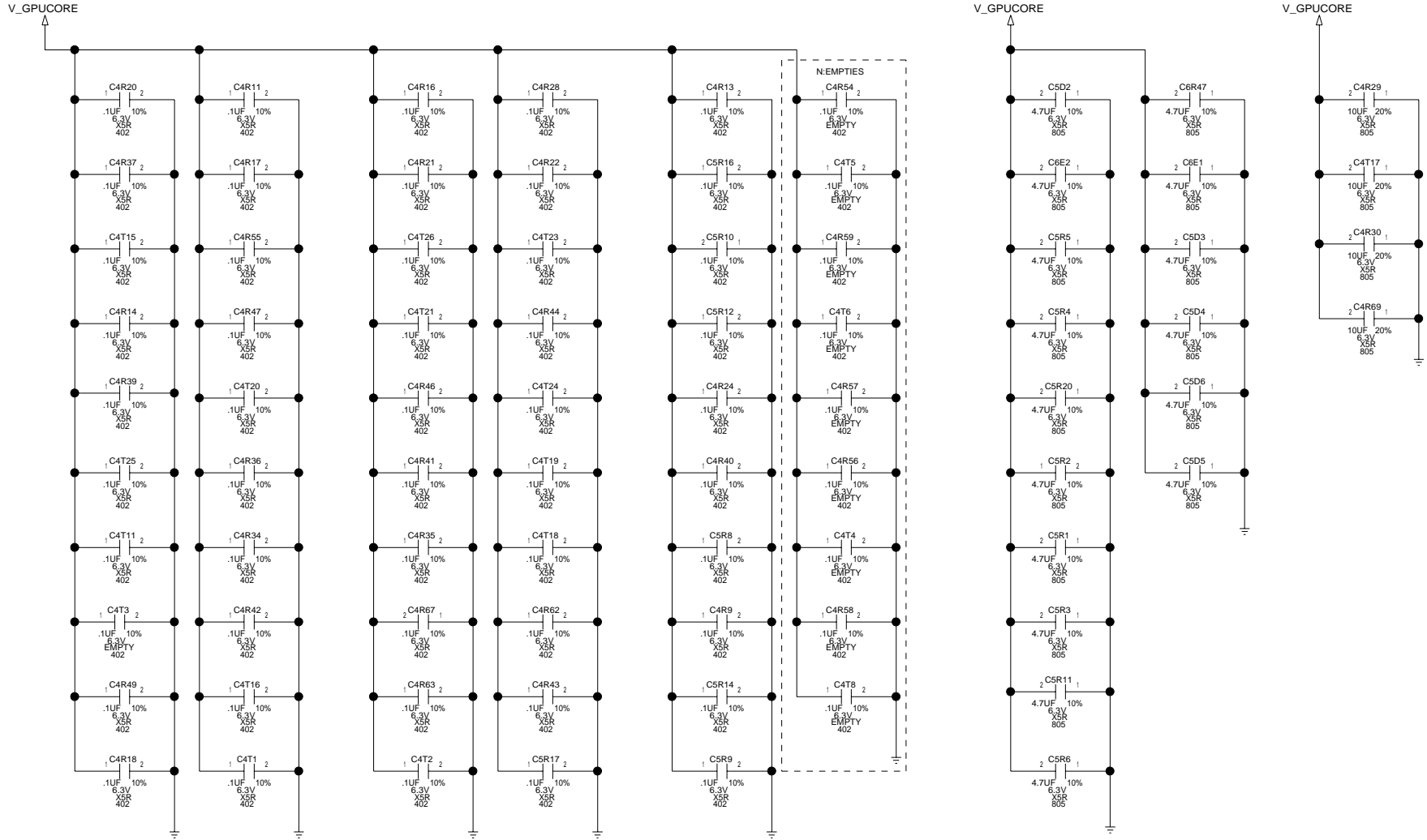
[PAGE_TITLE=GPU, CORE POWER + MEM POWER]

DRAWING XENON_FABK Tue May 08 18:24:14

2007

MICROSOFT CONFIDENTIAL	PROJECT NAME FALCON_RETAIL	PAGE 17/82	REV 1.0
------------------------	----------------------------	------------	---------

GPU, DECOUPLING



[PAGE_TITLE=GPU, DECOUPLING]

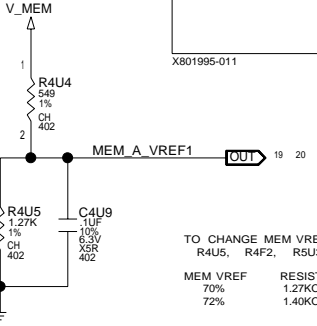
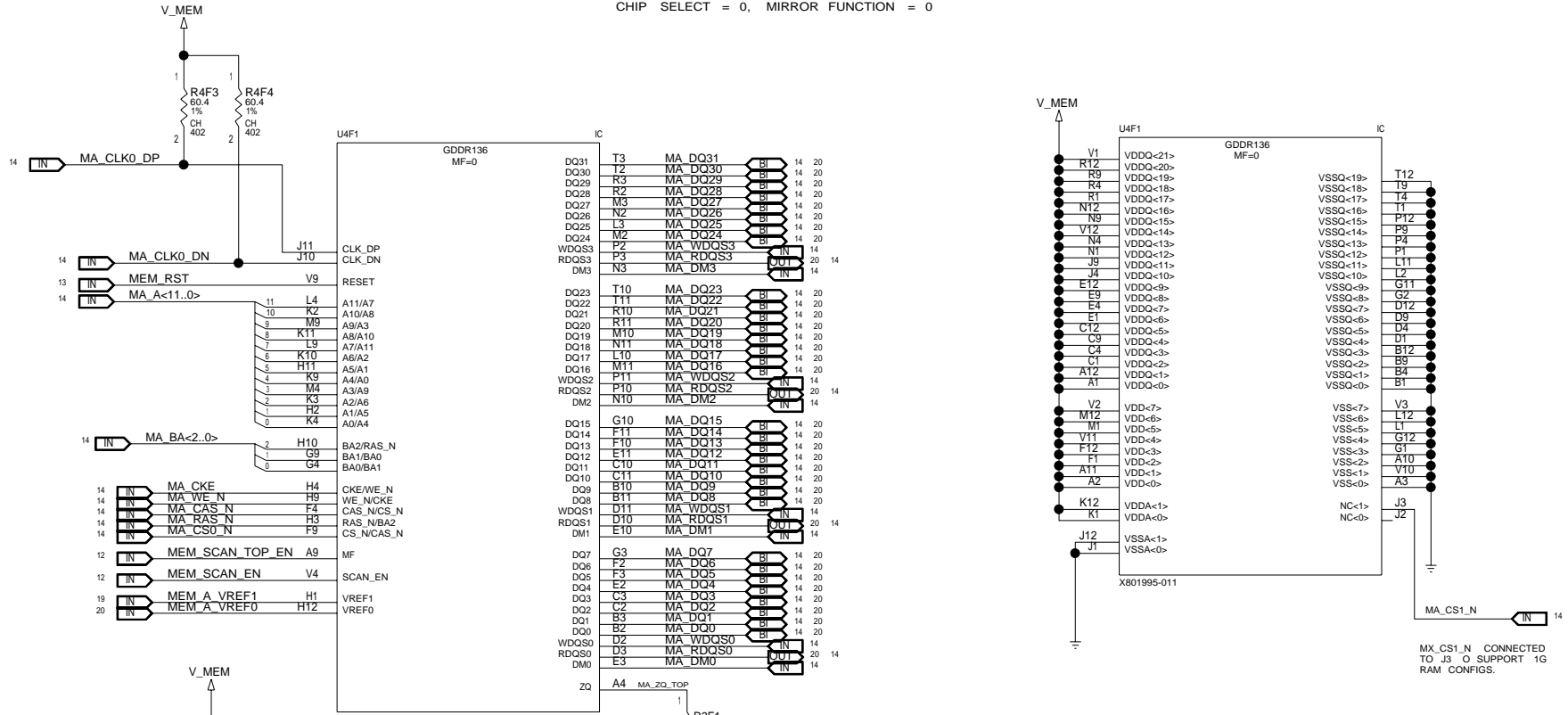
DRAWING
FALCON_FABD
Tue May 08 18:24:14

2007

MICROSOFT CONFIDENTIAL	PROJECT NAME FALCON_RETAIL	PAGE 18/82	REV 1.0
---------------------------	-------------------------------	---------------	------------

MEMORY PARTITION A, TOP

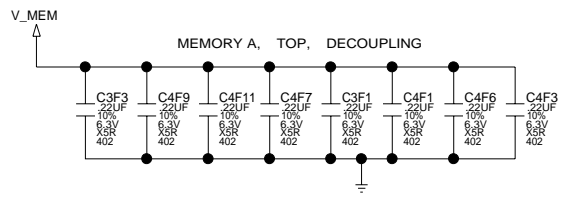
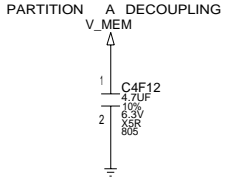
CHIP SELECT = 0, MIRROR FUNCTION = 0



TO CHANGE MEM VREF, CHANGE THESE RESISTORS TO MATCH THE TABLE
 R4U5, R4F2, R5U3, R5F2, R2R2, R3D2, R2T3, R3E2

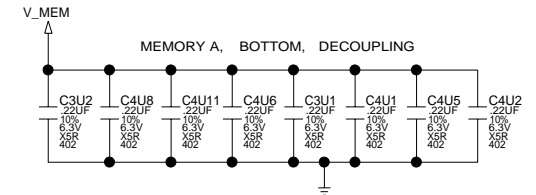
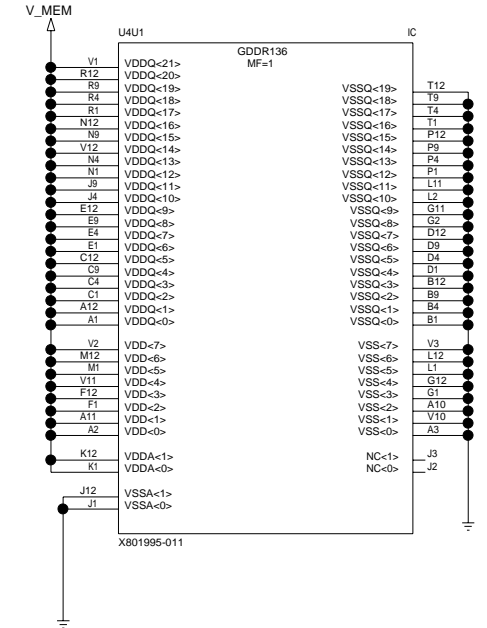
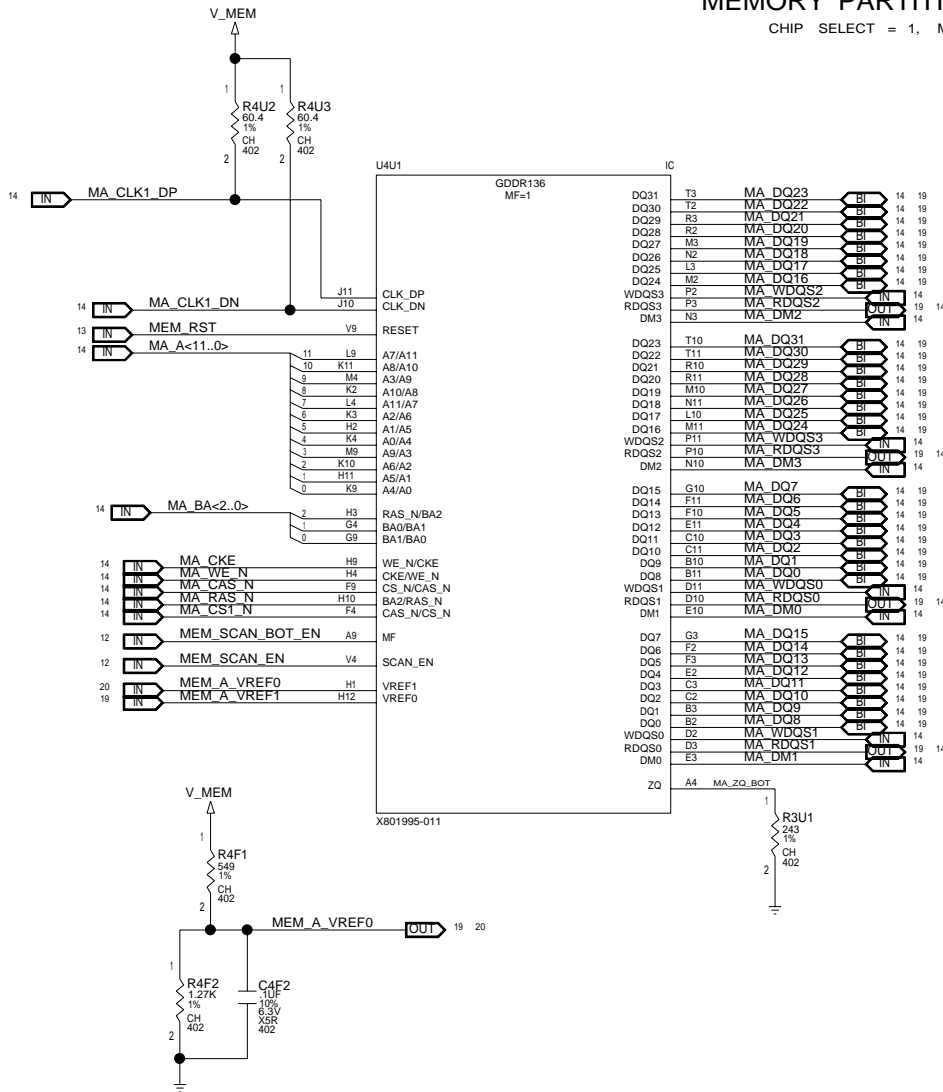
MEM VREF	RESISTOR VALUE
70%	1.27KOHM
72%	1.40KOHM

THESE ARE THE MEM VREFS NEEDED FOR VARIOUS MEMORIES. CONSULT WITH MEM TEAM FOR USAGE.



MEMORY PARTITION A, BOTTOM

CHIP SELECT = 1, MIRROR FUNCTION = 1



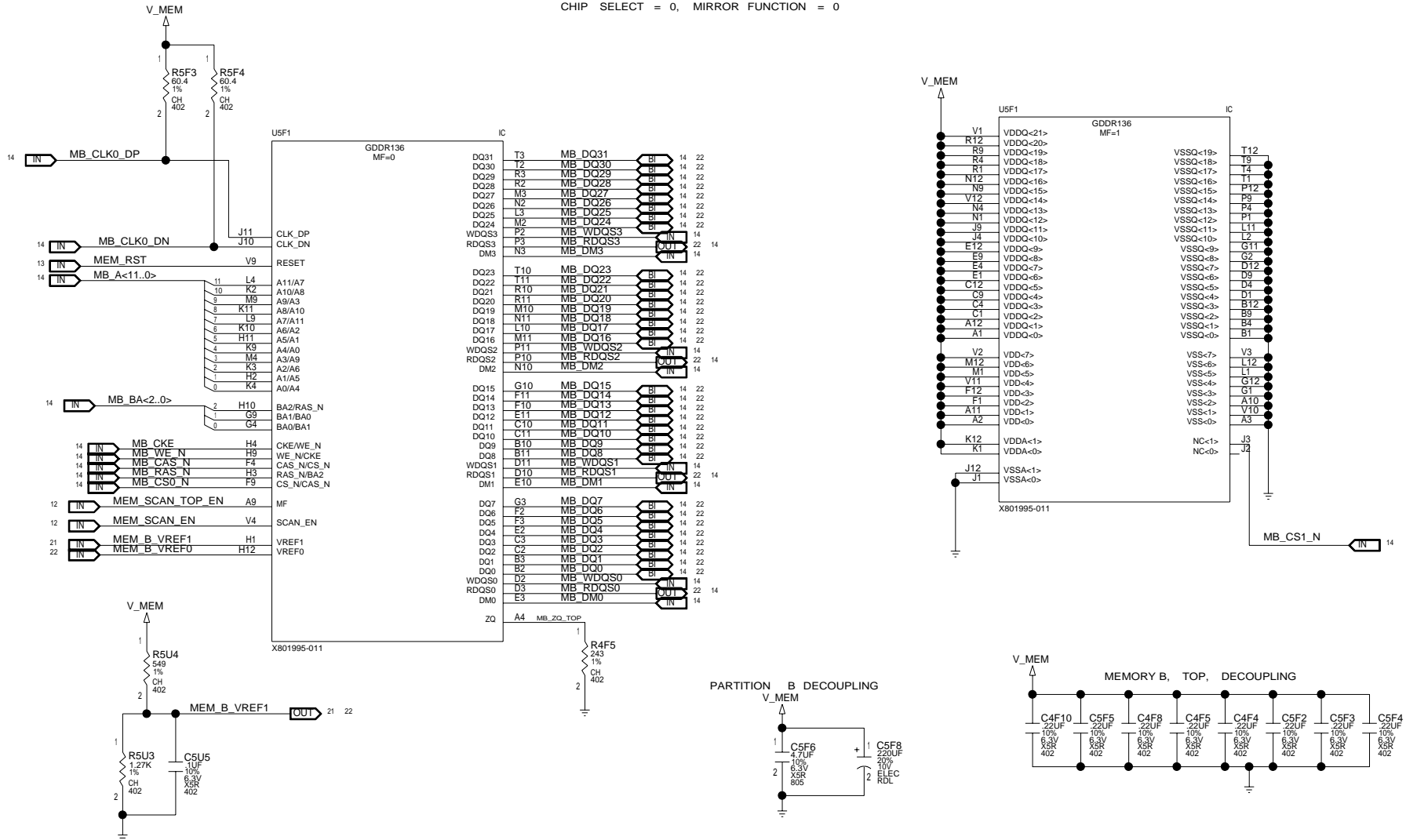
[PAGE_TITLE=MEMORY PARTITION A, TOP]

DRAWING
FALCON_FABD
Tue May 08 18:24:15 2007

MICROSOFT CONFIDENTIAL	PROJECT NAME FALCON_RETAIL	PAGE 20/82	REV 1.0
---------------------------	-------------------------------	---------------	------------

MEMORY PARTITION B, TOP

CHIP SELECT = 0, MIRROR FUNCTION = 0



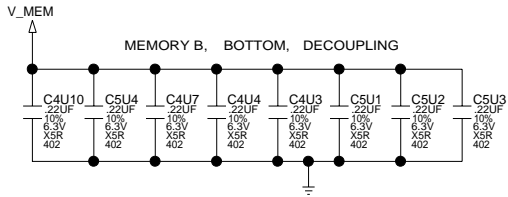
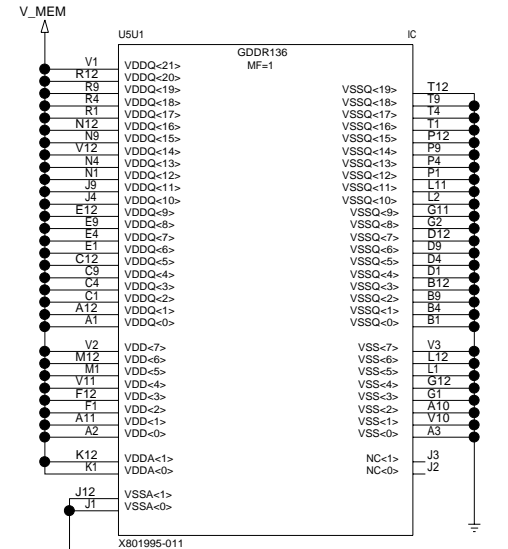
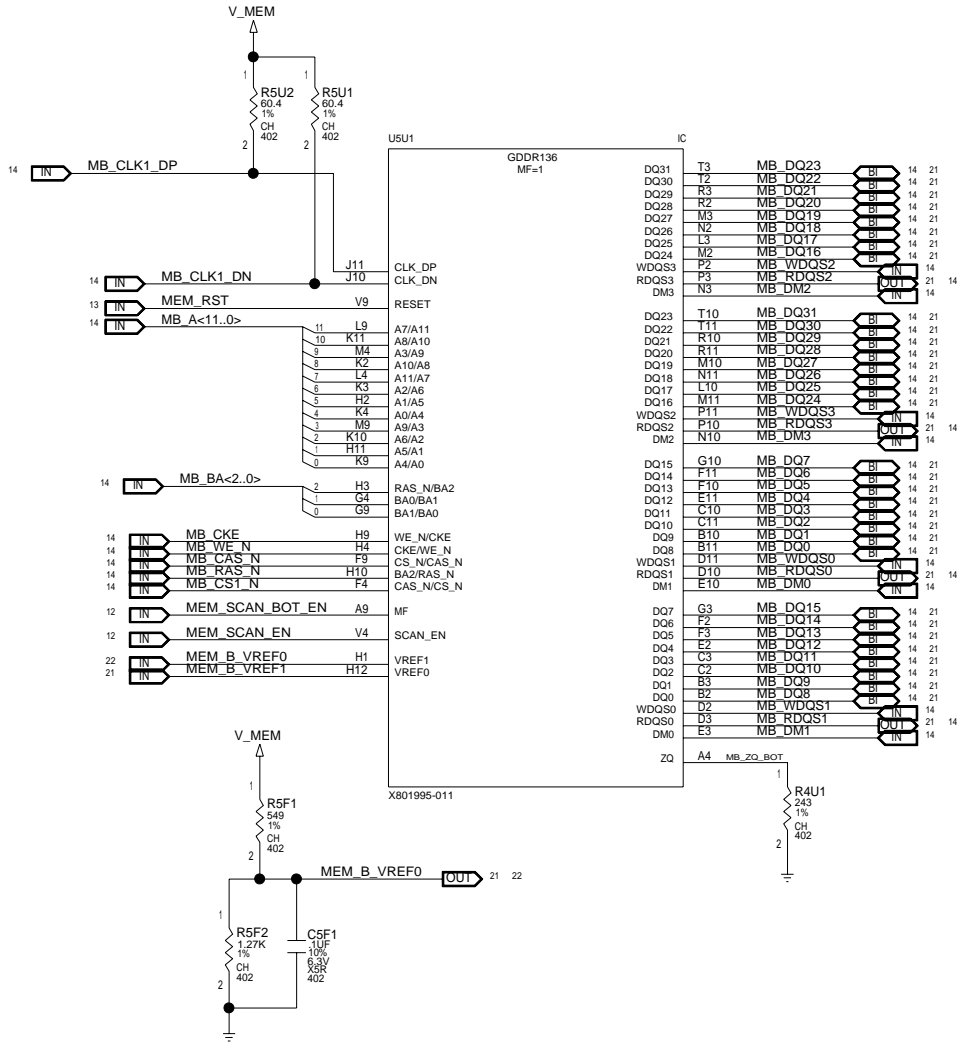
[PAGE_TITLE=MEMORY PARTITION A, BOTTOM]

DRAWING
FALCON_FABD
Tue May 08 18:24:15 2007

MICROSOFT CONFIDENTIAL	PROJECT NAME FALCON_RETAIL	PAGE 21/82	REV 1.0
---------------------------	-------------------------------	---------------	------------

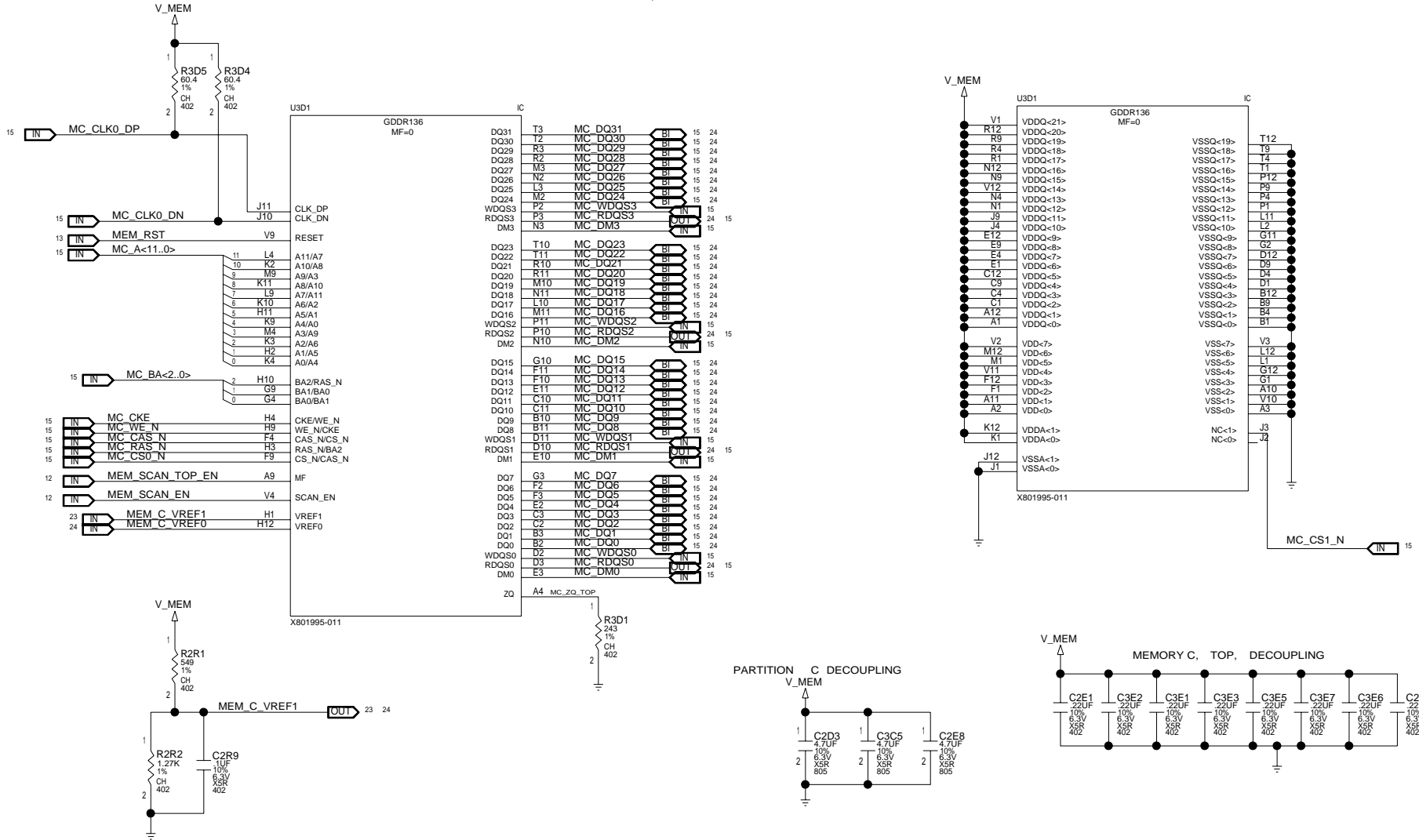
MEMORY PARTITION B, BOTTOM

CHIP SELECT = 1, MIRROR FUNCTION = 1



MEMORY PARTITION C, TOP

CHIP SELECT = 0, MIRROR FUNCTION = 0



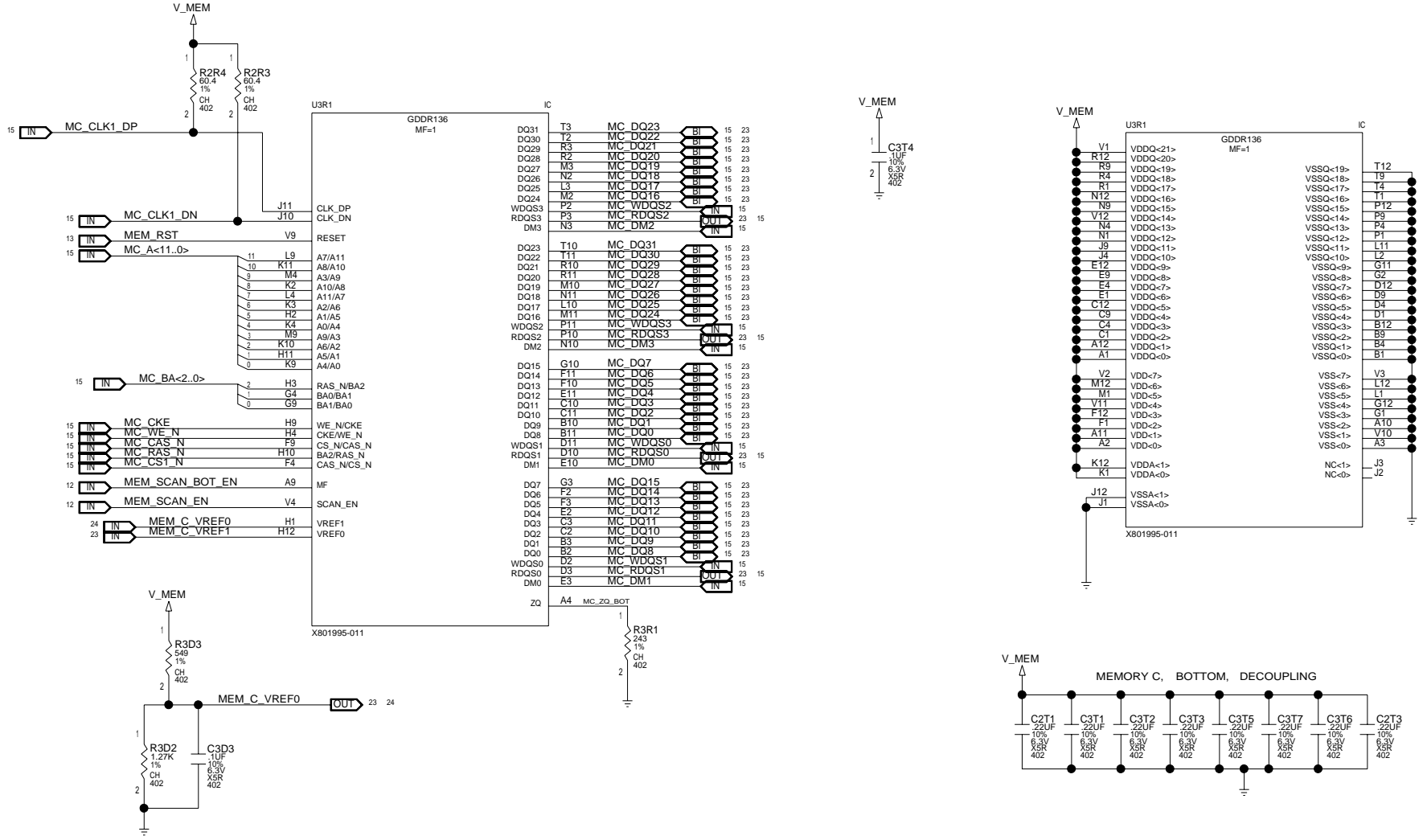
[PAGE_TITLE=MEMORY PARTITION B, BOTTOM]

DRAWING
FALCON_FABD
Tue May 08 18:24:15 2007

MICROSOFT CONFIDENTIAL	PROJECT NAME FALCON_RETAIL	PAGE 23/82	REV 1.0
---------------------------	-------------------------------	---------------	------------

MEMORY PARTITION C, BOTTOM

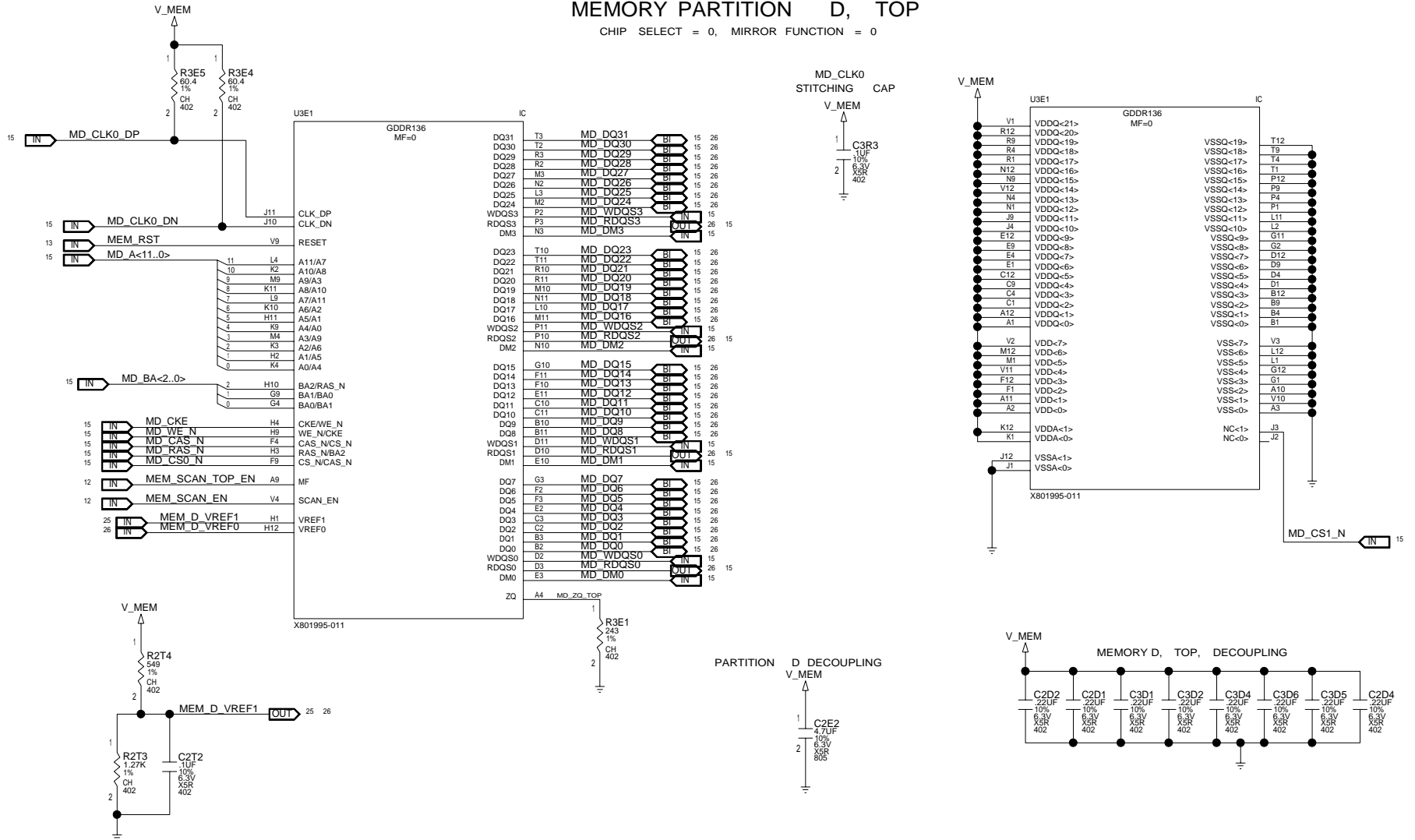
CHIP SELECT = 1, MIRROR FUNCTION = 1



[PAGE_TITLE=MEMORY PARTITION C, TOP]

MEMORY PARTITION D, TOP

CHIP SELECT = 0, MIRROR FUNCTION = 0



[PAGE_TITLE=MEMORY PARTITION C, BOTTOM]

DRAWING
FALCON_FABD
Tue May 08 18:24:15 2007

MICROSOFT CONFIDENTIAL	PROJECT NAME FALCON_RETAIL	PAGE 25/82	REV 1.0
---------------------------	-------------------------------	---------------	------------

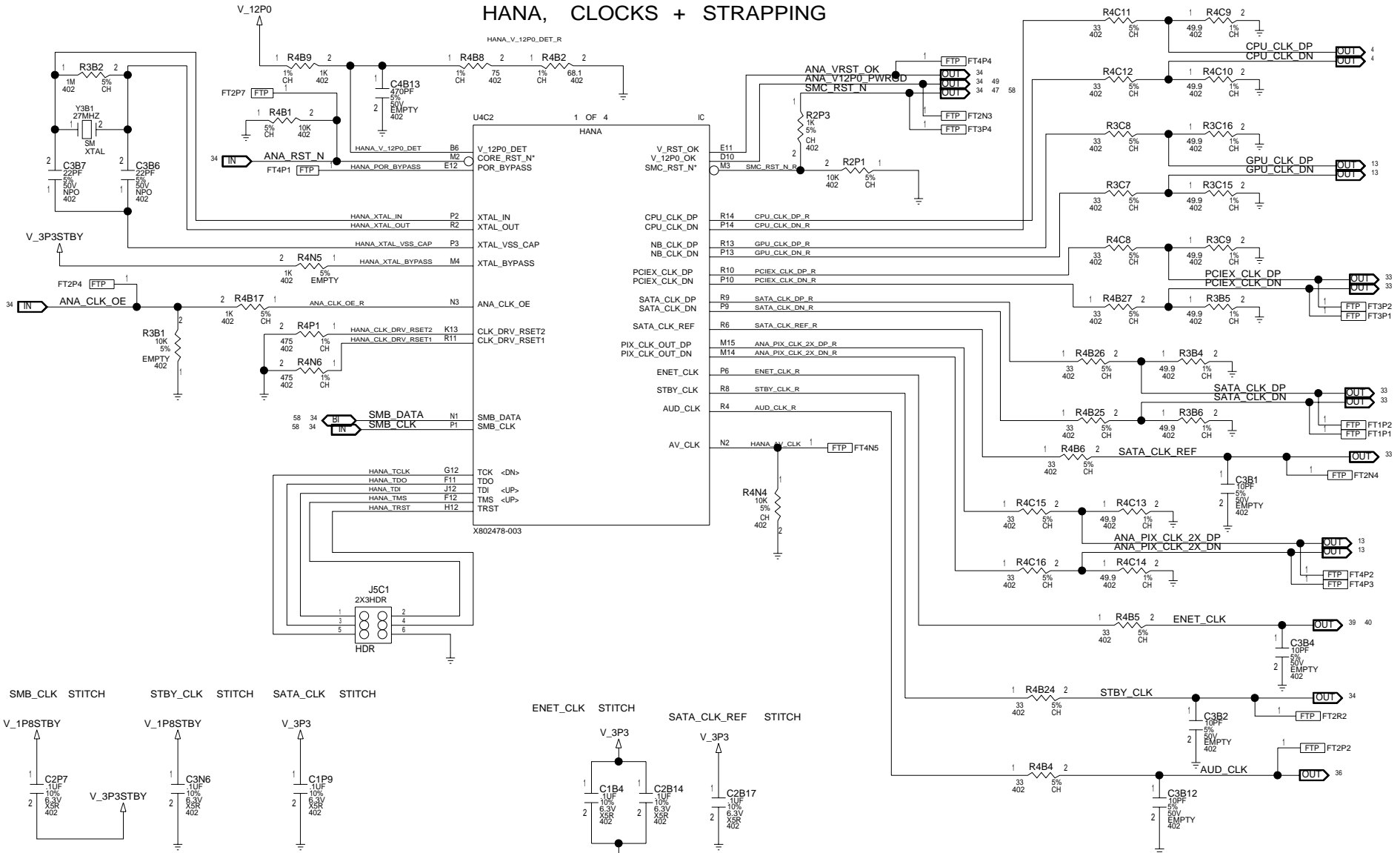
MEMORY PARTITION D, BOTTOM

CHIP SELECT = 1, MIRROR FUNCTION = 1



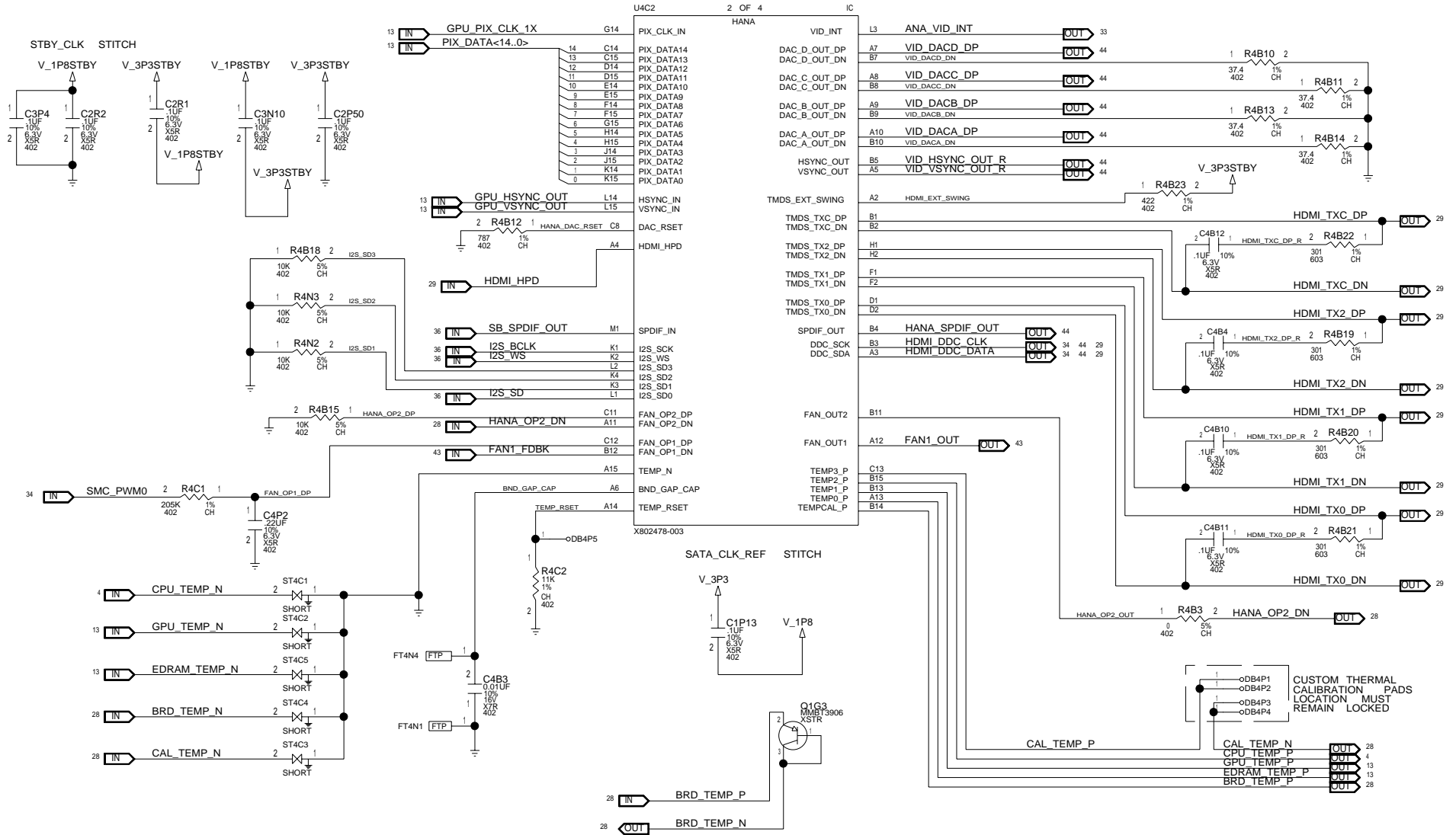
[PAGE_TITLE=MEMORY PARTITION D, BOTTOM]

HANA, CLOCKS + STRAPPING



[PAGE_TITLE=HANA, CLOCKS + STRAPPING]

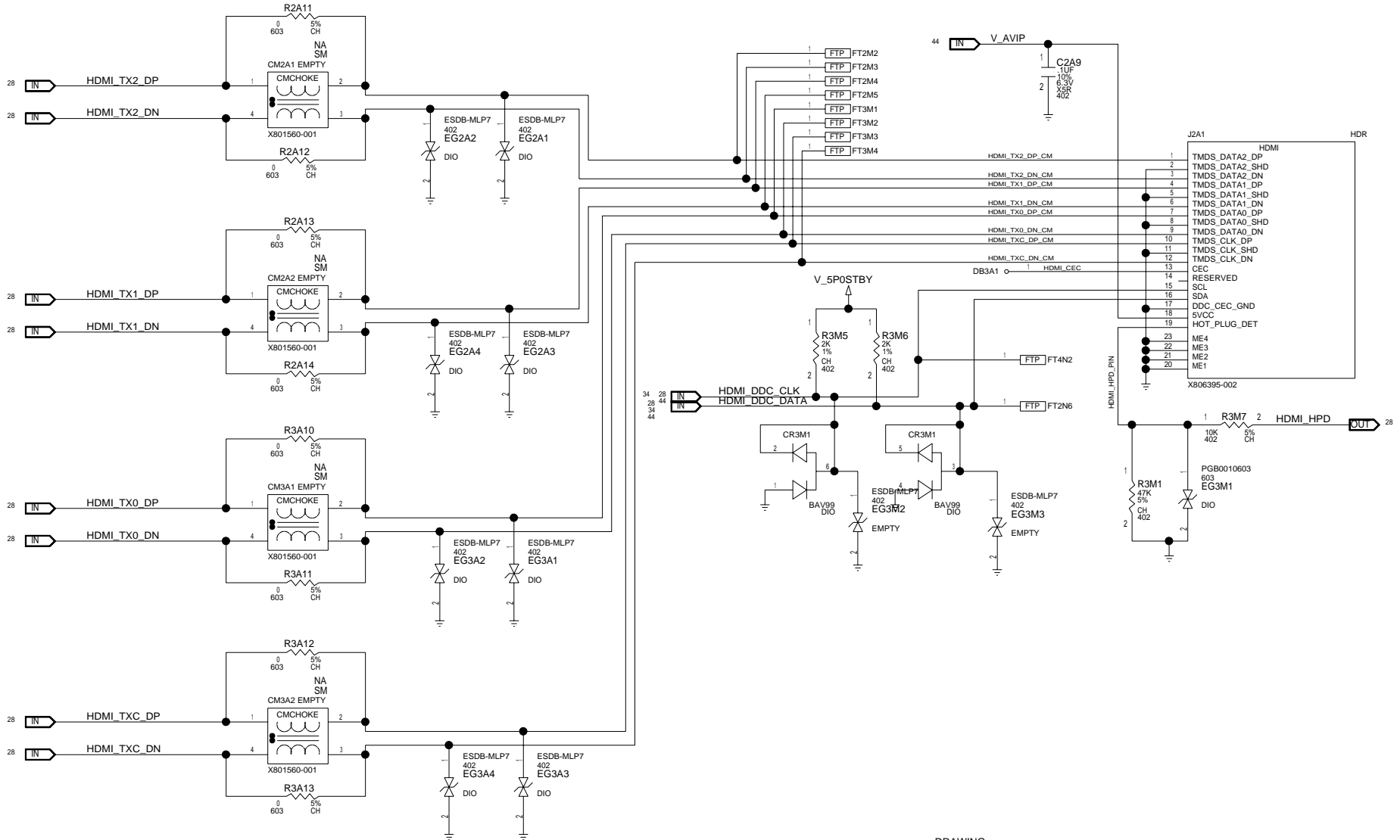
HANA, VIDEO + FAN + JTAG



[PAGE_TITLE=HANA, VIDEO + FAN + JTAG]

DRAWING
FALCON_FABD
Tue May 08 18:24:16 2007

MICROSOFT CONFIDENTIAL	PROJECT NAME FALCON_RETAIL	PAGE 28/82	REV 1.0
---------------------------	-------------------------------	---------------	------------

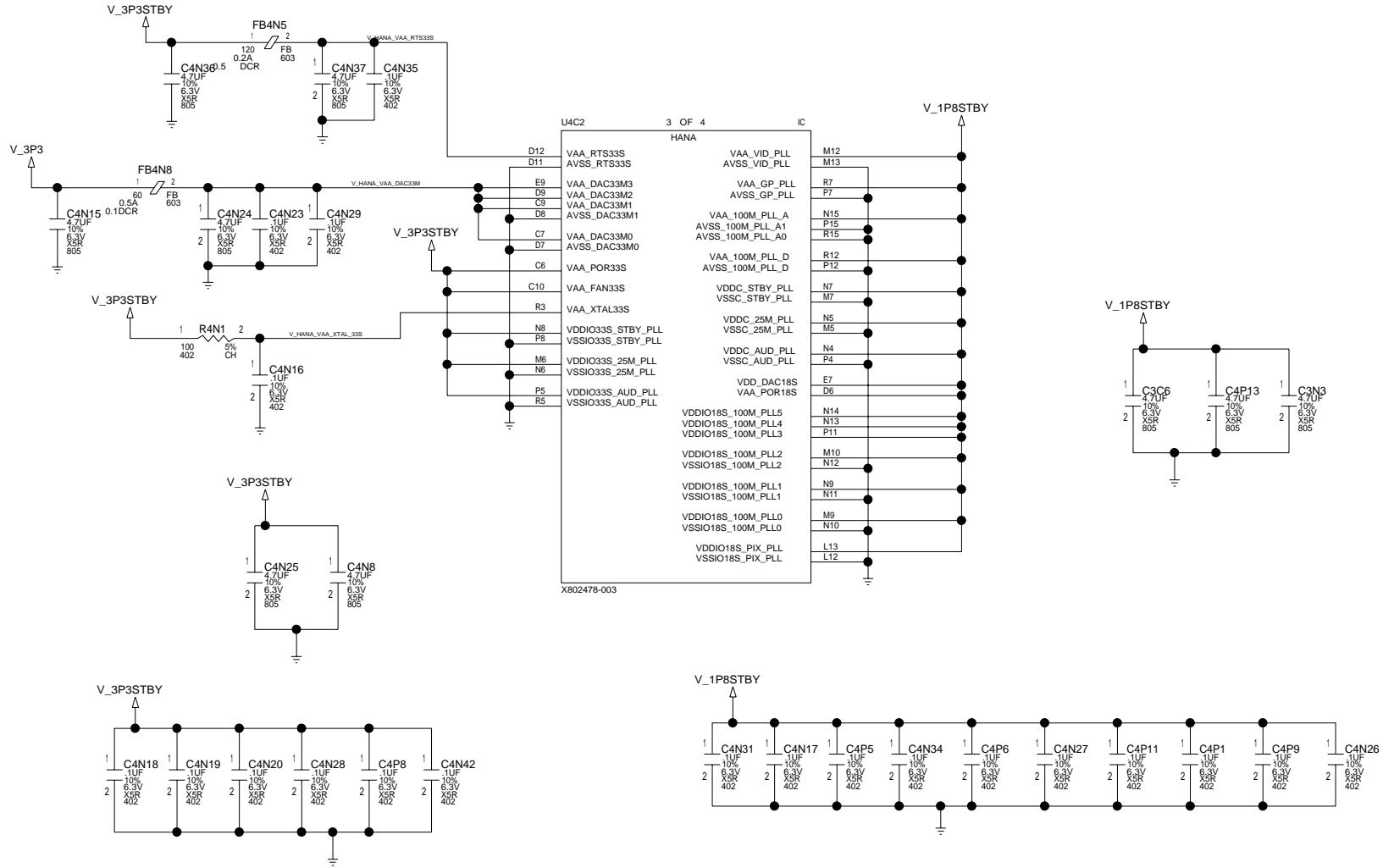


[PAGE_TITLE=CONN, HDMI]

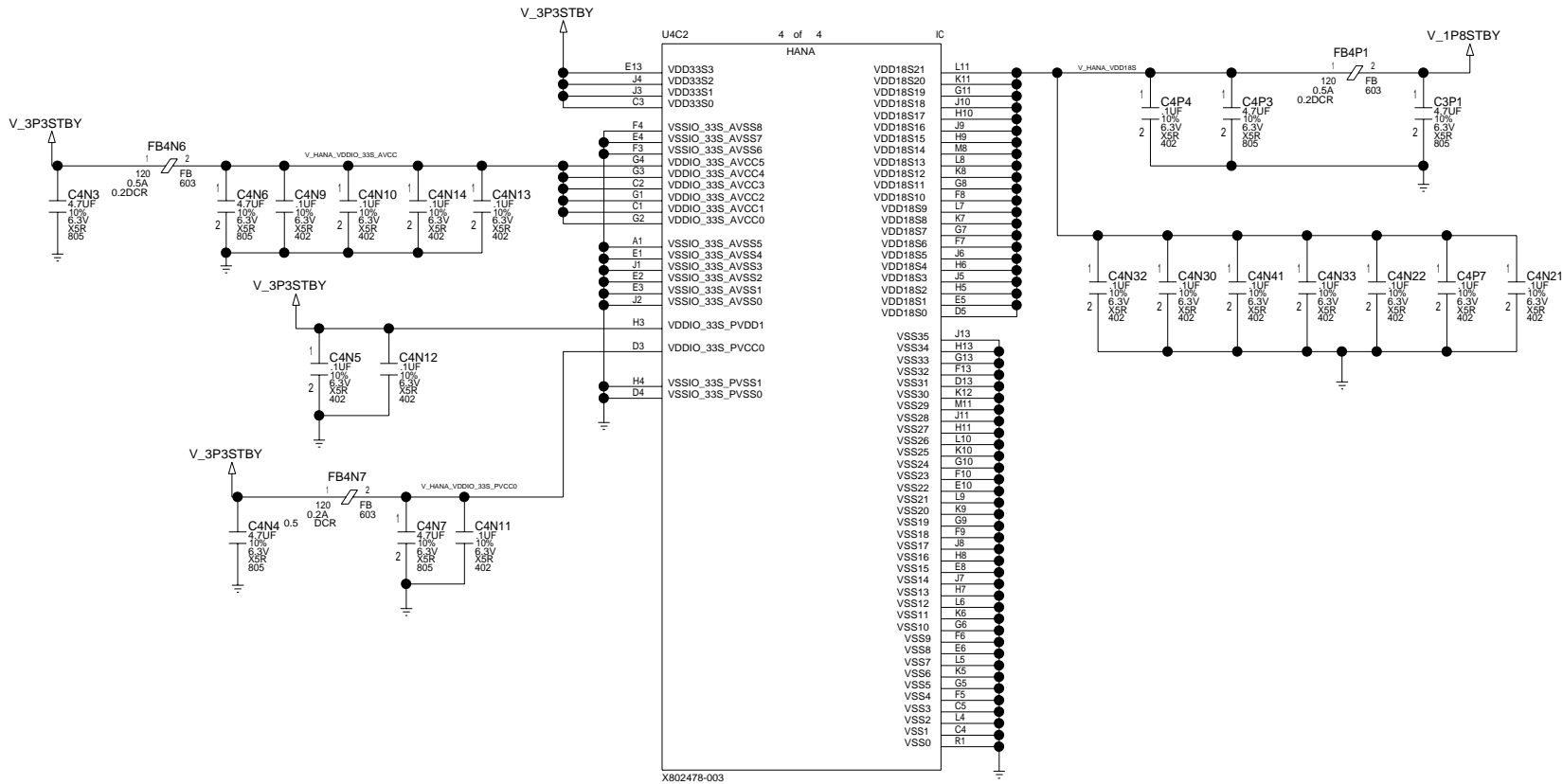
DRAWING
FALCON_FABD
Tue May 08 18:24:16 2007

MICROSOFT CONFIDENTIAL	PROJECT NAME FALCON_RETAIL	PAGE 29/82	REV 1.0
---------------------------	-------------------------------	---------------	------------

HANA, POWER + DECOUPLING

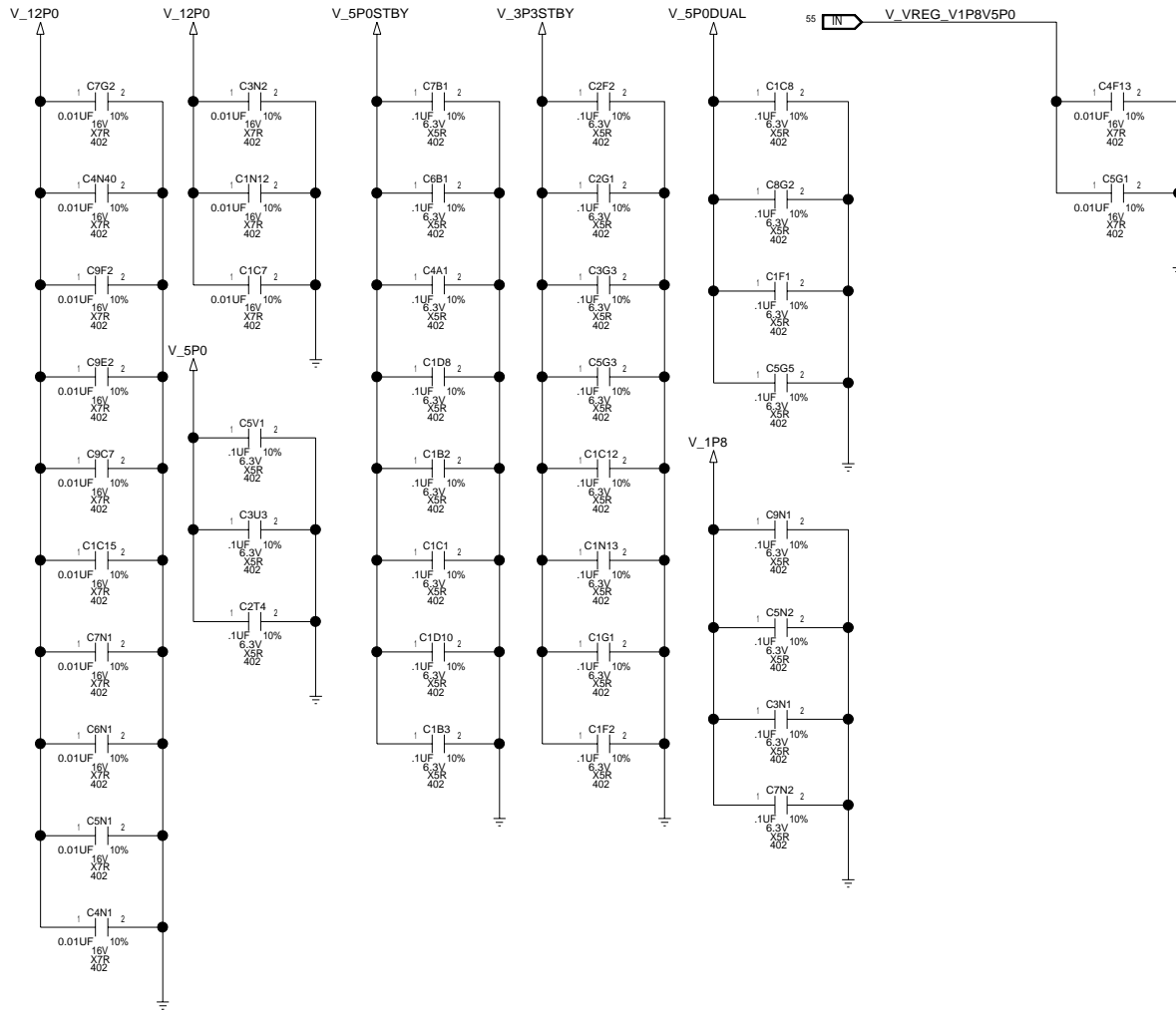


HANA, POWER + DECOUPLING



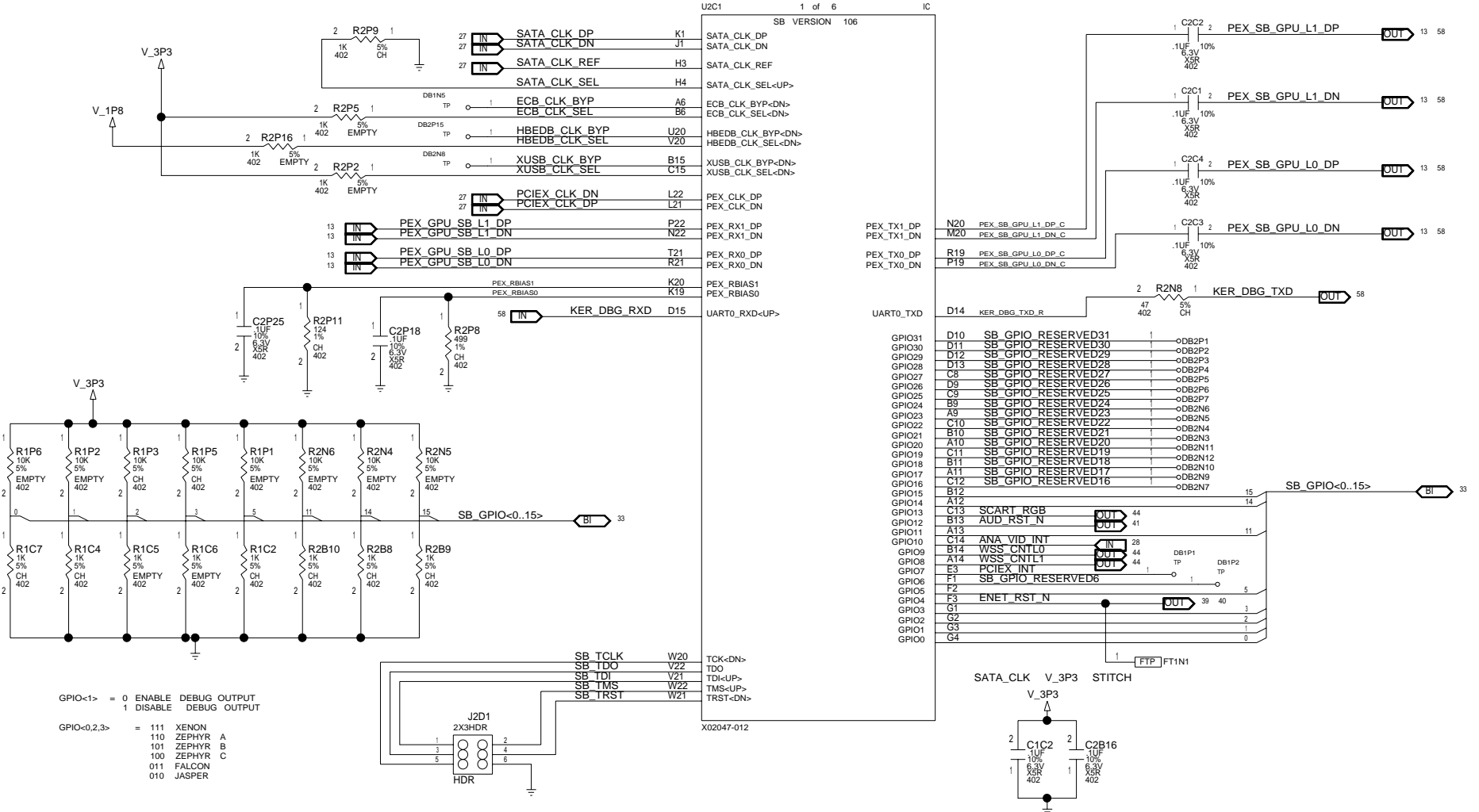
X802478-003

POWER TRACE DECOUPLING



ADB:ADD CONFIG TABLE

SB, PCIEX + SMM GPIO + JTAG

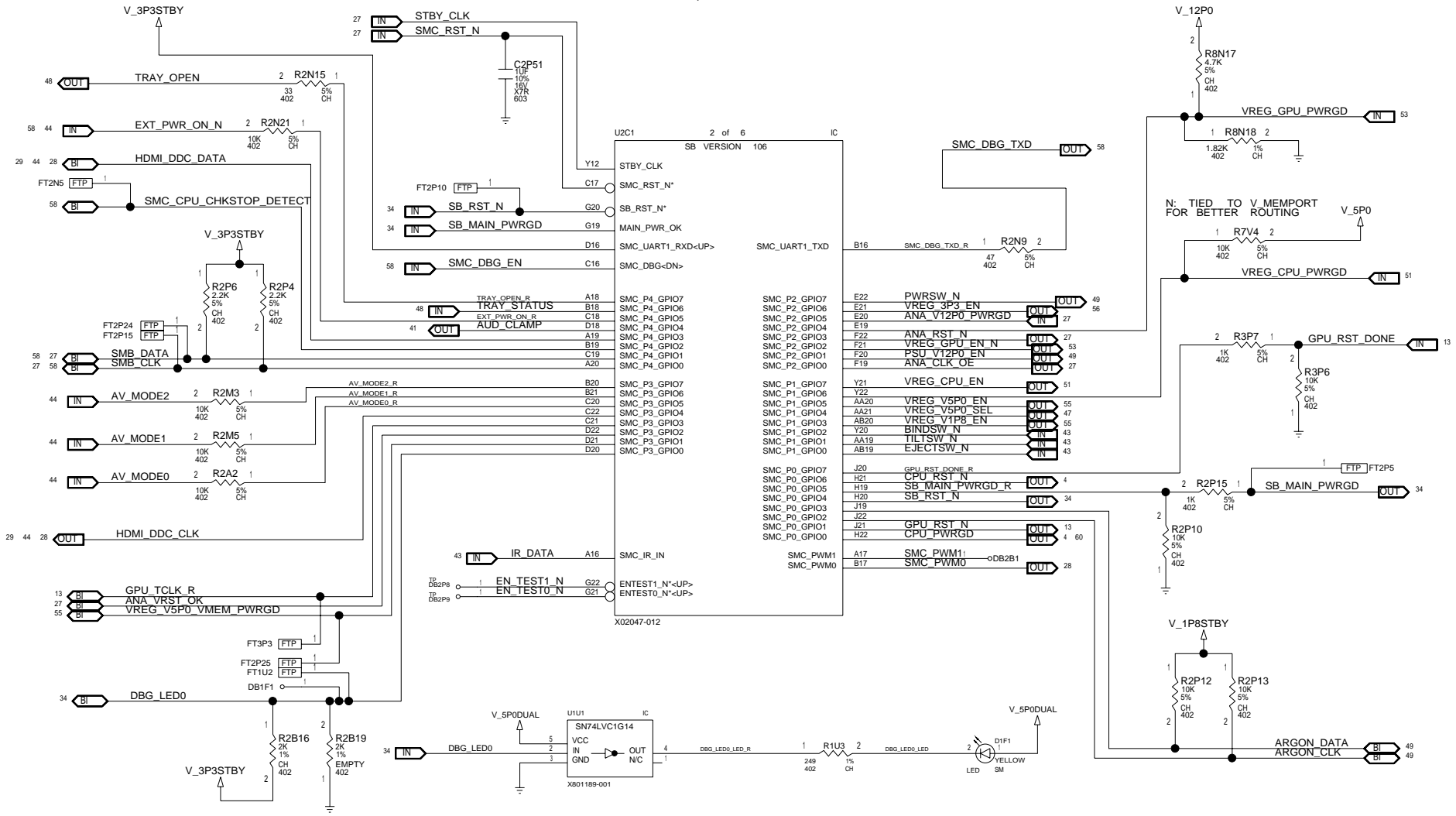


[PAGE_TITLE=SB, PCIEX + SMM GPIO + JTAG]

DRAWING
 FALCON_FABD
 Tue May 08 18:24:16 2007

MICROSOFT CONFIDENTIAL	PROJECT NAME FALCON_RETAIL	PAGE 33/82	REV 1.0
---------------------------	-------------------------------	---------------	------------

SB, SMC



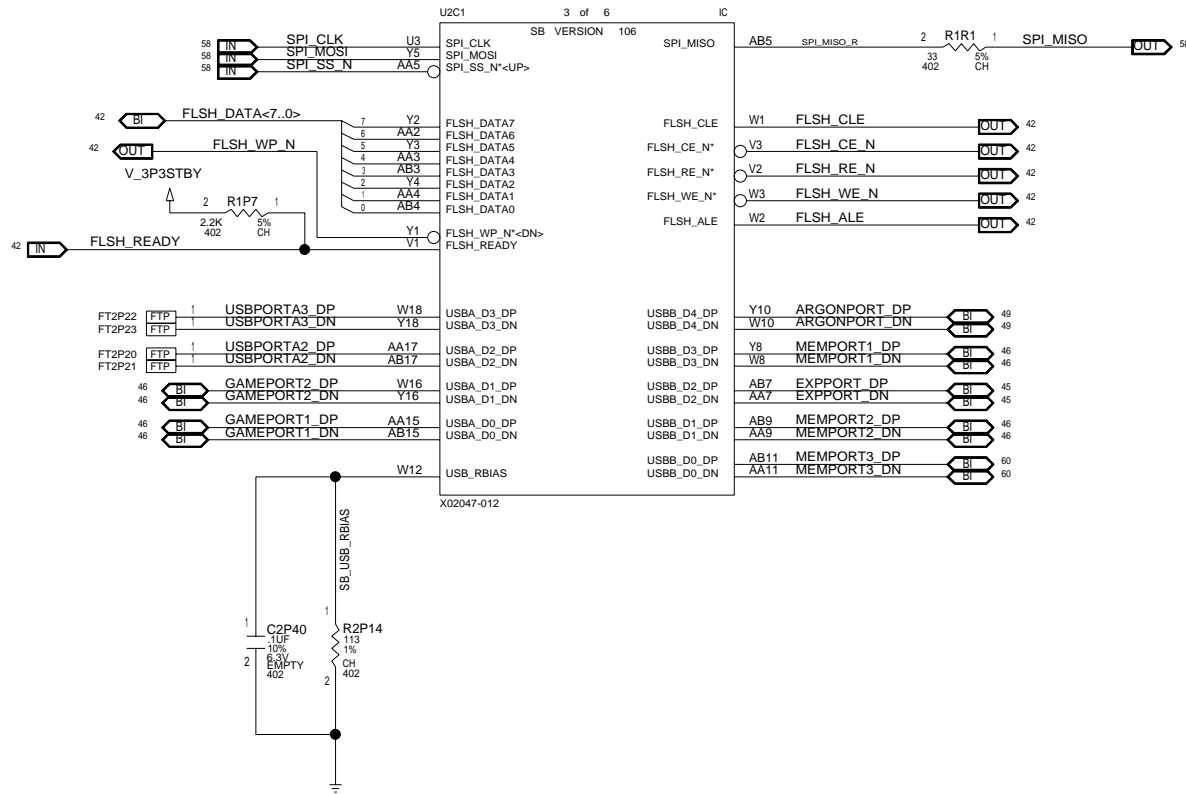
N: DBG_LED0 PULLDOWN = SMC PRODUCTION MODE
 DBG_LED0 PULLUP = SMC DEVELOPMENT MODE

[PAGE_TITLE=SB, SMC]

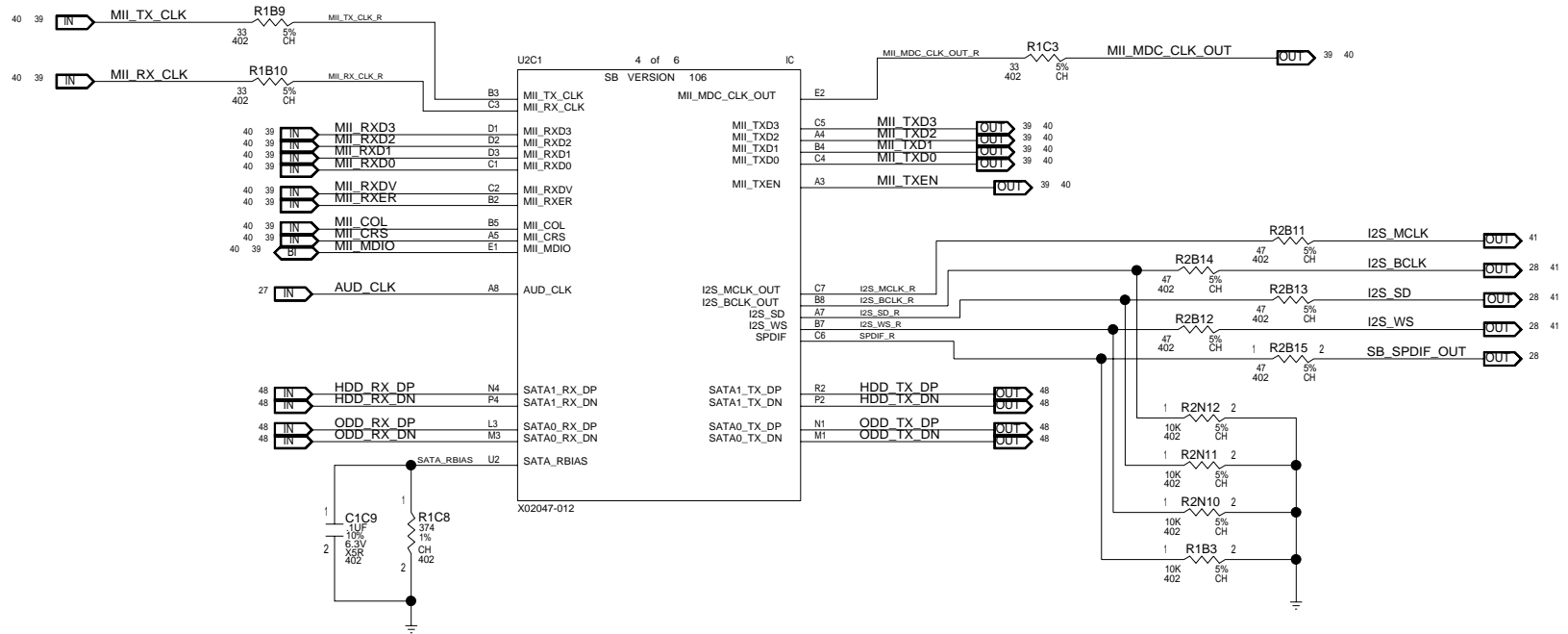
DRAWING FALCON_FABD Tue May 08 18:24:17 2007

MICROSOFT CONFIDENTIAL	PROJECT NAME FALCON_RETAIL	PAGE 34/82	REV 1.0
------------------------	-------------------------------	---------------	------------

SB, FLASH + USB + SPI



SB, ETHERNET + AUDIO + SATA

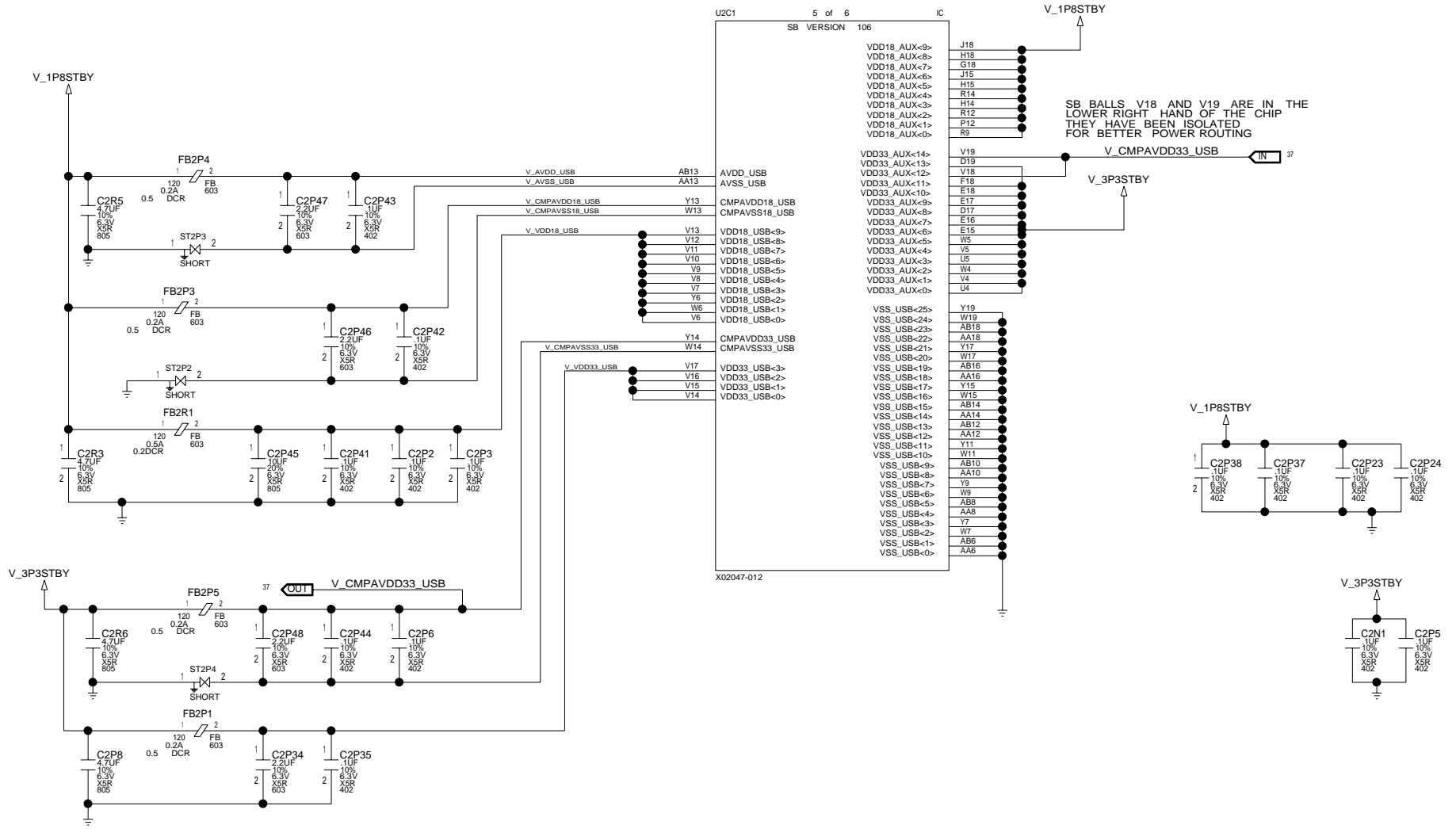


[PAGE_TITLE=SB, ETHERNET + AUDIO + SATA]

DRAWING
FALCON_FABD
Tue May 08 18:24:17 2007

MICROSOFT CONFIDENTIAL	PROJECT NAME FALCON_RETAIL	PAGE 36/82	REV 1.0
---------------------------	-------------------------------	---------------	------------

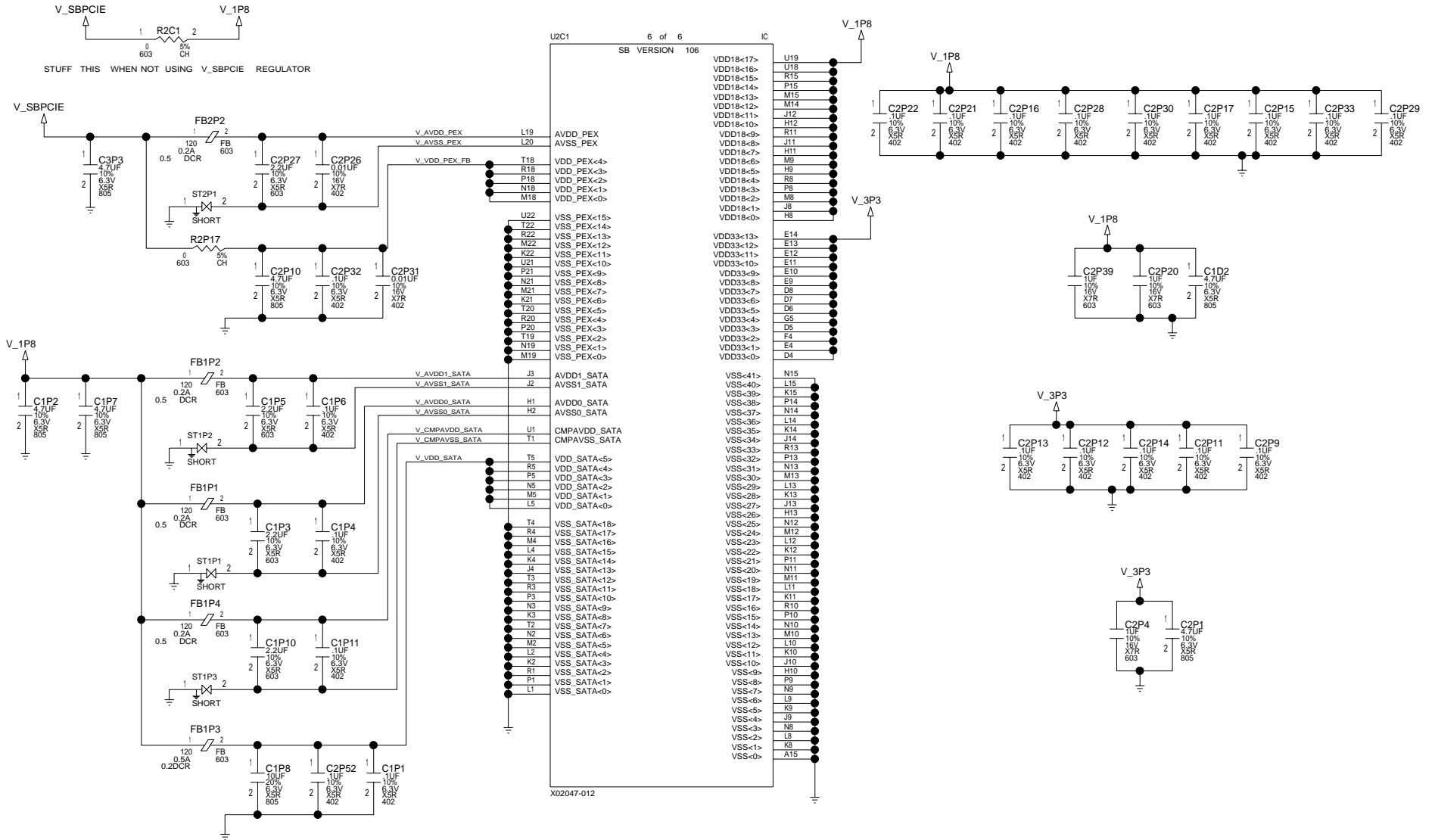
SB, STANDBY POWER + DECOUPLING



[PAGE_TITLE=SB, STANDBY POWER + DECOUPLING]

DRAWING
FALCON_FABD
Tue May 08 18:24:17 2007

MICROSOFT CONFIDENTIAL	PROJECT NAME FALCON_RETAIL	PAGE 37/82	REV 1.0
---------------------------	-------------------------------	---------------	------------

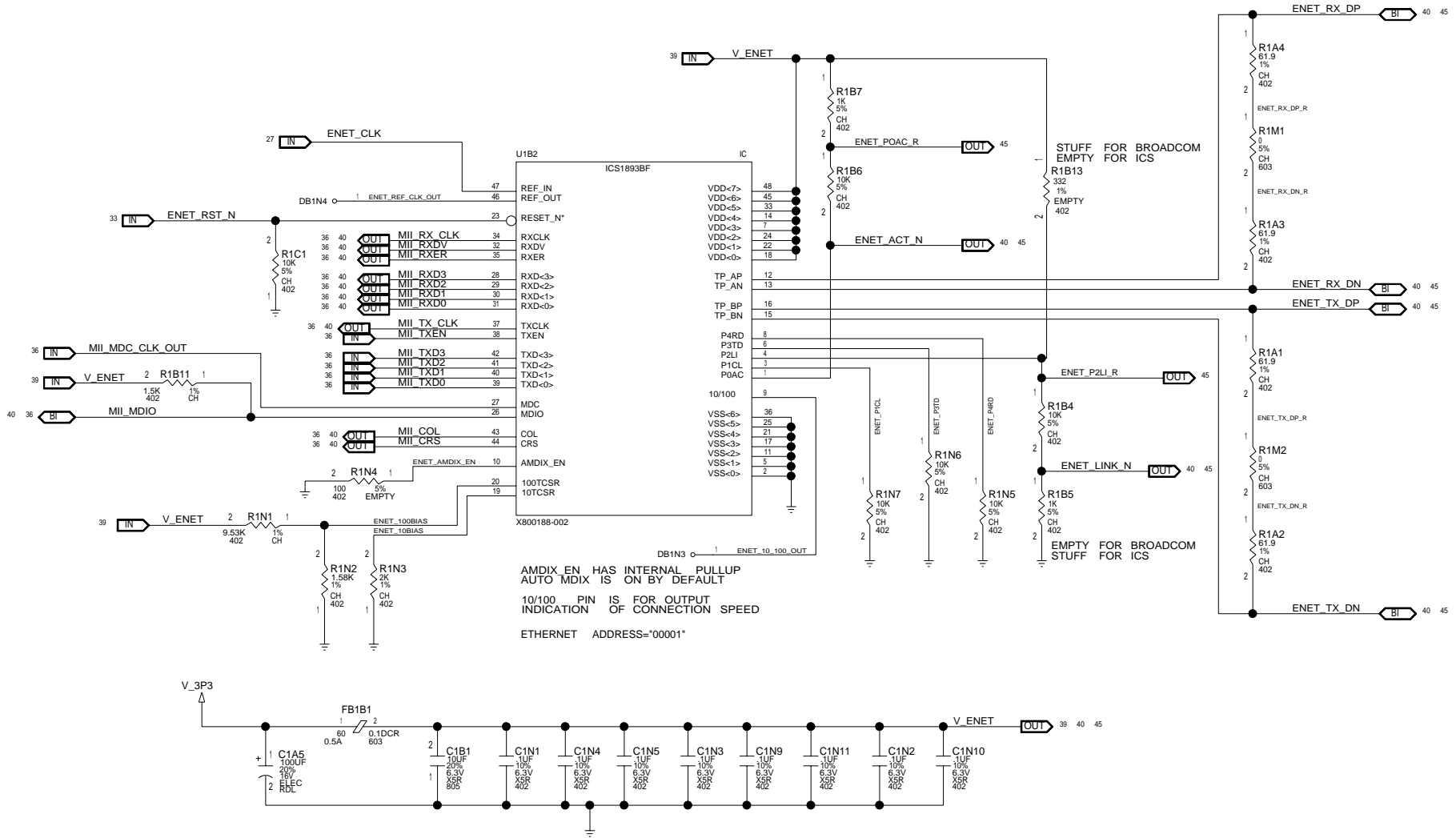


[PAGE_TITLE=SB, MAIN POWER + DECOUPLING]

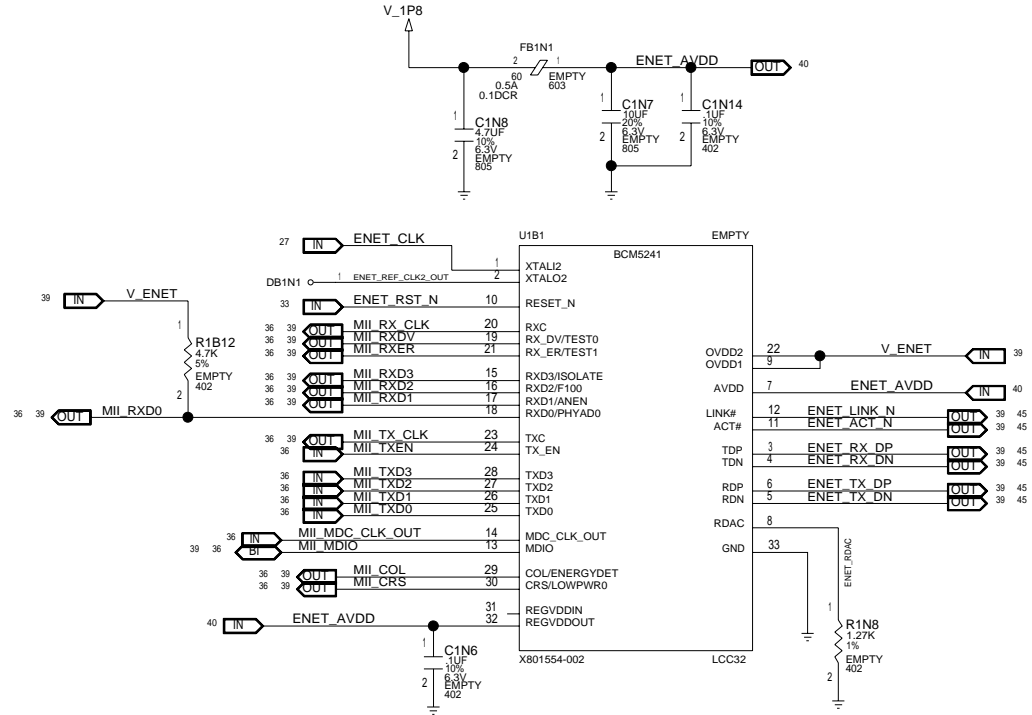
DRAWING
FALCON_FABD
Tue May 08 18:24:17 2007

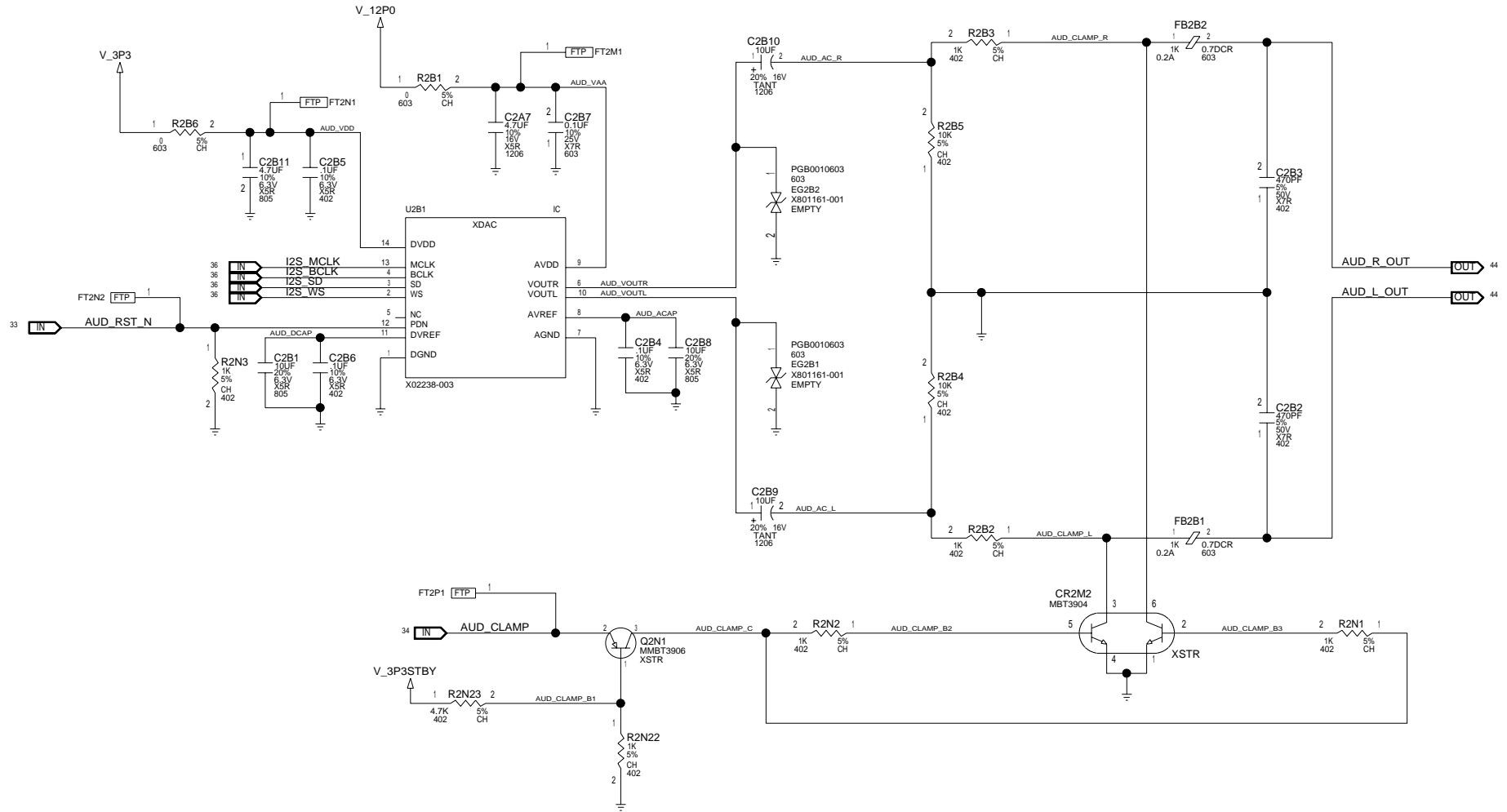
MICROSOFT CONFIDENTIAL	PROJECT NAME FALCON_RETAIL	PAGE 38/82	REV 1.0
---------------------------	-------------------------------	---------------	------------

N: 123.8 OHM TERMINATION REQUIRED FOR ICS
 N: 100 OHM TERMINATION REQUIRED FOR BROADCOM



BDCM PHY





[PAGE_TITLE=SB OUT, AUDIO]

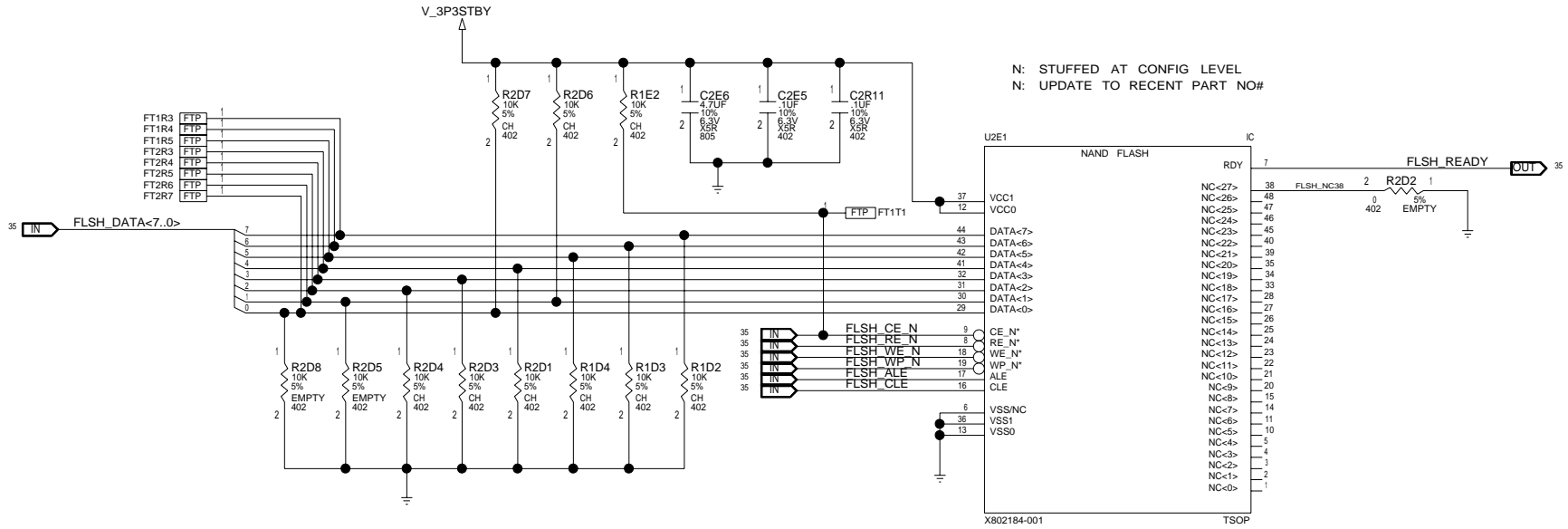
DRAWING
FALCON_FABD
Tue May 08 18:24:17 2007

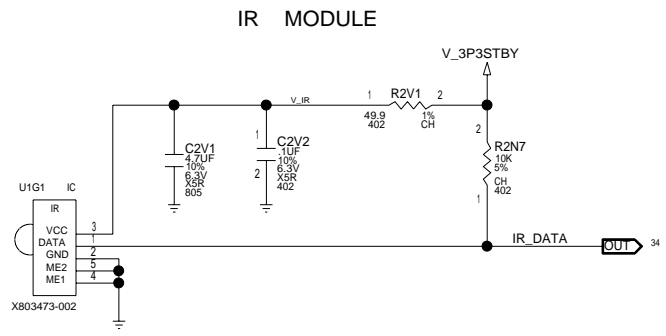
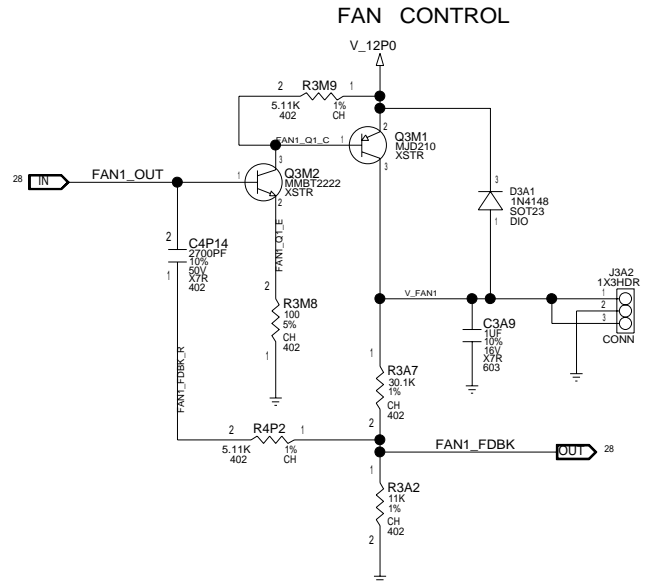
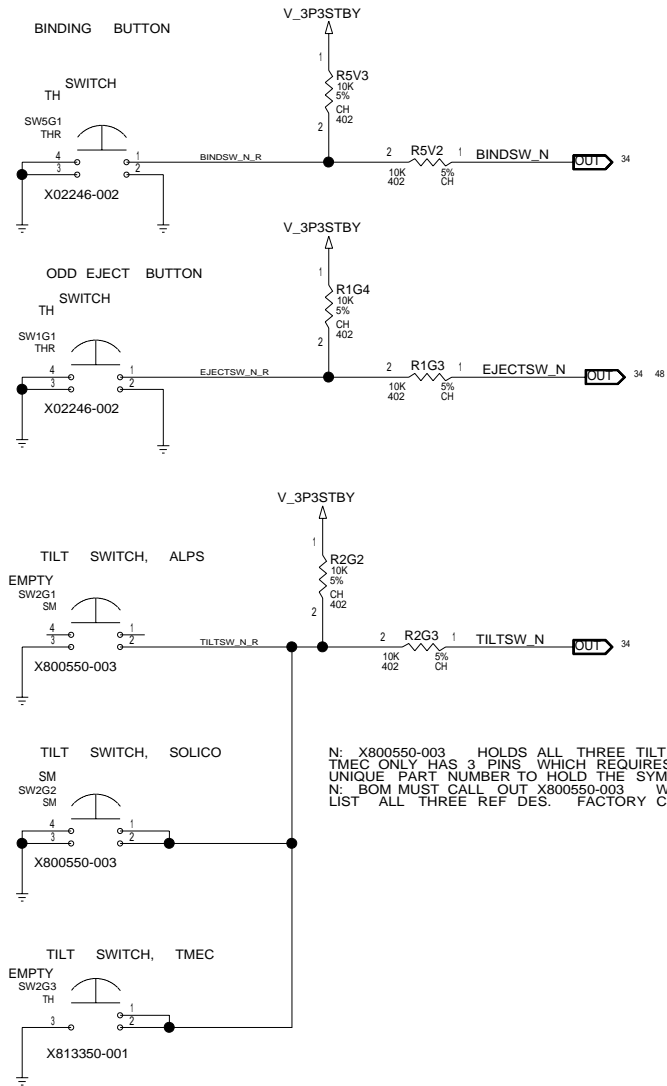
MICROSOFT CONFIDENTIAL	PROJECT NAME FALCON_RETAIL	PAGE 41/82	REV 1.0
---------------------------	-------------------------------	---------------	------------

FLSH_DATA0		FLSH_DATA1	
0	1	0	1
8MB	16MB	32MB	64MB

N: RETAIL=16MB
N: XDK=64MB

N: STUFFED AT CONFIG LEVEL
N: UPDATE TO RECENT PART NO#

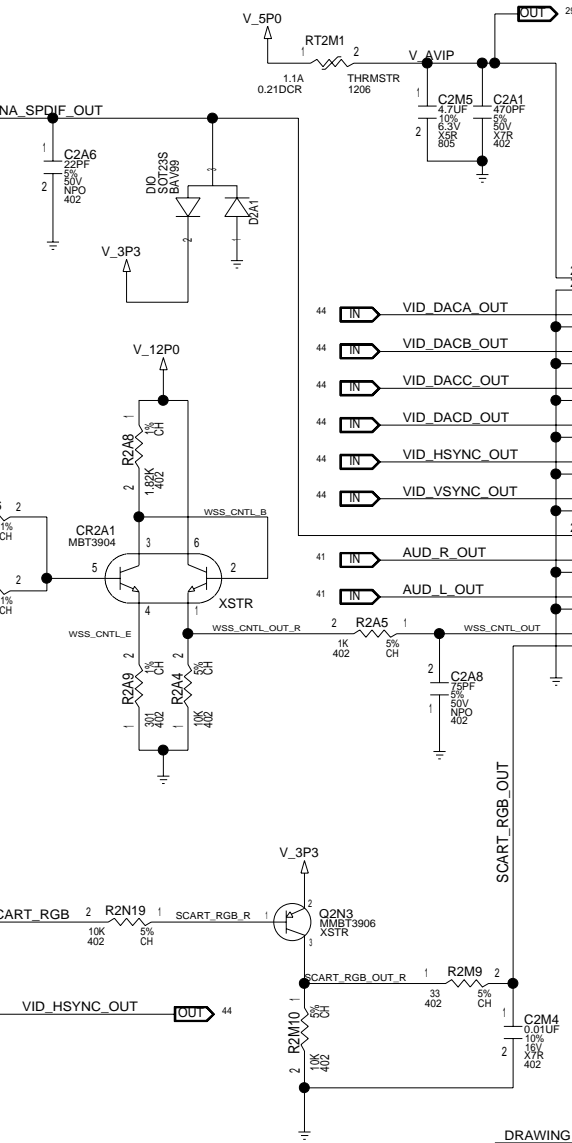
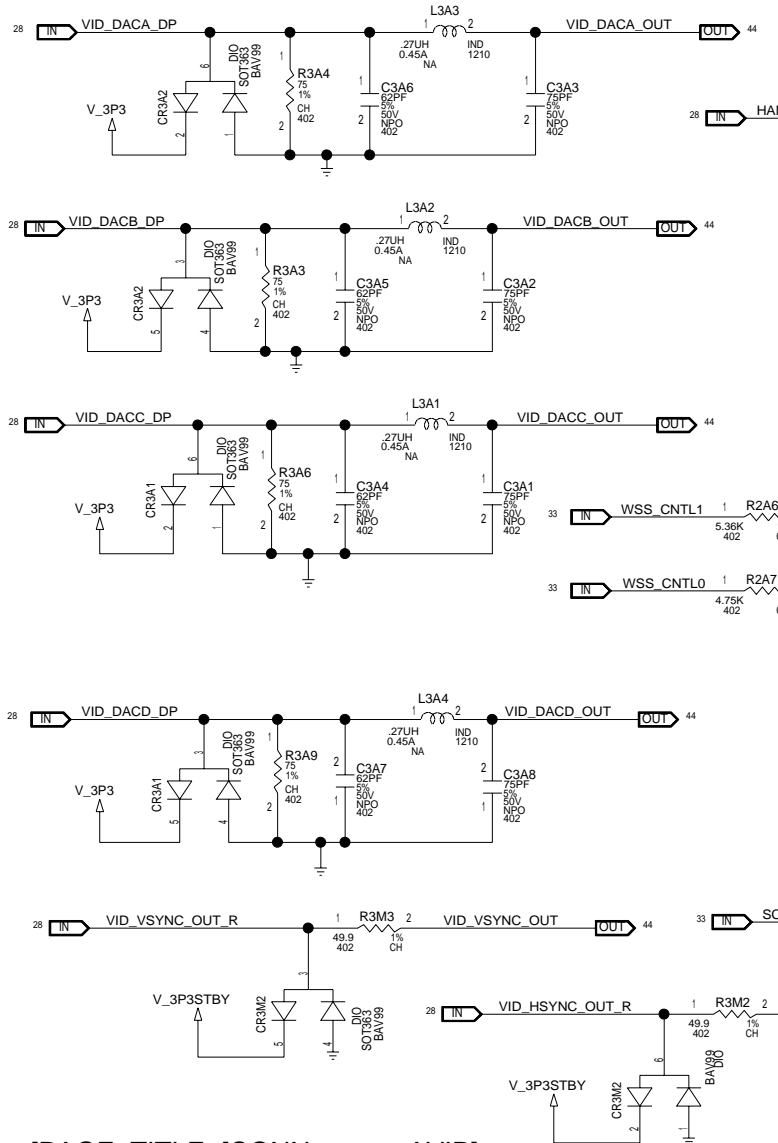




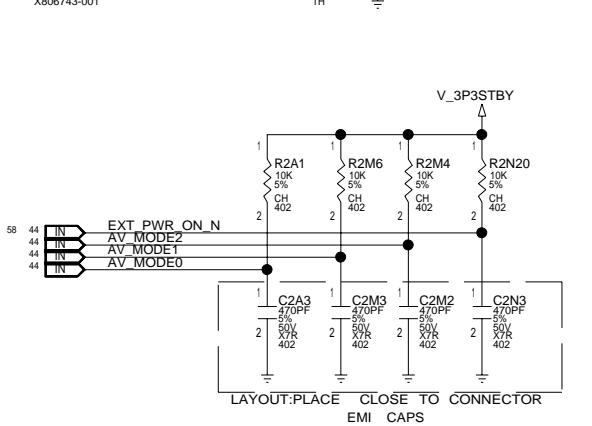
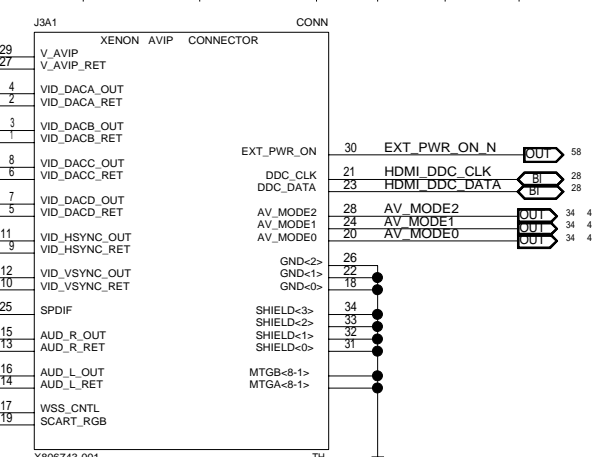
[PAGE_TITLE=CONN, FAN + INFRARED + SWITCHES]

DRAWING FALCON_FABD Tue May 08 18:24:18 2007

MICROSOFT CONFIDENTIAL	PROJECT NAME FALCON_RETAIL	PAGE 43/82	REV 1.0
---------------------------	-------------------------------	---------------	------------



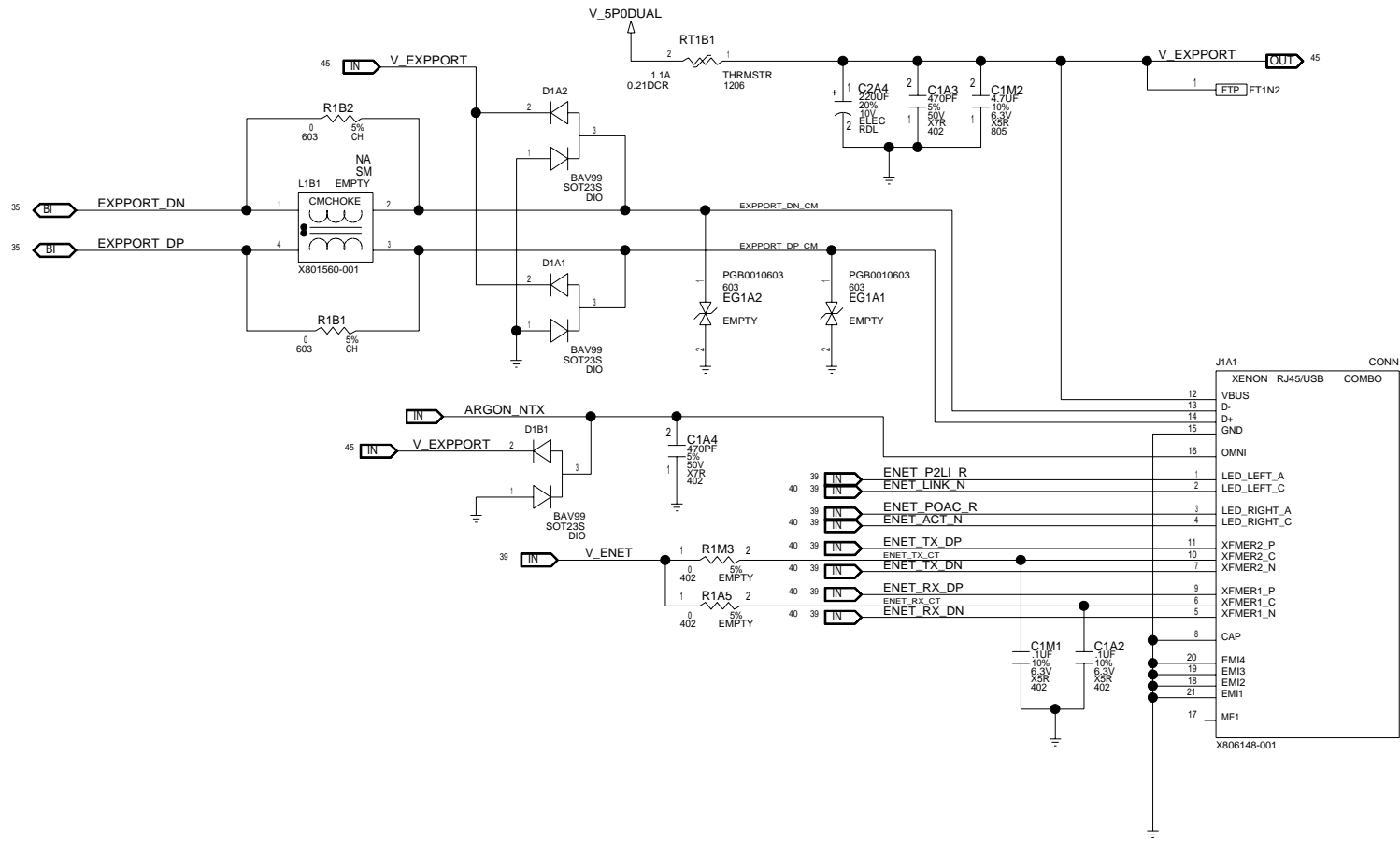
DAC	STANDARD	ADVANCED	SDTV	HDTV	SCART	VGA
A	N/A	Y(LUMA)	Y	Y	G	G
B	N/A	C(CHROMA)	PR	PR	R	R
C	N/A	N/A	PB	PB	B	B
D	CVBS(COMP)	CVBS(COMP)	CVBS	N/A	CVBS	CVBS

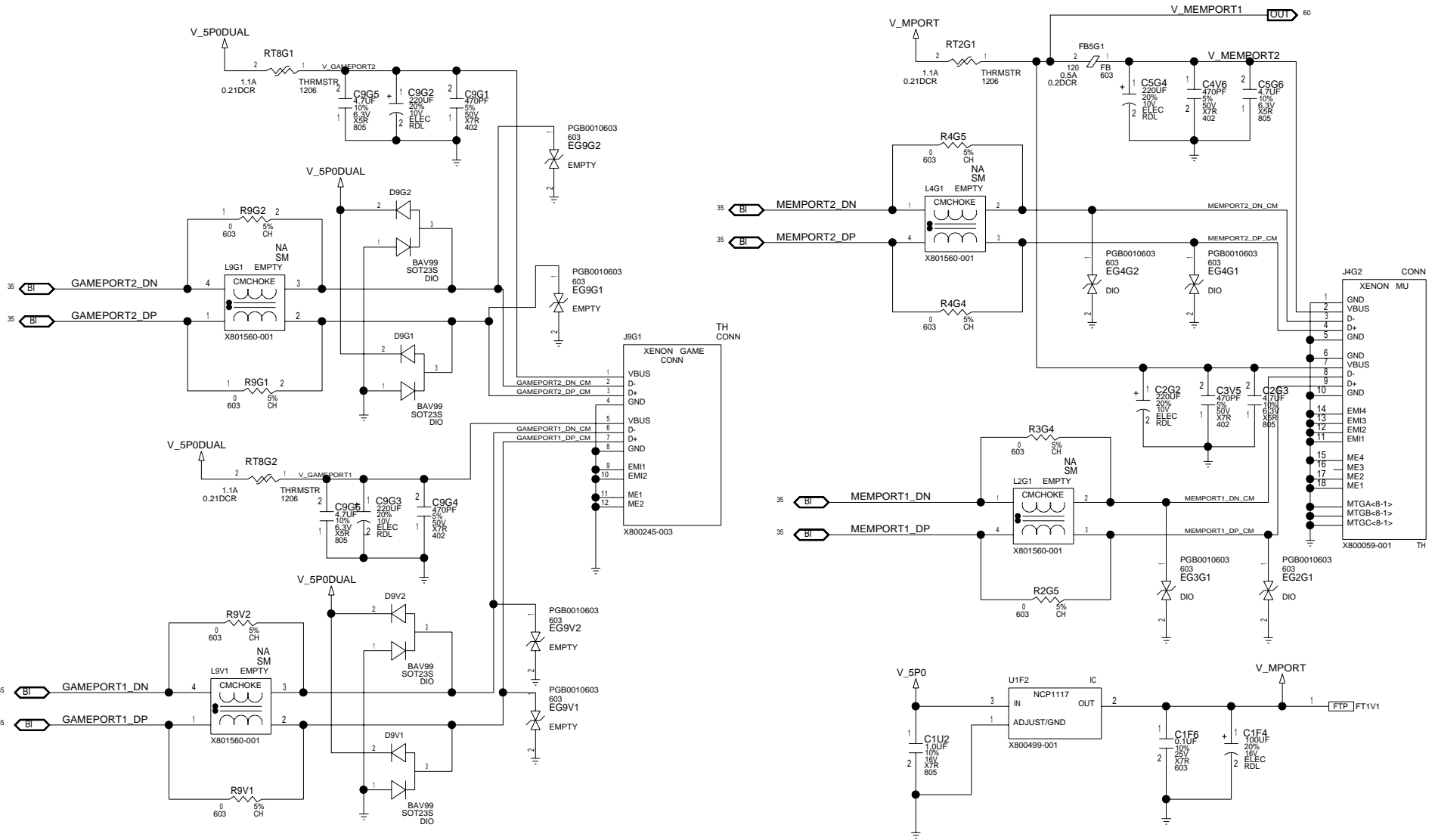


[PAGE_TITLE=[CONN, AVIP]

DRAWING
FALCON_FABD
Tue May 08 18:24:18 2007

MICROSOFT CONFIDENTIAL	PROJECT NAME FALCON_RETAIL	PAGE 44/82	REV 1.0
---------------------------	-------------------------------	---------------	------------





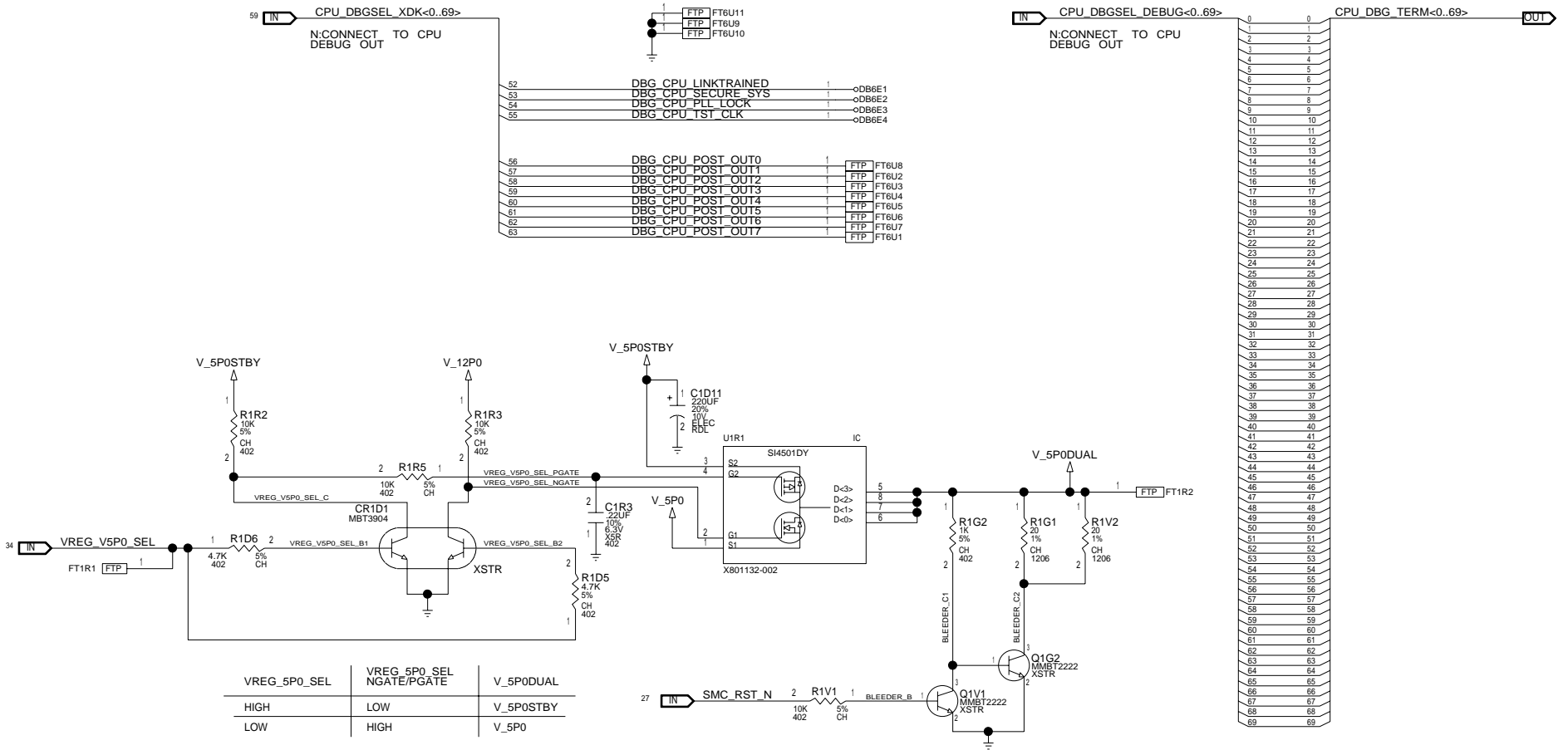
[PAGE_TITLE=CONN, MEMORY PORTS + GAME PORTS]

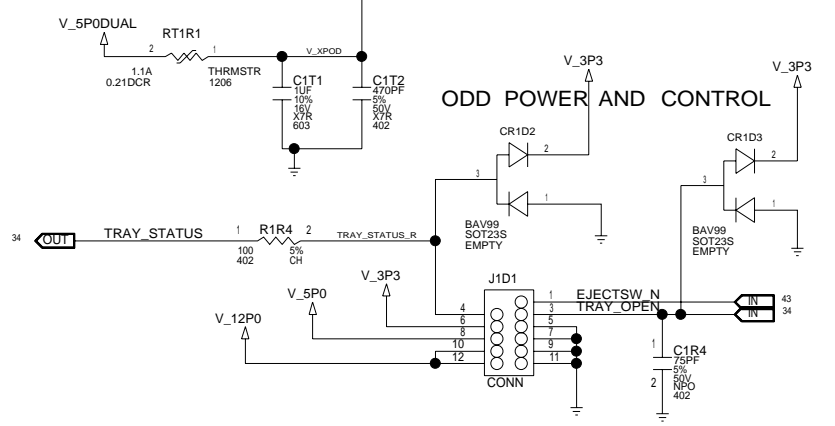
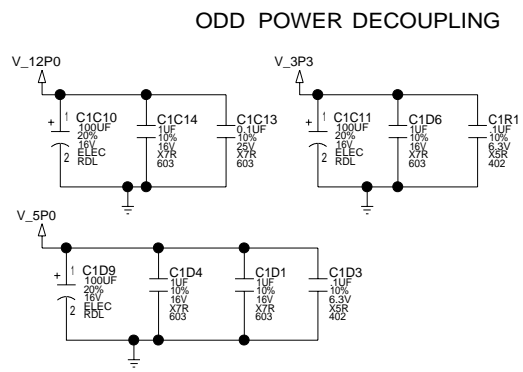
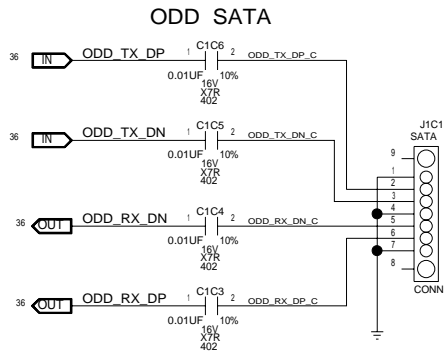
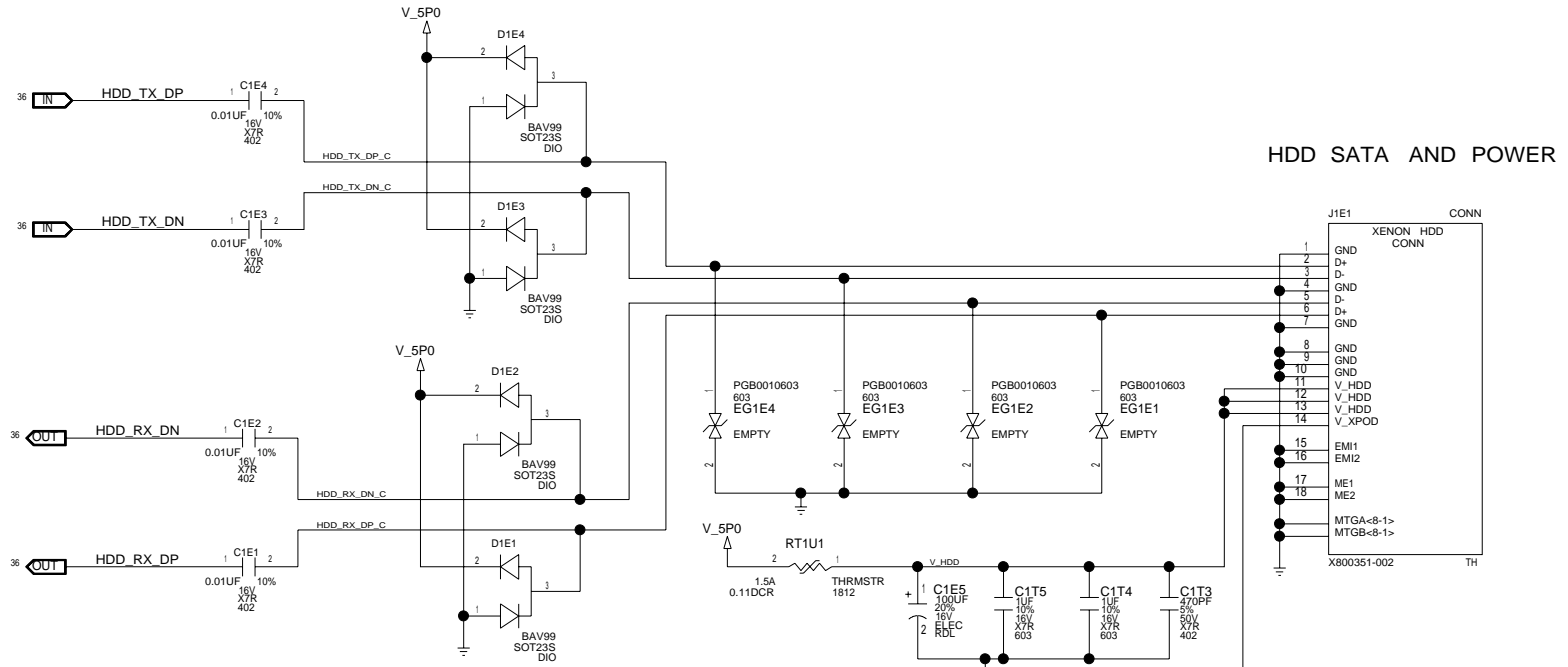
DRAWING
FALCON_FABD
Tue May 08 18:24:18 2007

MICROSOFT CONFIDENTIAL	PROJECT NAME FALCON_RETAIL	PAGE 46/82	REV 1.0
---------------------------	-------------------------------	---------------	------------

XDK BOARD MAPPING

DEBUG BOARD MAPPING

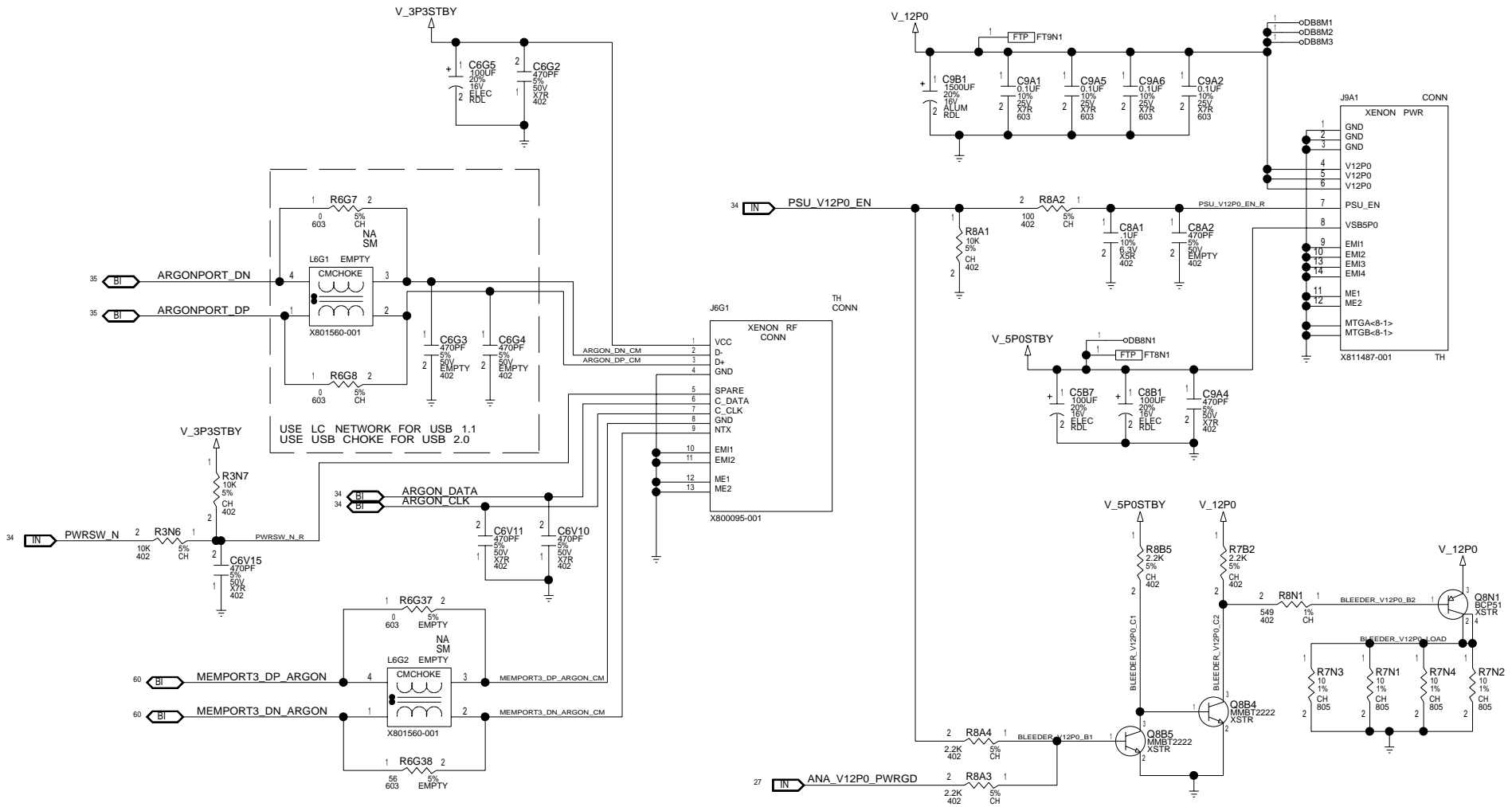




[PAGE_TITLE=CONN, ODD + HDD]

DRAWING
FALCON_FABD
Tue May 08 18:24:20 2007

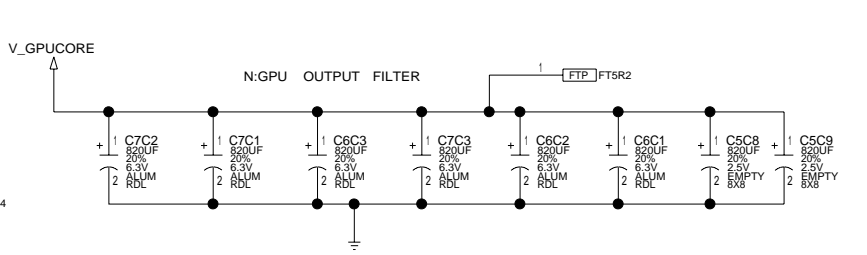
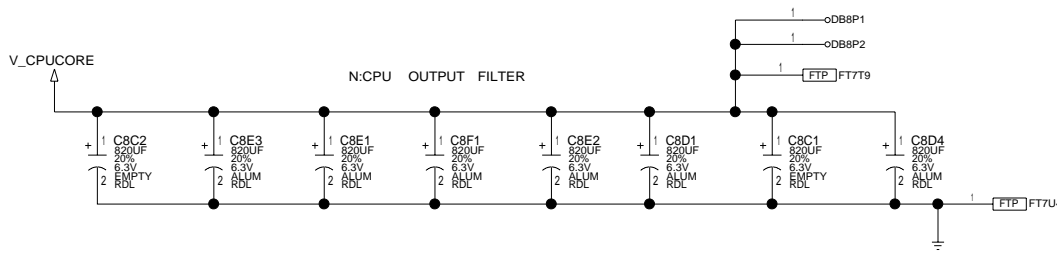
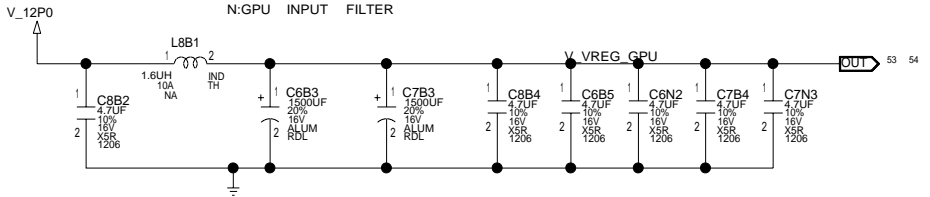
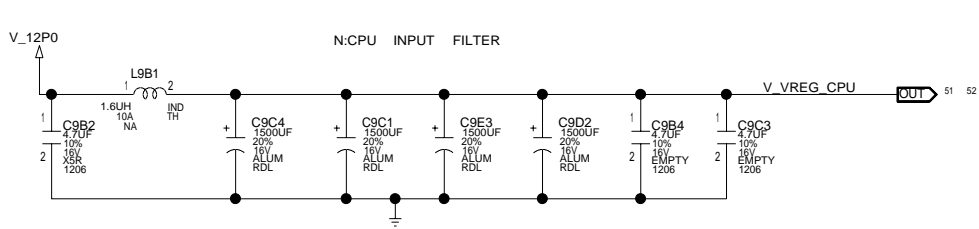
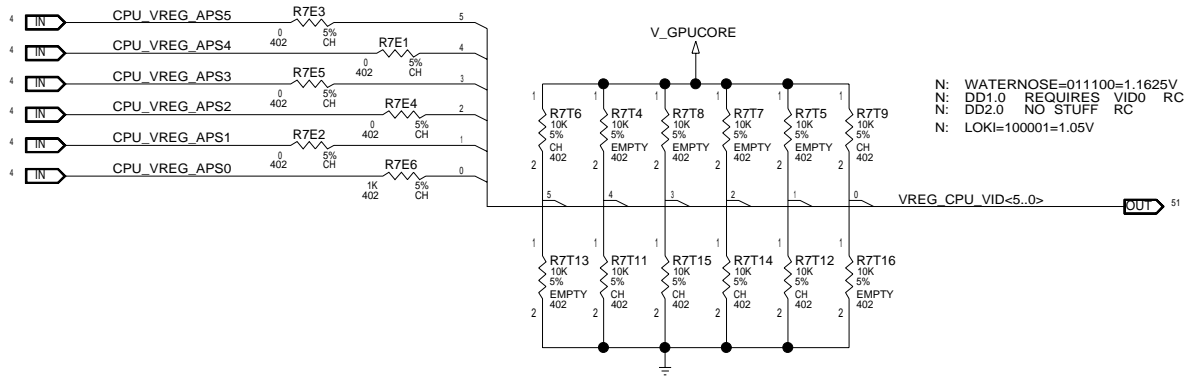
MICROSOFT CONFIDENTIAL	PROJECT NAME FALCON_RETAIL	PAGE 48/82	REV 1.0
---------------------------	-------------------------------	---------------	------------

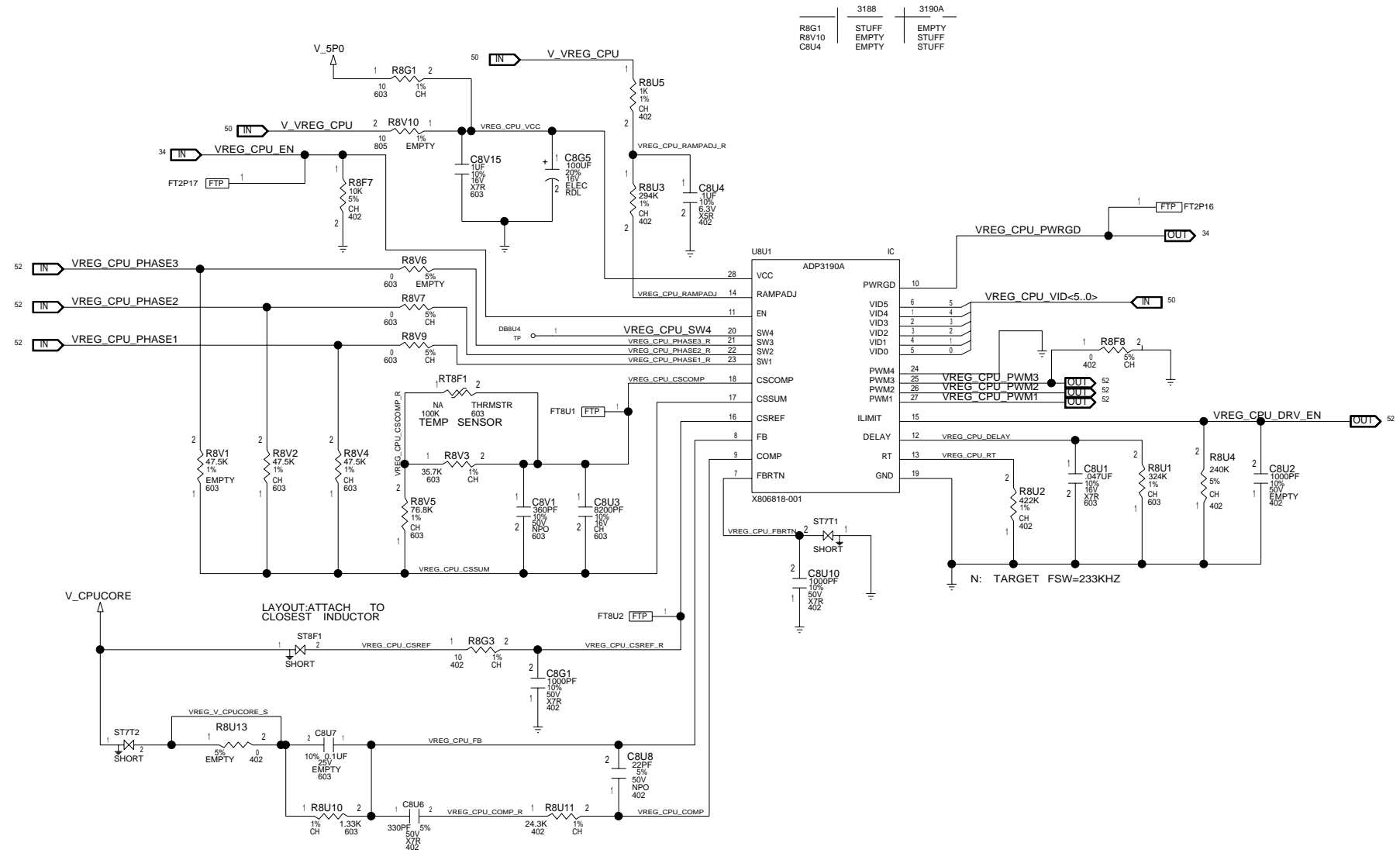


[PAGE_TITLE=CONN, ARGON + POWER SUPPLY]

DRAWING
FALCON_FABD
Tue May 08 18:24:18 2007

MICROSOFT CONFIDENTIAL	PROJECT NAME FALCON_RETAIL	PAGE 49/82	REV 1.0
---------------------------	-------------------------------	---------------	------------



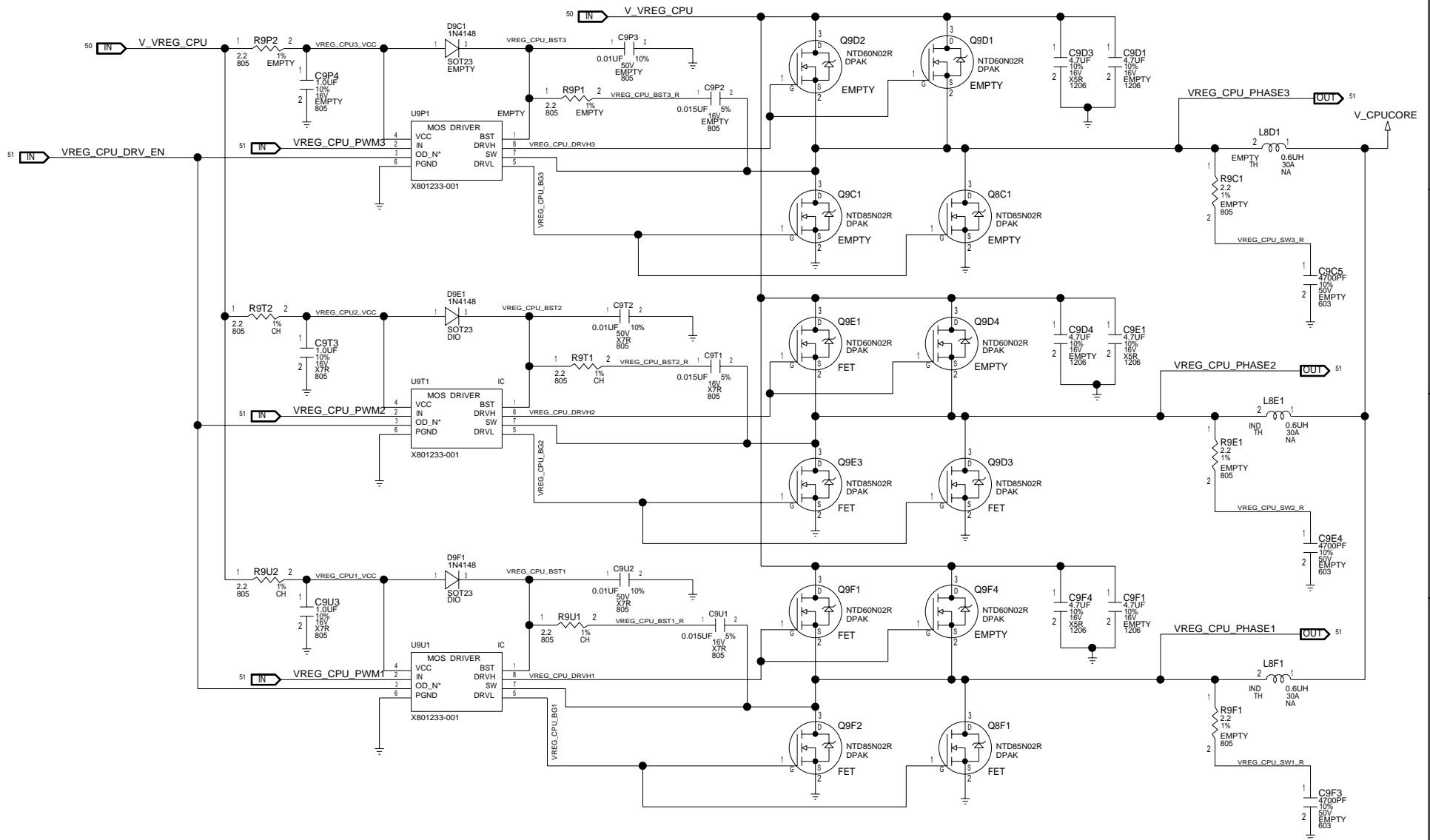


R8G1	3188	3190A
R8V10	STUFF	EMPTY
C8U4	EMPTY	STUFF
	EMPTY	STUFF

[PAGE_TITLE=VREGS, CPU CONTROLLER]

DRAWING
FALCON_FABD
Tue May 08 18:24:18 2007

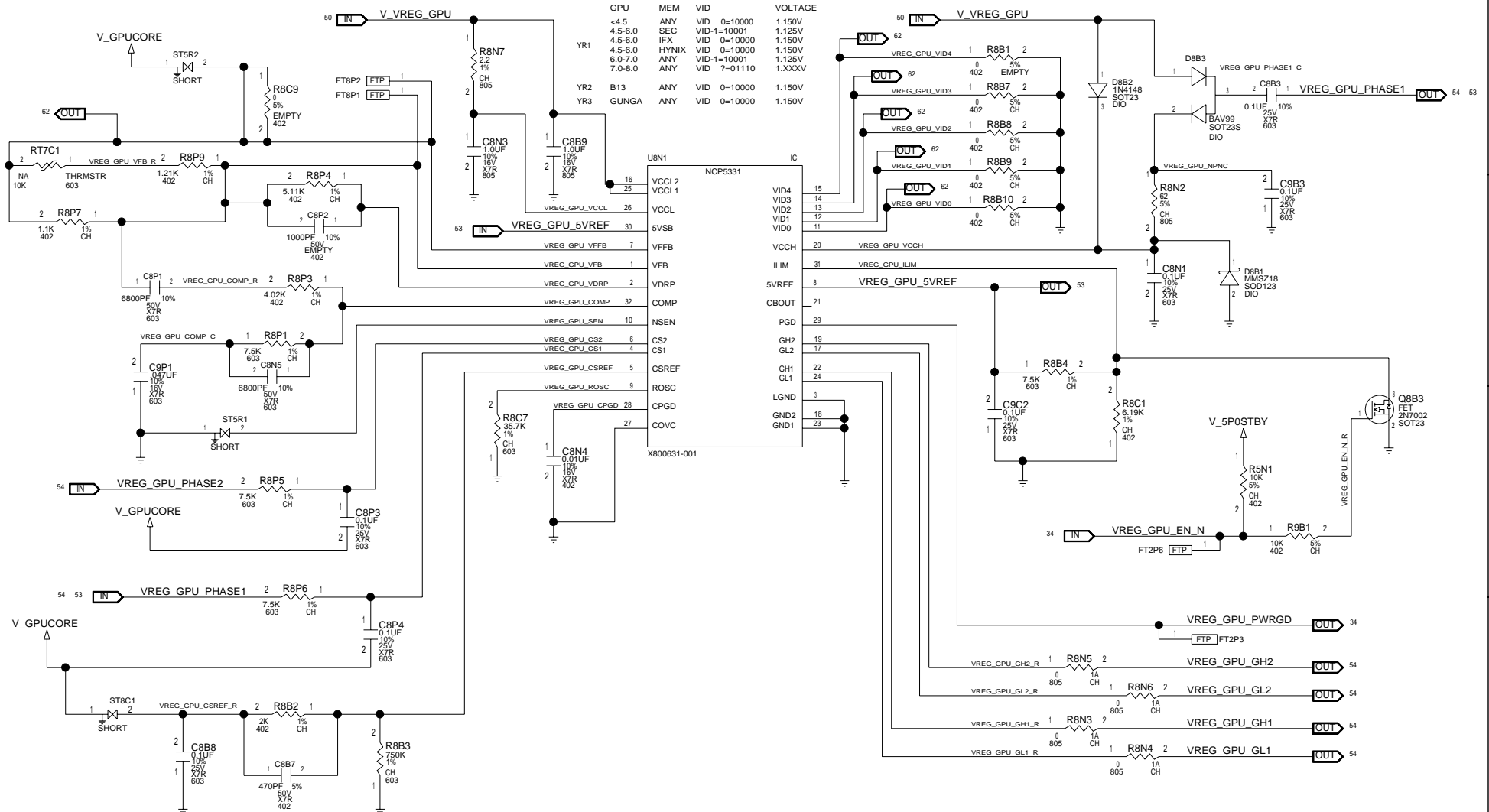
MICROSOFT CONFIDENTIAL	PROJECT NAME FALCON_RETAIL	PAGE 51/82	REV 1.0
---------------------------	-------------------------------	---------------	------------



[PAGE_TITLE=VREGS, CPU OUTPUT PHASE 1,2,3]

DRAWING
FALCON_FABD
Tue May 08 18:24:18 2007

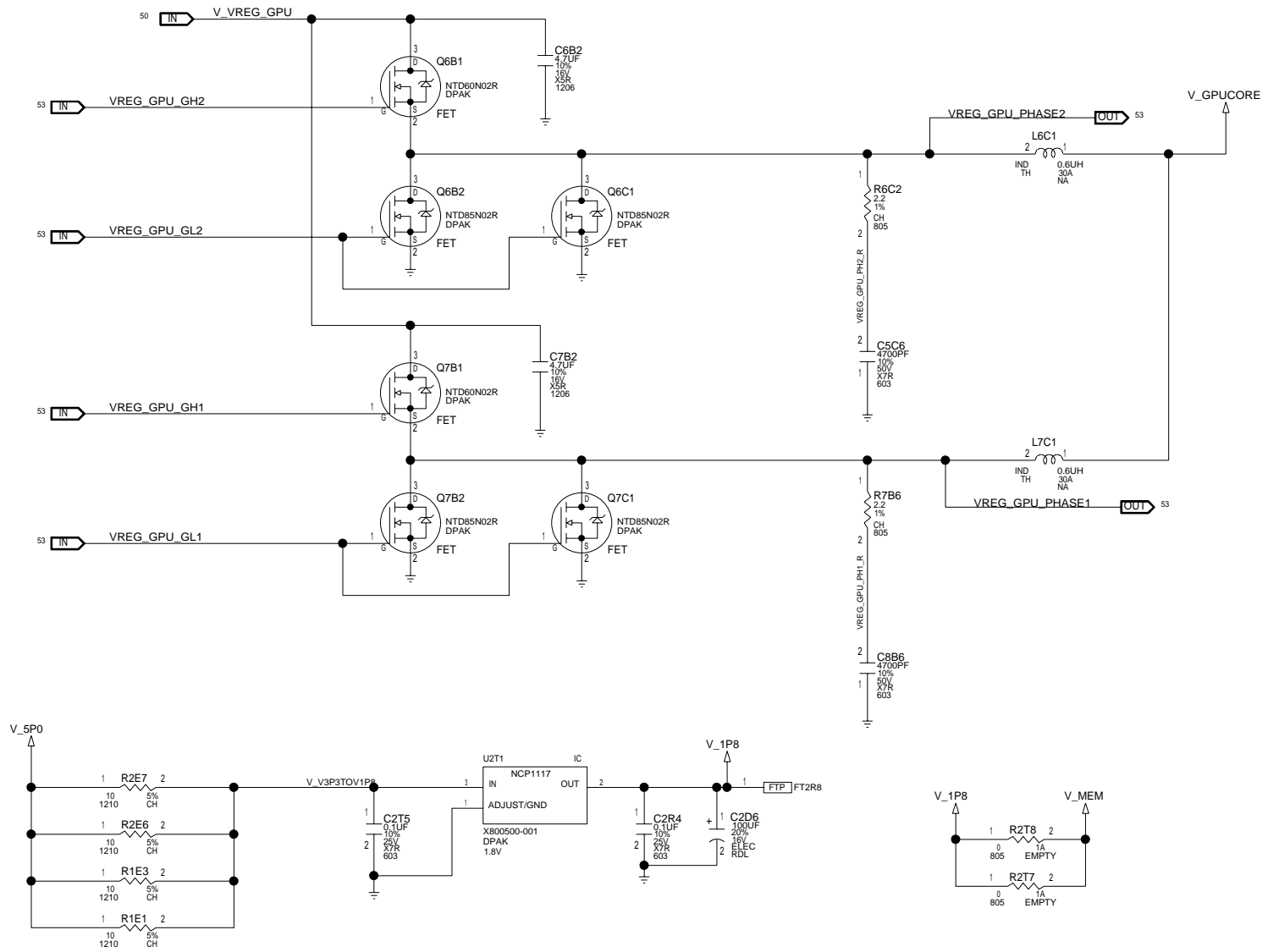
MICROSOFT CONFIDENTIAL	PROJECT NAME FALCON_RETAIL	PAGE 52/82	REV 1.0
---------------------------	-------------------------------	---------------	------------



[PAGE_TITLE=VREGS, GPU CONTROLLER]

DRAWING
FALCON_FABD
Tue May 08 18:24:19 2007

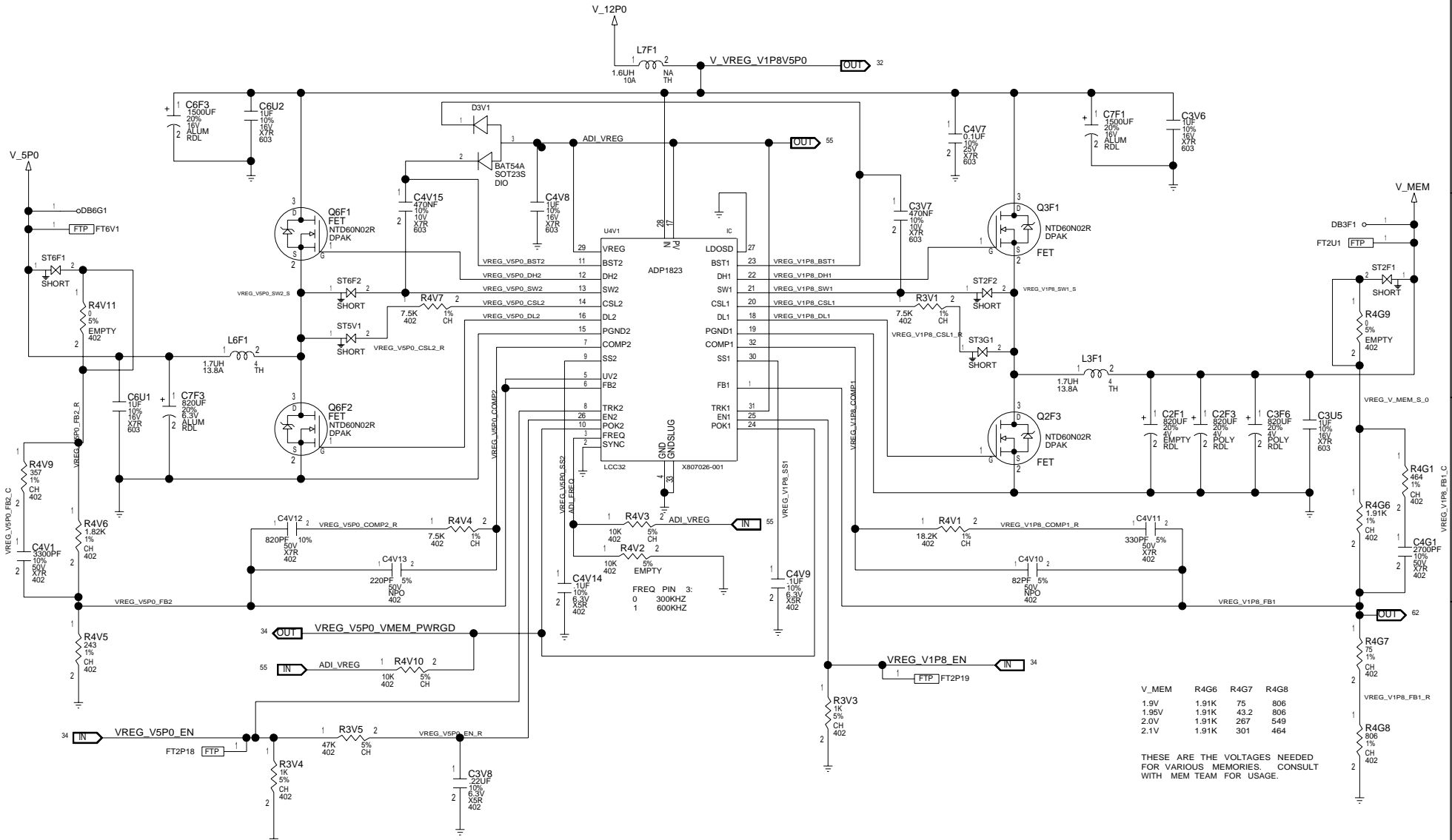
MICROSOFT CONFIDENTIAL	PROJECT NAME FALCON_RETAIL	PAGE 53/82	REV 1.0
---------------------------	-------------------------------	---------------	------------



[PAGE_TITLE=VREGS, GPU OUTPUT PHASE 1,2]

DRAWING
FALCON_FABD
Tue May 08 18:24:19 2007

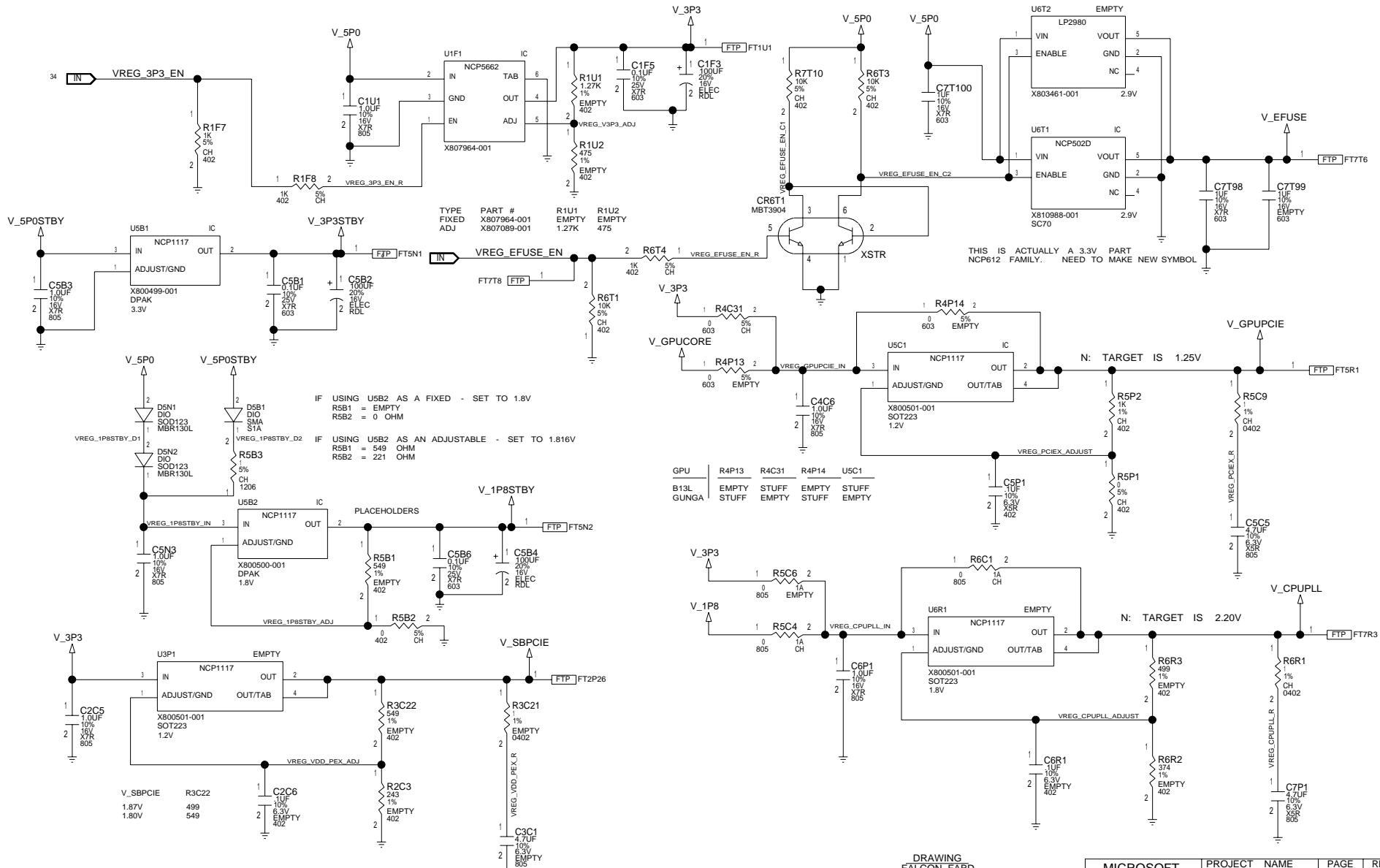
MICROSOFT CONFIDENTIAL	PROJECT NAME FALCON_RETAIL	PAGE 54/82	REV 1.0
---------------------------	-------------------------------	---------------	------------



[PAGE_TITLE=VREGS, V1P8 AND V5P0]

DRAWING
FALCON_FABD
Tue May 08 18:24:19 2007

MICROSOFT CONFIDENTIAL	PROJECT NAME FALCON_RETAIL	PAGE 55/82	REV 1.0
---------------------------	-------------------------------	---------------	------------

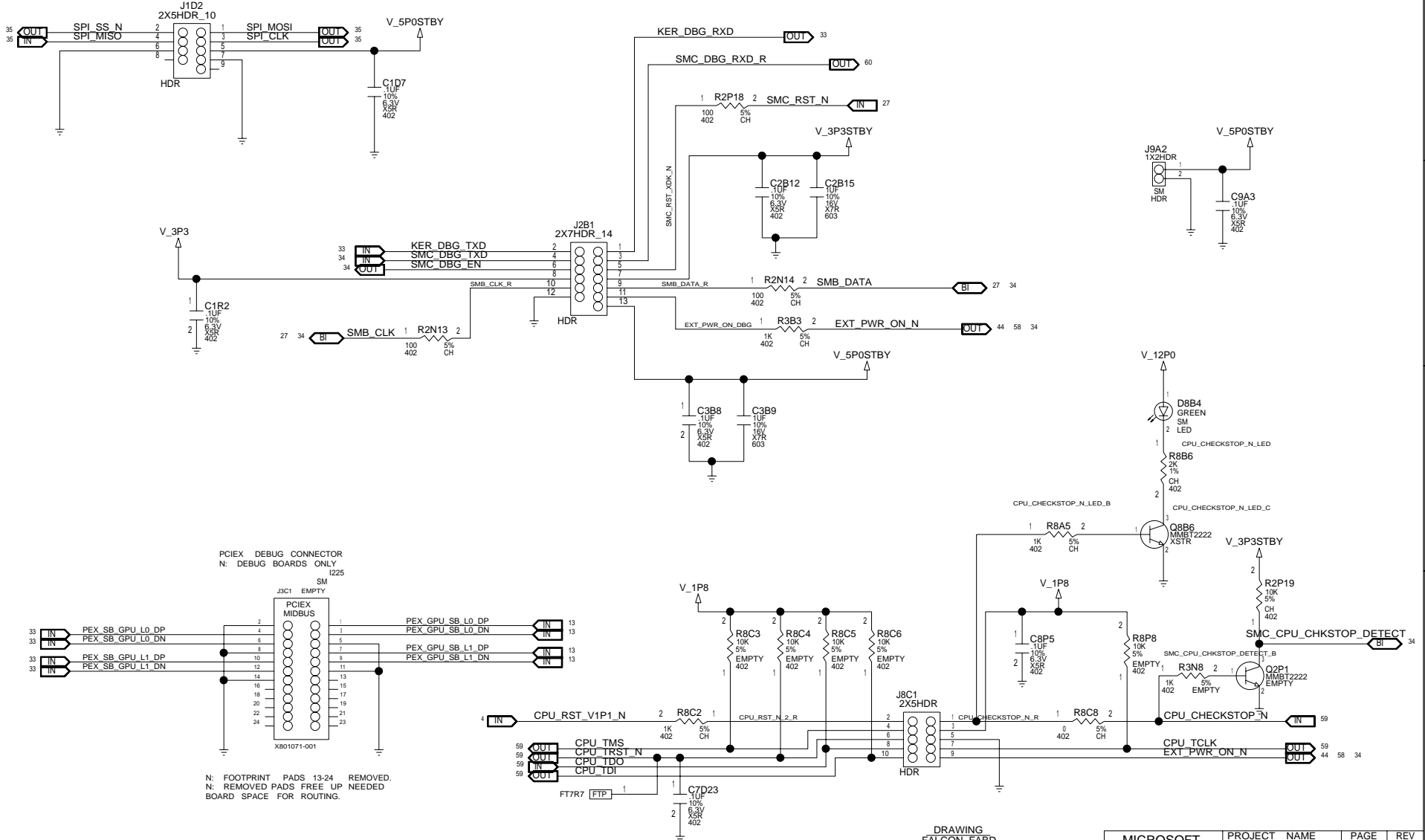


[PAGE_TITLE]=[VREGS, LINEAR VREGS]

DRAWING
FALCON_FABD
Tue May 08 18:24:19 2007

MICROSOFT CONFIDENTIAL	PROJECT NAME FALCON_RETAIL	PAGE 56/82	REV 1.0
---------------------------	-------------------------------	---------------	------------

XDK, DEBUG CONNECTORS

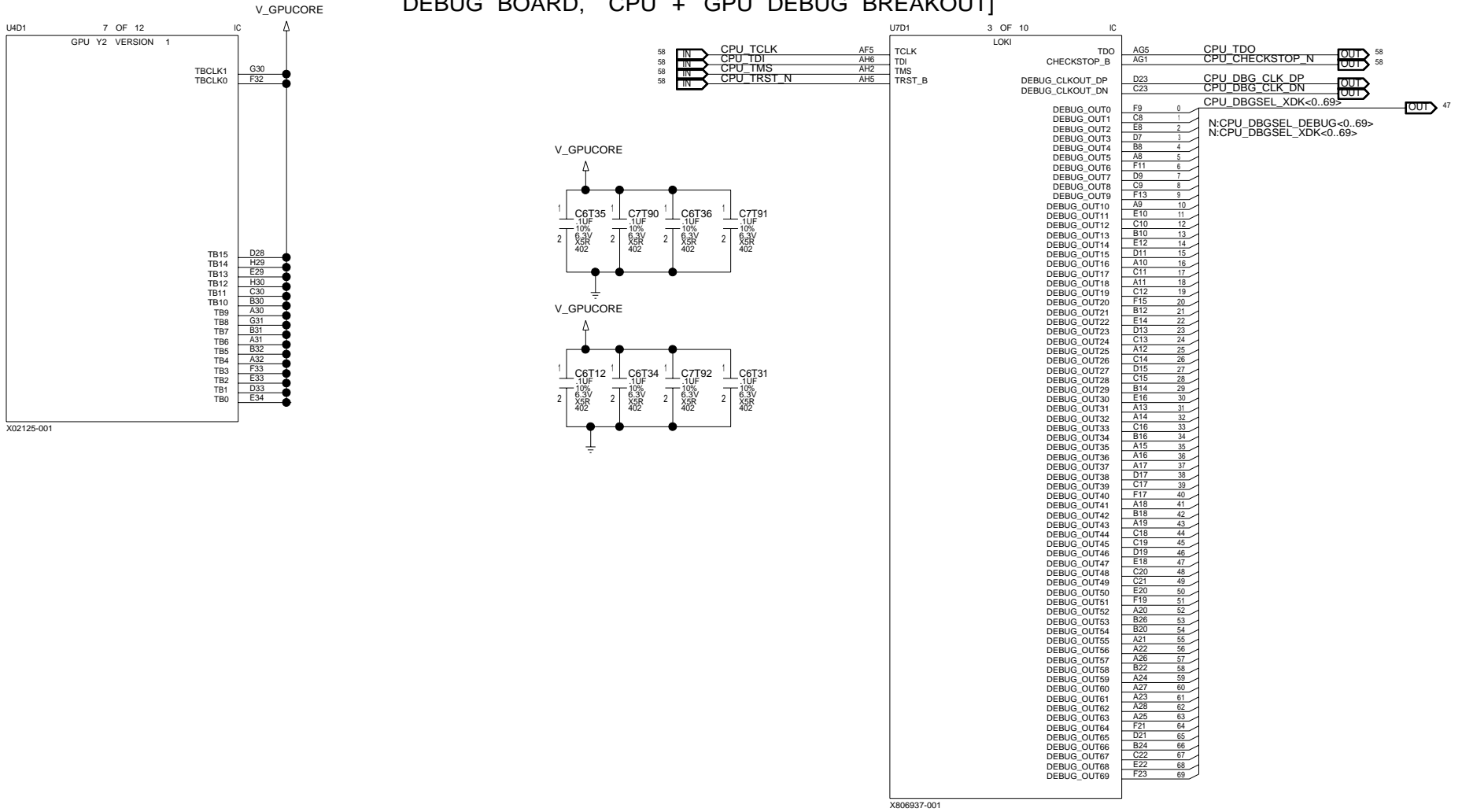


[PAGE_TITLE=XDK. DEBUG CONN]

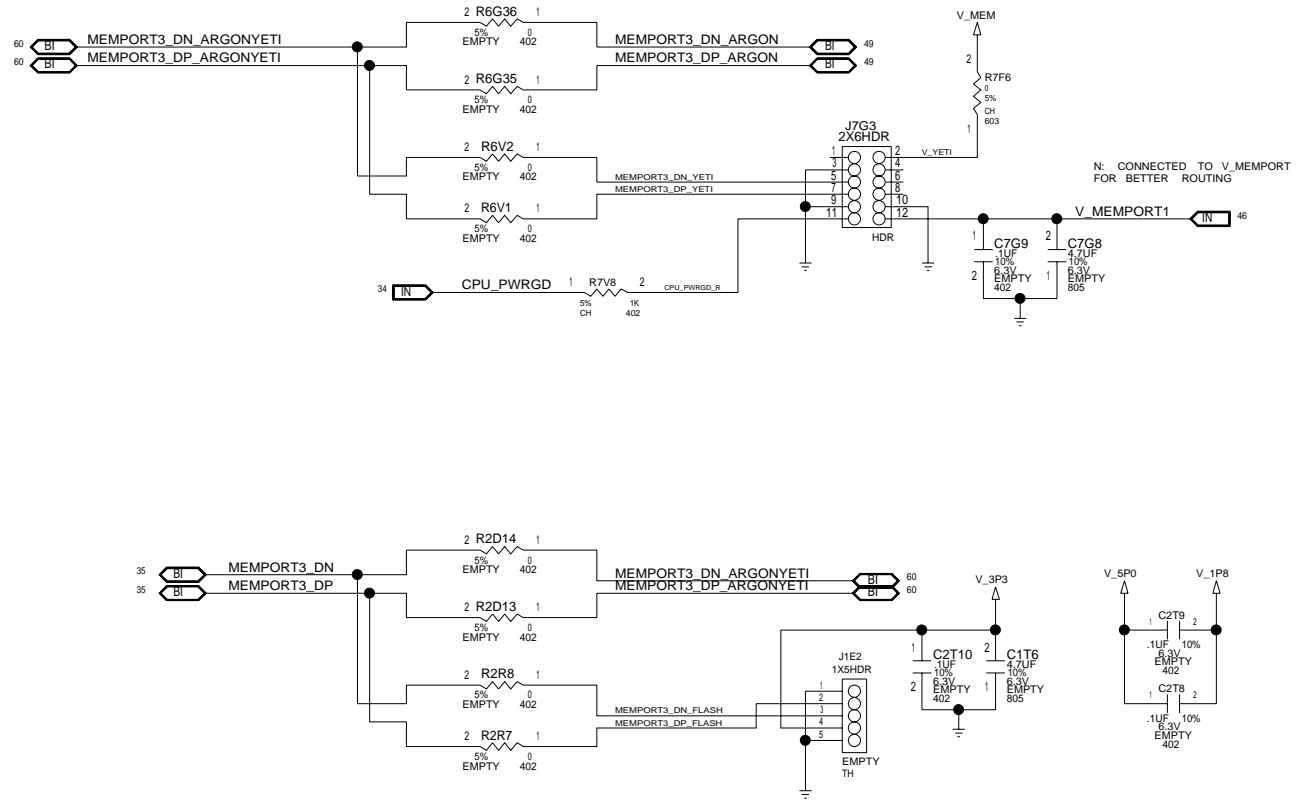
DRAWING
FALCON_FABD
Tue May 08 18:24:19 2007

MICROSOFT CONFIDENTIAL	PROJECT NAME FALCON_RETAIL	PAGE 58/82	REV 1.0
---------------------------	-------------------------------	---------------	------------

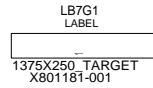
DEBUG BOARD, CPU + GPU DEBUG BREAKOUT



XDK DEBUG, LEDS

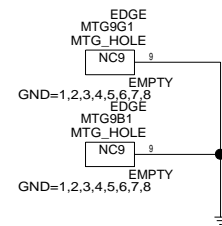
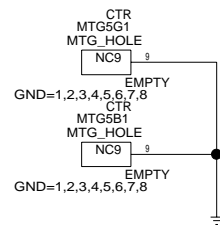
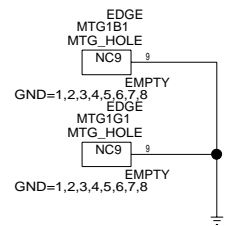


INTELLIGENT SERIAL NUMBER TARGET.

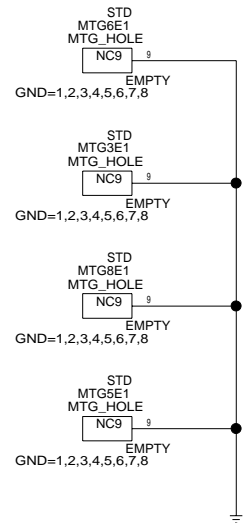
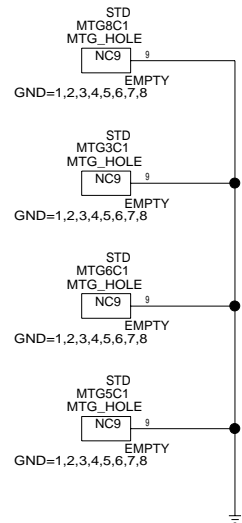


MIDDLE PCB MOUNTING HOLES

EAST PCB MOUNTING HOLES

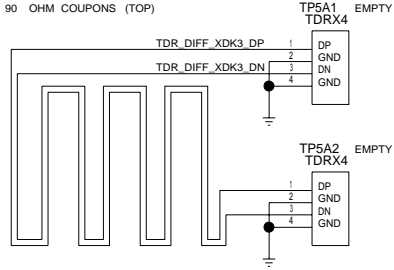


HEAT SINK MOUNTING HOLES

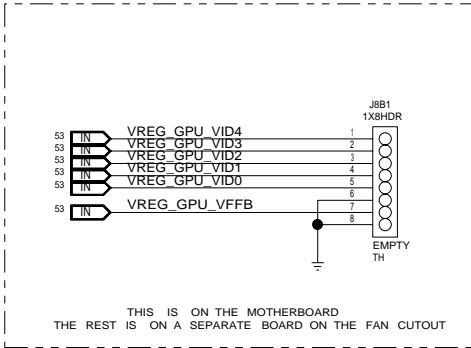


GPU VID BOARD

90 OHM COUPONS (TOP)

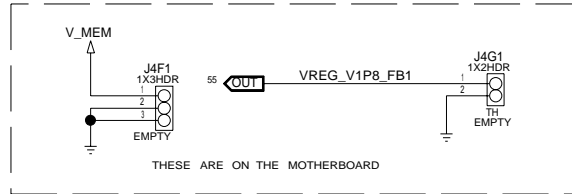
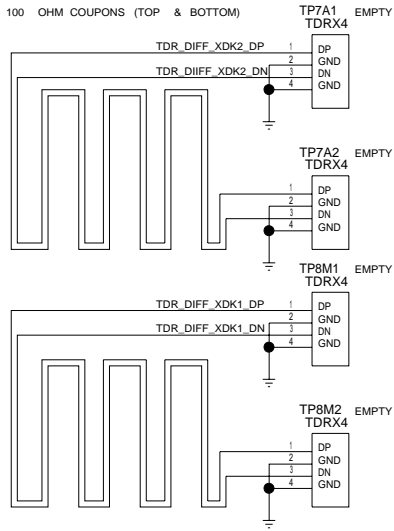


THESE CONNECTORS ARE EMPTY BY DEFAULT
 THEY ARE ONLY STUFFED WHEN VIPER IS REQUIRED



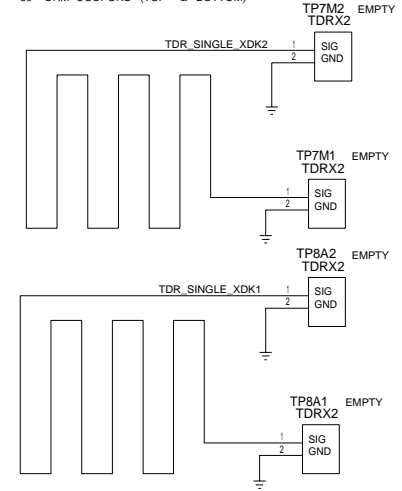
THIS IS ON THE MOTHERBOARD
 THE REST IS ON A SEPARATE BOARD ON THE FAN CUTOUT

100 OHM COUPONS (TOP & BOTTOM)

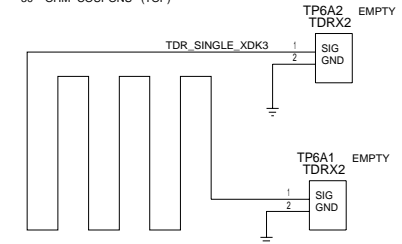


THESE ARE ON THE MOTHERBOARD

60 OHM COUPONS (TOP & BOTTOM)



50 OHM COUPONS (TOP)



Title: Basenet Report
 Design: falcon
 Date: May 8 12:04:43 2007

Base nets and synonyms for
 falcon_lib.FALCON(@falcon_lib.falcon(sch_1))

Base Signal
 Location([Zone][dir])

ADL_FREQ 55B5
 ADL_VREG 55D4 55A7 55B4
 ANA_CLK_OE 34B3 27C8
 ANA_CLK_OE_R 27C7
 ANA_PIX_CLK_2X_DN 27B1 13C8
 ANA_PIX_CLK_2X_DN_R 27C4
 ANA_PIX_CLK_2X_DP 27B1 13C8
 ANA_PIX_CLK_2X_DP_R 27C4
 ANA_RST_N 34C3 27D7
 ANA_V12P0_PWRGD 27D3 34C3 49A5
 ANA_VID_INT 28D3 33B2
 ANA_VRST_OK 27D3 34A8
 ARGONPORT_DN 35C3 49C8
 ARGONPORT_DP 35C3 49C8
 ARGON_CLK 34A1 49B7
 ARGON_DATA 34A1 49B7
 ARGON_DN_CM 49C6
 ARGON_DP_CM 49C6
 ARGON_NTX 45B6
 AUD_ACAP 41C5
 AUD_AC_L 41B5
 AUD_AC_R 41D5
 AUD_CLAMP 34C6 41A6
 AUD_CLAMP_B1 41A6
 AUD_CLAMP_B2 41A4
 AUD_CLAMP_B3 41A2
 AUD_CLAMP_C 41A5
 AUD_CLAMP_L 41B3
 AUD_CLAMP_R 41D3
 AUD_CLK 27A1 36C7
 AUD_CLK_R 27B4
 AUD_DCAP 41C7
 AUD_L_OUT 41C1 44B4
 AUD_RST_N 33B2 41C8
 AUD_R_OUT 41C1 44B4
 AUD_VAA 41D6
 AUD_VDD 41D7
 AUD_VOUTL 41C6
 AUD_VOUTR 41C6
 AV_MODE0 44C1 34B8 44A3
 AV_MODE0_R 34B6
 AV_MODE1 44C1 34B8 44A3
 AV_MODE1_R 34B6
 AV_MODE2 44C1 34B8 44A3
 AV_MODE2_R 34B6
 BINDSW_N 43D6 34B3
 BINDSW_N_R 43D7

BLEEDER_B 47A4
 BLEEDER_C1 47A4
 BLEEDER_C2 47A3
 BLEEDER_V12P0_B1 49A3
 BLEEDER_V12P0_B2 49B2
 BLEEDER_V12P0_C1 49A3
 BLEEDER_V12P0_C2 49A2
 BLEEDER_V12P0_LOAD 49A2
 BND_GAP_CAP 28B6
 BRD_TEMP_N 28A5 28A8
 BRD_TEMP_P 28A1 28A5
 CAL_TEMP_N 28A1 28A8
 CAL_TEMP_P 28A3
 CPU_ANL_1 486
 CPU_ANL_2 486
 CPU_CHECKSTOP_N 59D1 58A1
 CPU_CHECKSTOP_N_LED 58B2
 CPU_CHECKSTOP_N_LED_B 58B3
 CPU_CHECKSTOP_N_LED_C 58B2
 CPU_CHECKSTOP_N_R 58A3
 CPU_CLK_DN 27D1 4D6
 CPU_CLK_DN_C 4D5
 CPU_CLK_DN_R 27C4
 CPU_CLK_DP 27D1 4D6
 CPU_CLK_DP_C 4D5
 CPU_CLK_DP_R 27C4
 CPU_CORE_IF_BGR_PLL 4D3
 CPU_DBGSEL_DEBUG<0..69> 47D3
 CPU_DBGSEL_XDK<0..69> 59D1 47D7
 CPU_DBG_CLK_DN 59D1
 CPU_DBG_CLK_DP 59D1
 CPU_EXT_CLK_EN 4C6
 CPU_FSB_CLK_SEL 4C6
 CPU_FSB_HF_CLKOUT_DN 4C2
 CPU_FSB_HF_CLKOUT_DP 4C2
 CPU_FSB_IMPED_CAL_DN 4C2
 CPU_FSB_IMPED_CAL_DP 4C2
 CPU_PLL_BYPASS 4C6
 CPU_POST_IN<0..4> 4C6
 CPU_PSRO0_OUT 4C3
 CPU_PULSE_LIMIT_BYPASS 4C6
 CPU_PWRGD 34B3 4D8 60C5
 CPU_PWRGD_R 60C4
 CPU_PWRGD_V1P1_N 4D7
 CPU_RES0_DN 4C3
 CPU_RES0_DP 4C3
 CPU_RST_N 34B3 4D8
 CPU_RST_N_2_R 58A4
 CPU_RST_V1P1_N 4D8 58A6
 CPU_SPI_CLK 4B1 4A5
 CPU_SPI_CLK_R 4A4
 CPU_SPI_EN 4B2 4A6
 CPU_SPI_EN_R 4A4
 CPU_SPI_SI 4A1 4B6
 CPU_SPI_SI_R 4A2
 CPU_SPI_SO 4B2 4A5
 CPU_SPI_SO_R 4A4

CPU_SPI_WP_N 4A2
 CPU_SRVID 4B6 57D7
 CPU_SYS_CONFIG0 4C6
 CPU_SYS_CONFIG1 4C6
 CPU_TCLK 58A1 59D5
 CPU_TDI 58A5 59D5
 CPU_TDO 59D1 58A5
 CPU_TEMP_N 4B2 28A8
 CPU_TEMP_P 28A1 4B2
 CPU_TEST_EN 4B5
 CPU_TMS 58A5 59D5
 CPU_TRST_N 58A5 59D5
 CPU_VDDDE 6C5
 CPU_VDDSD0_DN 4C3
 CPU_VDDSD0_DP 4C3
 CPU_VDDSD1_DN 4C3
 CPU_VDDSD1_DP 4C3
 CPU_VGATE 4B5
 CPU_VREG_APS0 4B2 50C7
 CPU_VREG_APS1 4B2 50D7
 CPU_VREG_APS2 4B2 50D7
 CPU_VREG_APS3 4B2 50D7
 CPU_VREG_APS4 4B2 50D7
 CPU_VREG_APS5 4B2 50D7
 DBG_CPU_LINKTRAINED 47C5
 DBG_CPU_PLL_LOCK 47C5
 DBG_CPU_POST_OUT0 47C5
 DBG_CPU_POST_OUT1 47C5
 DBG_CPU_POST_OUT2 47C5
 DBG_CPU_POST_OUT3 47C5
 DBG_CPU_POST_OUT4 47C5
 DBG_CPU_POST_OUT5 47C5
 DBG_CPU_POST_OUT6 47C5
 DBG_CPU_POST_OUT7 47C5
 DBG_CPU_SECURE_SYS 47C5
 DBG_CPU_TST_CLK 47C5
 DBG_LED0 34A8 34A6
 DBG_LED0_LED 34A4
 DBG_LED0_LED_R 34A5
 ECB_CLK_BYP 33D6
 ECB_CLK_SEL 33D6
 EDRAM_TEMP_N 13C8 28A8
 EDRAM_TEMP_P 28A1 13C8
 EJECTSW_N 43C6 34B3 48A1
 EJECTSW_N_R 43C7
 ENET_10BIAS 39B6
 ENET_10_100_OUT 39B5
 ENET_100BIAS 39B6
 ENET_ACT_N 39C3 40B3 45B4
 ENET_AMDIX_EN 39B6
 ENET_AVDD 40C4 40B3 40B6
 ENET_CLK_EN 27A1 39C7 40C6
 ENET_CLK_R 27C4
 ENET_LINK_N 39B2 40B3 45B4
 ENET_P1CL 39B4
 ENET_P2LI_R 39B2 45B4
 ENET_P3TD 39B4

ENET_P4RD 39B3
 ENET_POAC_R 39C3 45B4
 ENET_RDAC 40B3
 ENET_REF_CLK2_OUT 40C5
 ENET_REF_CLK_OUT 39C6
 ENET_RST_N 33A2 39C8 40C6
 ENET_RX_CT 45B4
 ENET_RX_DN 39C1 40B3 45B4
 ENET_RX_DN_R 39C2
 ENET_RX_DP 39D1 40B3 45B4
 ENET_RX_DP_R 39D2
 ENET_TX_CT 45B4
 ENET_TX_DN 39A1 40B3 45B4
 ENET_TX_DN_R 39B2
 ENET_TX_DP 39C1 40B3 45B4
 ENET_TX_DP_R 39B2
 EN_TEST0_N 34A6
 EN_TEST1_N 34A6
 EXPPOINT_DN 35B3 45C8
 EXPPOINT_DN_CM 45C5
 EXPPOINT_DP 35B3 45C8
 EXPPOINT_DP_CM 45C5
 EXT_PWR_ON_DBG 58C5
 EXT_PWR_ON_N 44C1 58A1 58C3 34D8
 44A3
 EXT_PWR_ON_R 34C6
 FAN1_FDBK 43C2 28B6
 FAN1_FDBK_R 43C4
 FAN1_OUT 28B3 43D5
 FAN1_Q1_C 43D4
 FAN1_Q1_E 43C4
 FAN_OP1_DP 28B7
 FLSH_ALE 35C3 42B5
 FLSH_CE_N 35C3 42B5
 FLSH_CLE 35C3 42B5
 FLSH_DATA<7..0> 35C6 42C8
 FLSH_NC38 42C2
 FLSH_READY 42C1 35C7
 FLSH_RE_N 35C3 42B5
 FLSH_WE_N 35C3 42B5
 FLSH_WP_N 35C6 42B5
 FSB_BYPCLK_DN 12D7
 FSB_BYPCLK_DP 12D7
 FSB_BYPCLK_SEL 12D7
 FSB_CLK_DN 4C6
 FSB_CLK_DP 4C6
 FSB_CP_GP0_CLK_DN 5D3 12D8
 FSB_CP_GP0_CLK_DP 5D3 12D8
 FSB_CP_GP0_DATA0_DN 5C3 12C8
 FSB_CP_GP0_DATA0_DP 5C3 12C8
 FSB_CP_GP0_DATA1_DN 5C3 12C8
 FSB_CP_GP0_DATA1_DP 5C3 12C8
 FSB_CP_GP0_DATA2_DN 5C3 12C8
 FSB_CP_GP0_DATA2_DP 5C3 12C8
 FSB_CP_GP0_DATA3_DN 5C3 12C8
 FSB_CP_GP0_DATA3_DP 5C3 12C8
 FSB_CP_GP0_DATA4_DN 5C3 12C8

FSB_CP_GP0_DATA4_DP	5C3	12C8
FSB_CP_GP0_DATA5_DN	5C3	12C8
FSB_CP_GP0_DATA5_DP	5C3	12C8
FSB_CP_GP0_DATA6_DN	5C3	12C8
FSB_CP_GP0_DATA6_DP	5C3	12C8
FSB_CP_GP0_DATA7_DN	5C3	12C8
FSB_CP_GP0_DATA7_DP	5C3	12C8
FSB_CP_GP0_FLAG_DN	5C3	12C8
FSB_CP_GP0_FLAG_DP	5C3	12C8
FSB_CP_GP1_CLK_DN	5C3	12C8
FSB_CP_GP1_CLK_DP	5C3	12C8
FSB_CP_GP1_DATA0_DN	5B3	12B8
FSB_CP_GP1_DATA0_DP	5B3	12B8
FSB_CP_GP1_DATA1_DN	5B3	12B8
FSB_CP_GP1_DATA1_DP	5B3	12B8
FSB_CP_GP1_DATA2_DN	5B3	12B8
FSB_CP_GP1_DATA2_DP	5B3	12B8
FSB_CP_GP1_DATA3_DN	5B3	12B8
FSB_CP_GP1_DATA3_DP	5B3	12B8
FSB_CP_GP1_DATA4_DN	5B3	12B8
FSB_CP_GP1_DATA4_DP	5B3	12B8
FSB_CP_GP1_DATA5_DN	5B3	12B8
FSB_CP_GP1_DATA5_DP	5B3	12B8
FSB_CP_GP1_DATA6_DN	5B3	12B8
FSB_CP_GP1_DATA6_DP	5B3	12B8
FSB_CP_GP1_DATA7_DN	5B3	12B8
FSB_CP_GP1_DATA7_DP	5B3	12B8
FSB_CP_GP1_FLAG_DN	5B3	12B8
FSB_CP_GP1_FLAG_DP	5B3	12B8
FSB_GP_CP0_CLK_DN	12D4	5D7
FSB_GP_CP0_CLK_DP	12D4	5D7
FSB_GP_CP0_DATA0_DN	12C4	5C7
FSB_GP_CP0_DATA0_DP	12C4	5C7
FSB_GP_CP0_DATA1_DN	12C4	5C7
FSB_GP_CP0_DATA1_DP	12C4	5C7
FSB_GP_CP0_DATA2_DN	12C4	5C7
FSB_GP_CP0_DATA2_DP	12C4	5C7
FSB_GP_CP0_DATA3_DN	12C4	5C7
FSB_GP_CP0_DATA3_DP	12C4	5C7
FSB_GP_CP0_DATA4_DN	12C4	5C7
FSB_GP_CP0_DATA4_DP	12C4	5C7
FSB_GP_CP0_DATA5_DN	12C4	5C7
FSB_GP_CP0_DATA5_DP	12C4	5C7
FSB_GP_CP0_DATA6_DN	12C4	5C7
FSB_GP_CP0_DATA6_DP	12C4	5C7
FSB_GP_CP0_DATA7_DN	12C4	5C7
FSB_GP_CP0_DATA7_DP	12C4	5C7
FSB_GP_CP0_FLAG_DN	12C4	5C7
FSB_GP_CP0_FLAG_DP	12C4	5C7
FSB_GP_CP1_CLK_DN	12C4	5C7
FSB_GP_CP1_CLK_DP	12C4	5C7
FSB_GP_CP1_DATA0_DN	12B4	5B7
FSB_GP_CP1_DATA0_DP	12B4	5B7
FSB_GP_CP1_DATA1_DN	12B4	5B7
FSB_GP_CP1_DATA1_DP	12B4	5B7
FSB_GP_CP1_DATA2_DN	12B4	5B7
FSB_GP_CP1_DATA2_DP	12B4	5B7

FSB_GP_CP1_DATA3_DN	12B4	5B7
FSB_GP_CP1_DATA3_DP	12B4	5B7
FSB_GP_CP1_DATA4_DN	12B4	5B7
FSB_GP_CP1_DATA4_DP	12B4	5B7
FSB_GP_CP1_DATA5_DN	12B4	5B7
FSB_GP_CP1_DATA5_DP	12B4	5B7
FSB_GP_CP1_DATA6_DN	12B4	5B7
FSB_GP_CP1_DATA6_DP	12B4	5B7
FSB_GP_CP1_DATA7_DN	12B4	5B7
FSB_GP_CP1_DATA7_DP	12B4	5B7
FSB_GP_CP1_FLAG_DN	12B4	5B7
FSB_GP_CP1_FLAG_DP	12C4	5B7
FSB_IMPED_CAL	12B7	
FSB_IMPED_NCAL	12B7	
GAMEPORT1_DN	35B6	46A8
GAMEPORT1_DN_CM	46B6	
GAMEPORT1_DP	35B6	46A8
GAMEPORT1_DP_CM	46B6	
GAMEPORT2_DN	35B6	46C8
GAMEPORT2_DN_CM	46B6	
GAMEPORT2_DP	35B6	46C8
GAMEPORT2_DP_CM	46B6	
GPU_CLK_DN	27D1	13D7
GPU_CLK_DN_R	27C4	
GPU_CLK_DP	27D1	13D7
GPU_CLK_DP_R	27C4	
GPU_HSYNC_OUT	13C4	28C6
GPU_PIX_CLK_1X	13C3	28D6
GPU_RST_DONE	13D3	34C1
GPU_RST_DONE_R	34B4	
GPU_RST_N	34B3	13D8
GPU_SCAN_BUFF_EN_N	13A7	12A3
GPU_SPL_CLK	13B3	13A7
GPU_SPL_CLK_R	13A5	
GPU_SPL_CS_N	13B3	13A7
GPU_SPL_CS_N_R	13A5	
GPU_SPL_SI	13A2	13B4 13C7
GPU_SPL_SO	13C3	13A7
GPU_SPL_SO_R	13A5	
GPU_SPL_WP_N	13B4	13A4
GPU_SROM_EN_PSR0_OUT	13C5	
GPU_TCLK	13B7	
GPU_TCLK_R	34A8	13C7
GPU_TDI	13B7	
GPU_TDO	13B7	
GPU_TEMP_N	13C8	28A8
GPU_TEMP_P	28A1	13C8
GPU_TMS	13B7	
GPU_TRST	13B7	
GPU_TRST_ED	13B7	
GPU_VSYNC_OUT	13C4	28C6
HANA_AV_CLK	27B4	
HANA_CLK_DRV_RSET1	27C6	
HANA_CLK_DRV_RSET2	27C6	
HANA_DAC_RSET	28C6	
HANA_OP2_DN	28A1	28B6
HANA_OP2_DP	28B6	

HANA_OP2_OUT	28A3	
HANA_POR_BYPASS	27D6	
HANA_SPDIF_OUT	28C3	44D6
HANA_TCLK	27B6	
HANA_TDI	27B6	
HANA_TDO	27B6	
HANA_TMS	27B6	
HANA_TRST	27B6	
HANA_V_12P0_DET	27D6	
HANA_V_12P0_DET_R	27D6	
HANA_XTAL_BYPASS	27C6	
HANA_XTAL_IN	27C6	
HANA_XTAL_OUT	27C6	
HANA_XTAL_VSS_CAP	27C6	
HBEDB_CLK_BYP	33D6	
HBEDB_CLK_SEL	33C6	
HDD_RX_DN	48C8	36B7
HDD_RX_DN_C	48C6	
HDD_RX_DP	48B8	36B7
HDD_RX_DP_C	48B6	
HDD_TX_DN	36B3	48D8
HDD_TX_DN_C	48D6	
HDD_TX_DP	36B3	48D8
HDD_TX_DP_C	48D6	
HDMI_CEC	29C3	
HDMI_DDC_CLK	28C3	34B8 44C1 29B5
HDMI_DDC_DATA	28C3	34C8 44C1 29B5
HDMI_EXT_SWING	28C4	
HDMI_HPD	29B1	28C6
HDMI_HPD_PIN	29B2	
HDMI_TX0_DN	28B1	29B8
HDMI_TX0_DN_CM	29C3	
HDMI_TX0_DP	28B1	29B8
HDMI_TX0_DP_CM	29C3	
HDMI_TX0_DP_R	28B2	
HDMI_TX1_DN	28B1	29C8
HDMI_TX1_DN_CM	29C3	
HDMI_TX1_DP	28B1	29C8
HDMI_TX1_DP_CM	29C3	
HDMI_TX1_DP_R	28B2	
HDMI_TX2_DN	28B1	29D8
HDMI_TX2_DN_CM	29C3	
HDMI_TX2_DP	28C1	29D8
HDMI_TX2_DP_CM	29C3	
HDMI_TX2_DP_R	28C2	
HDMI_TXC_DN	28C1	29A8
HDMI_TXC_DN_CM	29C3	
HDMI_TXC_DP	28C1	29A8
HDMI_TXC_DP_CM	29C3	
HDMI_TXC_DP_R	28C2	
I2S_BCLK	36C1	28C6 41C7
I2S_BCLK_R	36C4	
I2S_MCLK	36C1	41C7
I2S_MCLK_R	36C4	
I2S_SD	36C1	28B6 41C7
I2S_SD1	28C7	
I2S_SD2	28C7	

I2S_SD3	28C7	
I2S_SD_R	36C4	
I2S_WS	36C1	28C6 41C7
I2S_WS_R	36C4	
IR_DATA	43A1	34B6
KER_DBG_RXD	58D4	33C6
KER_DBG_TXD	33C1	58C6
KER_DBG_TXD_R	33C3	
LVLCNT	44B5	
MA_A<11..0>	19C8	20C8 14C5
MA_A<12..0>	14C5	
MA_BA<2..0>	14C5	19B8 20C8
MA_CAS_N	14B5	19B8 20B8
MA_CKE	14B5	19B8 20B8
MA_CLK0_DN	14C5	19C8
MA_CLK0_DP	14C5	19D8
MA_CLK1_DN	14C5	20C8
MA_CLK1_DP	14C5	20D8
MA_CS0_N	14B5	19B8
MA_CS1_N	14B5	19B1 20B8
MA_DM0	14B8	19B4 20B5
MA_DM1	14C8	19B4 20B5
MA_DM2	14C8	19C4 20C5
MA_DM3	14D8	19C4 20C5
MA_DQ0	14B8	19B4 20B5
MA_DQ1	14B8	19B4 20B5
MA_DQ2	14B8	19B4 20B5
MA_DQ3	14B8	19B4 20B5
MA_DQ4	14B8	19B4 20B5
MA_DQ5	14B8	19B4 20B5
MA_DQ6	14B8	19B4 20C5
MA_DQ7	14B8	19B4 20C5
MA_DQ8	14C8	19B4 20B5
MA_DQ9	14C8	19B4 20B5
MA_DQ10	14C8	19B4 20B5
MA_DQ11	14C8	19B4 20B5
MA_DQ12	14C8	19B4 20B5
MA_DQ13	14C8	19B4 20B5
MA_DQ14	14C8	19C4 20B5
MA_DQ15	14C8	19C4 20B5
MA_DQ16	14C8	19C4 20C5
MA_DQ17	14C8	19C4 20C5
MA_DQ18	14C8	19C4 20C5
MA_DQ19	14C8	19C4 20C5
MA_DQ20	14C8	19C4 20C5
MA_DQ21	14C8	19C4 20D5
MA_DQ22	14C8	19C4 20D5
MA_DQ23	14C8	19C4 20D5
MA_DQ24	14D8	19C4 20C5
MA_DQ25	14D8	19C4 20C5
MA_DQ26	14D8	19C4 20C5
MA_DQ27	14D8	19C4 20C5
MA_DQ28	14D8	19C4 20C5
MA_DQ29	14D8	19D4 20C5
MA_DQ30	14D8	19D4 20C5
MA_DQ31	14D8	19D4 20C5
MA_RAS_N	14B5	19B8 20B8

MA_RDQS0	19B4	20B5	14B8
MA_RDQS1	19B4	20B5	14C8
MA_RDQS2	19C4	20C5	14C8
MA_RDQS3	19C4	20C5	14D8
MA_VREF0	14A7		
MA_VREF1	14A8		
MA_WDQS0	14B8	19B4	20B5
MA_WDQS1	14C8	19B4	20B5
MA_WDQS2	14C8	19C4	20C5
MA_WDQS3	14D8	19C4	20C5
MA_WE_N	14B5	19B8	20B8
MA_ZQ_BOT	20B5		
MA_ZQ_TOP	19B5		
MB_A<11..0>	21C8	22C8	14C1
MB_A<12..0>	14C1		
MB_BA<2..0>	14C1	21B8	22B8
MB_CAS_N	14B1	21B8	22B8
MB_CKE	14B1	21B8	22B8
MB_CLK0_DN	14C1	21C8	
MB_CLK0_DP	14C1	21D8	
MB_CLK1_DN	14C1	22C8	
MB_CLK1_DP	14C1	22D8	
MB_CS0_N	14B1	21B8	
MB_CS1_N	14B1	21B1	22B8
MB_DM0	14B4	21B4	22B4
MB_DM1	14C4	21B4	22B4
MB_DM2	14C4	21C4	22C4
MB_DM3	14D4	21C4	22C4
MB_DQ0	14B4	21B5	22B5
MB_DQ1	14B4	21B5	22B5
MB_DQ2	14B4	21B5	22B5
MB_DQ3	14B4	21B5	22B5
MB_DQ4	14B4	21B5	22B5
MB_DQ5	14B4	21B5	22B5
MB_DQ6	14B4	21B5	22B5
MB_DQ7	14B4	21B5	22B5
MB_DQ8	14C4	21B5	22B5
MB_DQ9	14C4	21B5	22B5
MB_DQ10	14C4	21B5	22B5
MB_DQ11	14C4	21B5	22B5
MB_DQ12	14C4	21B5	22B5
MB_DQ13	14C4	21B5	22B5
MB_DQ14	14C4	21B5	22B5
MB_DQ15	14C4	21B5	22B5
MB_DQ16	14C4	21C5	22C5
MB_DQ17	14C4	21C5	22C5
MB_DQ18	14C4	21C5	22C5
MB_DQ19	14C4	21C5	22C5
MB_DQ20	14C4	21C5	22C5
MB_DQ21	14C4	21C5	22C5
MB_DQ22	14C4	21C5	22C5
MB_DQ23	14C4	21C5	22D5
MB_DQ24	14D4	21C5	22C5
MB_DQ25	14D4	21C5	22C5
MB_DQ26	14D4	21C5	22C5
MB_DQ27	14D4	21C5	22C5
MB_DQ28	14D4	21C5	22C5

MB_DQ29	14D4	21C5	22C5
MB_DQ30	14D4	21C5	22C5
MB_DQ31	14D4	21D5	22C5
MB_RAS_N	14B1	21B8	22B8
MB_RDQS0	21B4	22B4	14B4
MB_RDQS1	21B4	22B4	14C4
MB_RDQS2	21C4	22C4	14C4
MB_RDQS3	21C4	22C4	14D4
MB_VREF0	14A4		
MB_VREF1	14A4		
MB_WDQS0	14B4	21B4	22B4
MB_WDQS1	14C4	21B4	22B4
MB_WDQS2	14C4	21C4	22C4
MB_WDQS3	14D4	21C4	22C4
MB_WE_N	14B1	21B8	22B8
MB_ZQ_BOT	22A5		
MB_ZQ_TOP	21A5		
MC_A<11..0>	23C8	24C8	15C5
MC_A<12..0>	15C5		
MC_BA<2..0>	15C5	23B8	24B8
MC_CAS_N	15B5	23B8	24B8
MC_CKE	15C5	23B8	24B8
MC_CLK0_DN	15C5	23C8	
MC_CLK0_DP	15C5	23D8	
MC_CLK1_DN	15C5	24C8	
MC_CLK1_DP	15D5	24D8	
MC_CS0_N	15B5	23B8	
MC_CS1_N	15B5	23B1	24B8
MC_DM0	15B8	23B4	24B4
MC_DM1	15C8	23B4	24B4
MC_DM2	15C8	23C4	24C4
MC_DM3	15D8	23C4	24C4
MC_DQ0	15B8	23B4	24B4
MC_DQ1	15B8	23B4	24B4
MC_DQ2	15B8	23B4	24B4
MC_DQ3	15B8	23B4	24B4
MC_DQ4	15B8	23B4	24B4
MC_DQ5	15B8	23B4	24B4
MC_DQ6	15B8	23B4	24B4
MC_DQ7	15B8	23B4	24C4
MC_DQ8	15C8	23B4	24B4
MC_DQ9	15C8	23B4	24B4
MC_DQ10	15C8	23B4	24B4
MC_DQ11	15C8	23B4	24B4
MC_DQ12	15C8	23B4	24B4
MC_DQ13	15C8	23B4	24B4
MC_DQ14	15C8	23C4	24B4
MC_DQ15	15C8	23C4	24B4
MC_DQ16	15C8	23C4	24C4
MC_DQ17	15C8	23C4	24C4
MC_DQ18	15C8	23C4	24C4
MC_DQ19	15C8	23C4	24C4
MC_DQ20	15C8	23C4	24C4
MC_DQ21	15C8	23C4	24C4
MC_DQ22	15C8	23C4	24D4
MC_DQ23	15D8	23C4	24D4
MC_DQ24	15D8	23C4	24C4

MC_DQ25	15D8	23C4	24C4
MC_DQ26	15D8	23C4	24C4
MC_DQ27	15D8	23C4	24C4
MC_DQ28	15D8	23C4	24C4
MC_DQ29	15D8	23D4	24C4
MC_DQ30	15D8	23D4	24C4
MC_DQ31	15D8	23D4	24C4
MC_RAS_N	15B5	23B8	24B8
MC_RDQS0	23B4	24B4	15B8
MC_RDQS1	23B4	24B4	15C8
MC_RDQS2	23C4	24C4	15C8
MC_RDQS3	23C4	24C4	15D8
MC_VREF0	15A7		
MC_VREF1	15A8		
MC_WDQS0	15B8	23B4	24B4
MC_WDQS1	15C8	23B4	24B4
MC_WDQS2	15C8	23C4	24C4
MC_WDQS3	15D8	23C4	24C4
MC_WE_N	15B5	23B8	24B8
MC_ZQ_BOT	24B5		
MC_ZQ_TOP	23B5		
MD_A<11..0>	25C8	26C8	15C1
MD_A<12..0>	15C1		
MD_BA<2..0>	15C1	25C8	26B8
MD_CAS_N	15B1	25B8	26B8
MD_CKE	15C1	25B8	26B8
MD_CLK0_DN	15C1	25C8	
MD_CLK0_DP	15C1	25D8	
MD_CLK1_DN	15C1	26C8	
MD_CLK1_DP	15D1	26D8	
MD_CS0_N	15B1	25B8	
MD_CS1_N	15B1	25B1	26B8
MD_DM0	15B4	25B4	26B4
MD_DM1	15C4	25B4	26B4
MD_DM2	15C4	25C4	26C4
MD_DM3	15D4	25C4	26C4
MD_DQ0	15B4	25B4	26B5
MD_DQ1	15B4	25B4	26B5
MD_DQ2	15B4	25B4	26B5
MD_DQ3	15B4	25B4	26B5
MD_DQ4	15B4	25B4	26B5
MD_DQ5	15B4	25B4	26B5
MD_DQ6	15B4	25B4	26C5
MD_DQ7	15B4	25B4	26C5
MD_DQ8	15C4	25B4	26B5
MD_DQ9	15C4	25B4	26B5
MD_DQ10	15C4	25B4	26B5
MD_DQ11	15C4	25B4	26B5
MD_DQ12	15C4	25C4	26B5
MD_DQ13	15C4	25C4	26B5
MD_DQ14	15C4	25C4	26B5
MD_DQ15	15C4	25C4	26B5
MD_DQ16	15C4	25C4	26C5
MD_DQ17	15C4	25C4	26C5
MD_DQ18	15C4	25C4	26C5
MD_DQ19	15C4	25C4	26C5
MD_DQ20	15C4	25C4	26C5

MD_DQ21	15C4	25C4	26D5
MD_DQ22	15C4	25C4	26D5
MD_DQ23	15D4	25C4	26D5
MD_DQ24	15D4	25C4	26C5
MD_DQ25	15D4	25C4	26C5
MD_DQ26	15D4	25C4	26C5
MD_DQ27	15D4	25D4	26C5
MD_DQ28	15D4	25D4	26C5
MD_DQ29	15D4	25D4	26C5
MD_DQ30	15D4	25D4	26C5
MD_DQ31	15D4	25D4	26C5
MD_RAS_N	15B1	25B8	26B8
MD_RDQS0	25B4	26B4	15B4
MD_RDQS1	25B4	26B4	15C4
MD_RDQS2	25C4	26C4	15C4
MD_RDQS3	25C4	26C4	15D4
MD_VREF0	15A3		
MD_VREF1	15A4		
MD_WDQS0	15B4	25B4	26B4
MD_WDQS1	15C4	25B4	26B4
MD_WDQS2	15C4	25C4	26C4
MD_WDQS3	15D4	25C4	26C4
MD_WE_N	15B1	25B8	26B8
MD_ZQ_BOT	26B5		
MD_ZQ_TOP	25B5		
MEMPORT1_DN	35C3	46B4	
MEMPORT1_DN_CM	46B2		
MEMPORT1_DP	35C3	46B4	
MEMPORT1_DP_CM	46B2		
MEMPORT2_DN	35B3	46C4	
MEMPORT2_DN_CM	46C2		
MEMPORT2_DP	35B3	46C4	
MEMPORT2_DP_CM	46C2		
MEMPORT3_DN	35B3	60B6	
MEMPORT3_DN_ARGON	49A8	60D3	
MEMPORT3_DN_ARGONYETI	60B3	60D6	
MEMPORT3_DN_ARGON_CM	49A6		
MEMPORT3_DN_FLASH	60A4		
MEMPORT3_DN_YETI	60C4		
MEMPORT3_DP	35B3	60B6	
MEMPORT3_DP_ARGON	49A8	60D3	
MEMPORT3_DP_ARGONYETI	60B3	60D6	
MEMPORT3_DP_ARGON_CM	49A6		
MEMPORT3_DP_FLASH	60A4		
MEMPORT3_DP_YETI	60C4		
MEM_A_VREF0	20A6	19B8	20B8
MEM_A_VREF1	19A6	19B8	20B8
MEM_B_VREF0	22A6	21B8	22B8
MEM_B_VREF1	21A6	21B8	22B8
MEM_CALA	13B7		
MEM_CALB	13B7		
MEM_C_VREF0	24A6	23B8	24B7
MEM_C_VREF1	23A6	23B8	24B7
MEM_D_VREF0	26A7	25B7	26B8
MEM_D_VREF1	25A6	25B7	26B8
MEM_RST	13B3	19C8	20C8
22C8	23C8	24C8	25C8
26C8			

MEM_SCAN_BOT_EN	12A1	20B8	22B8	24B8
26B8				
MEM_SCAN_BOT_EN_BUFF	13B3	12A4		
MEM_SCAN_EN	12D1	19B8	20B8	21B8
22B8	23B8	24B8	25B8	26B8
MEM_SCAN_EN_BUFF	13B3	12D4		
MEM_SCAN_TOP_EN	12B1	19B8	21B8	23B8
25B8				
MEM_SCAN_TOP_EN_BUFF	13B3	12B4		
MII_COL	39B7	40B6	36C7	
MII_CRS	39B7	40B6	36C7	
MII_MDC_CLK_OUT	36D2	39C8	40B6	
MII_MDC_CLK_OUT_R	36D4			
MII_MDIO	36C7	39B8	40B6	
MII_RXD0	39C7	40B7	36C7	
MII_RXD1	39C7	40B6	36C7	
MII_RXD2	39C7	40B6	36C7	
MII_RXD3	39C7	40B6	36C7	
MII_RXDV	39C7	40B6	36C7	
MII_RXER	39C7	40B6	36C7	
MII_RX_CLK	39C7	40C6	36C8	
MII_RX_CLK_R	36C6			
MII_TXD0	36C3	39B7	40B6	
MII_TXD1	36C3	39B7	40B6	
MII_TXD2	36C3	39B7	40B6	
MII_TXD3	36C3	39C7	40B6	
MII_TXEN	36C3	39C7	40B6	
MII_TX_CLK	39C7	40B6	36D8	
MII_TX_CLK_R	36D6			
ODD_RX_DN	48A8	36B7		
ODD_RX_DN_C	48A7			
ODD_RX_DP	48A8	36B7		
ODD_RX_DP_C	48A7			
ODD_TX_DN	36B3	48A8		
ODD_TX_DN_C	48A7			
ODD_TX_DP	36B3	48B8		
ODD_TX_DP_C	48B7			
PCIEX_CLK_DN	27C1	33C6		
PCIEX_CLK_DN_R	27C4			
PCIEX_CLK_DP	27C1	33C6		
PCIEX_CLK_DP_R	27C4			
PCIEX_INT	33B3			
PEX_GPU_SB_L0_DN	13C1	33C7	58A5	
PEX_GPU_SB_L0_DN_C	13D4			
PEX_GPU_SB_L0_DP	13D1	33C7	58A5	
PEX_GPU_SB_L0_DP_C	13D4			
PEX_GPU_SB_L1_DN	13D1	33C7	58A5	
PEX_GPU_SB_L1_DN_C	13D4			
PEX_GPU_SB_L1_DP	13D1	33C7	58A5	
PEX_GPU_SB_L1_DP_C	13D4			
PEX_ICAL	13C8			
PEX_NCAL	13D7			
PEX_PCAL	13D8			
PEX_RBIA50	33C6			
PEX_RBIA51	33C6			
PEX_SB_GPU_L0_DN	33C1	13D8	58A8	
PEX_SB_GPU_L0_DN_C	33C3			

PEX_SB_GPU_L0_DP	33C1	13D8	58A8	
PEX_SB_GPU_L0_DP_C	33C3			
PEX_SB_GPU_L1_DN	33D1	13D8	58A8	
PEX_SB_GPU_L1_DN_C	33C3			
PEX_SB_GPU_L1_DP	33D1	13D8	58A8	
PEX_SB_GPU_L1_DP_C	33C3			
PIX_DATA<14..0>	13C3	28D6		
PSU_V12P0_EN	34B3	49C5		
PSU_V12P0_EN_R	49C2			
PWRSW_N	34C3	49B8		
PWRSW_N_R	49B7			
SATA_CLK_DN	27B1	33D6		
SATA_CLK_DN_R	27C4			
SATA_CLK_DP	27C1	33D6		
SATA_CLK_DP_R	27C4			
SATA_CLK_REF	27B1	33D6		
SATA_CLK_REF_R	27C4			
SATA_CLK_SEL	33D6			
SATA_RBIA5	36B6			
SB_GPIO<0..15>	33B1	33B5		
SB_GPIO_RESERVED6	33B3			
SB_GPIO_RESERVED16	33B3			
SB_GPIO_RESERVED17	33B3			
SB_GPIO_RESERVED18	33B3			
SB_GPIO_RESERVED19	33B3			
SB_GPIO_RESERVED20	33B3			
SB_GPIO_RESERVED21	33B3			
SB_GPIO_RESERVED22	33B3			
SB_GPIO_RESERVED23	33B3			
SB_GPIO_RESERVED24	33B3			
SB_GPIO_RESERVED25	33B3			
SB_GPIO_RESERVED26	33B3			
SB_GPIO_RESERVED27	33B3			
SB_GPIO_RESERVED28	33B3			
SB_GPIO_RESERVED29	33C3			
SB_GPIO_RESERVED30	33C3			
SB_GPIO_RESERVED31	33C3			
SB_MAIN_PWRGD	34B1	34C6		
SB_MAIN_PWRGD_R	34B4			
SB_RST_N	34B3	34C6		
SB_SPDIF_OUT	36B1	28C6		
SB_TCLK	33A5			
SB_TDI	33A5			
SB_TDO	33A5			
SB_TMS	33A5			
SB_TRST	33A5			
SB_USB_RBIA5	35B6			
SCART_RGB	33B2	44A6		
SCART_RGB_OUT	44A3			
SCART_RGB_OUT_R	44A4			
SCART_RGB_R	44A5			
SMB_CLK	34B8	58C7	27B6	
SMB_CLK_R	58C6			
SMB_DATA	27B7	34B8	58C3	
SMB_DATA_R	58C5			
SMC_CPU_CHKSTOP_DETECT	34C8	58A1		
SMC_CPU_CHKSTOP_DETECT_B	58A2			

SMC_DBG_EN	58C6	34C6		
SMC_DBG_RXD	60C5	34D8		
SMC_DBG_RXD_R	58D4	60C8		
SMC_DBG_TXD	34C3	58C6		
SMC_DBG_TXD_R	34C4			
SMC_PWM0	34B3	28B8		
SMC_PWM1	34B4			
SMC_RST_N	27D3	34D6	47A5	58D3
SMC_RST_N_R	27D4			
SMC_RST_XDK_N	58C5			
SPDIF_R	36C4			
SPI_CLK	58D6	35D6		
SPI_MISO	35D2	58D8		
SPI_MISO_R	35D4			
SPI_MOSI	58D6	35D6		
SPI_SS_N	58D8	35D6		
STBY_CLK	27A1	34D6		
STBY_CLK_R	27C4			
TDR_DIFF_XDK1_DN	62A7			
TDR_DIFF_XDK1_DP	62A7			
TDR_DIFF_XDK2_DP	62B7			
TDR_DIFF_XDK3_DN	62C7			
TDR_DIFF_XDK3_DP	62D7			
TDR_DIIFF_XDK2_DN	62B7			
TDR_SINGLE_XDK1	62C2			
TDR_SINGLE_XDK2	62D2			
TDR_SINGLE_XDK3	62B2			
TEMP_RSET	28B6			
TILT_SW_N	43B6	34B3		
TILT_SW_N_R	43B7			
TRAY_OPEN	34D8	48A1		
TRAY_OPEN_R	34C6			
TRAY_STATUS	48A4	34C6		
TRAY_STATUS_R	48A3			
USBPORTA2_DN	35C6			
USBPORTA2_DP	35C6			
USBPORTA3_DN	35C6			
USBPORTA3_DP	35C6			
VID_DACA_DN	28D4			
VID_DACA_DP	28D3	44D8		
VID_DACA_OUT	44D5	44C4		
VID_DACB_DN	28D4			
VID_DACB_DP	28D3	44C8		
VID_DACB_OUT	44C6	44C4		
VID_DACC_DN	28D4			
VID_DACC_DP	28D3	44C8		
VID_DACC_OUT	44C6	44C4		
VID_DACD_DN	28D4			
VID_DACD_DP	28D3	44B8		
VID_DACD_OUT	44B6	44C4		
VID_HSYNC_OUT	44A4	44C4		
VID_HSYNC_OUT_R	28C3	44A7		
VID_VSYNC_OUT	44A6	44C4		
VID_VSYNC_OUT_R	28C3	44A8		
VREG_1P8STBY_ADJ	56A7			
VREG_1P8STBY_D1	56B8			
VREG_1P8STBY_D2	56B7			

VREG_1P8STBY_IN	56B8			
VREG_3P3_EN	34C3	56D8		
VREG_3P3_EN_R	52B7			
VREG_CPU1_VCC	52C7			
VREG_CPU2_VCC	52D7			
VREG_CPU3_VCC	56A2			
VREG_CPUPLL_ADJUST	56A4			
VREG_CPUPLL_IN	56A1			
VREG_CPUPLL_R	52A5			
VREG_CPU_BG1	52B5			
VREG_CPU_BG2	52C5			
VREG_CPU_BG3	52B6			
VREG_CPU_BST1	52A5			
VREG_CPU_BST1_R	52C6			
VREG_CPU_BST2	52C5			
VREG_CPU_BST2_R	52D6			
VREG_CPU_BST3	52D5			
VREG_CPU_BST3_R	51A5			
VREG_CPU_COMP	51A6			
VREG_CPU_COMP_R	51C5			
VREG_CPU_CSCOMP	51B6			
VREG_CPU_CSCOMP_R	51A6			
VREG_CPU_CSREF	51A5			
VREG_CPU_CSREF_R	51B6			
VREG_CPU_CSSUM	51B3			
VREG_CPU_DELAY	52A5			
VREG_CPU_DRVH1	52B5			
VREG_CPU_DRVH2	52D5			
VREG_CPU_DRVH3	51B1	52D8		
VREG_CPU_DRV_EN	34B3	51D7		
VREG_CPU_EN	51A6			
VREG_CPU_FB	51B5			
VREG_CPU_FBRTN	52A1	51C8		
VREG_CPU_PHASE1	51C5			
VREG_CPU_PHASE1_R	52C1	51C8		
VREG_CPU_PHASE2	51C5			
VREG_CPU_PHASE2_R	52D1	51C8		
VREG_CPU_PHASE3	51C5			
VREG_CPU_PHASE3_R	51B3	52A7		
VREG_CPU_PWM1	51C3	52B7		
VREG_CPU_PWM2	51C3	52D7		
VREG_CPU_PWM3	51C2	34C1		
VREG_CPU_PWRGD	51C5			
VREG_CPU_RAMPADJ	51D5			
VREG_CPU_RAMPADJ_R	51B3			
VREG_CPU_RT	52A2			
VREG_CPU_SW1_R	52B2			
VREG_CPU_SW2_R	52C2			
VREG_CPU_SW3_R	51C5			
VREG_CPU_SW4	51D6			
VREG_CPU_VCC	50C2	51C2		
VREG_CPU_VID<5..0>	4D2	56C6		
VREG_EFUSE_EN	56C4			
VREG_EFUSE_EN_C1	56D3			
VREG_EFUSE_EN_C2	56C4			
VREG_EFUSE_EN_R	56C4			
VREG_GPUPCIE_IN	56C4			

VREG_GPU_5VREF	53C3	53C6
VREG_GPU_COMP	53C6	
VREG_GPU_COMP_C	53C8	
VREG_GPU_COMP_R	53C7	
VREG_GPU_CPGD	53B6	
VREG_GPU_CS1	53C6	
VREG_GPU_CS2	53C6	
VREG_GPU_CSREF	53C6	
VREG_GPU_CSREF_R	53A8	
VREG_GPU_EN_N	34C3	53B3
VREG_GPU_EN_N_R	53B1	
VREG_GPU_GH1	53A1	54C7
VREG_GPU_GH1_R	53A3	
VREG_GPU_GH2	53A1	54D7
VREG_GPU_GH2_R	53A3	
VREG_GPU_GL1	53A1	54B7
VREG_GPU_GL1_R	53A3	
VREG_GPU_GL2	53A1	54C7
VREG_GPU_GL2_R	53A3	
VREG_GPU_ILIM	53C4	
VREG_GPU_NPNC	53C2	
VREG_GPU_PH1_R	54B3	
VREG_GPU_PH2_R	54C3	
VREG_GPU_PHASE1	53D1	54B2 53B8
VREG_GPU_PHASE1_C	53D2	
VREG_GPU_PHASE2	54D2	53B8
VREG_GPU_PWRGD	53A1	34D1
VREG_GPU_ROSC	53B6	
VREG_GPU_SEN	53C6	
VREG_GPU_VCCH	53C4	
VREG_GPU_VCCL	53C6	
VREG_GPU_VDRP	53C6	
VREG_GPU_VFB	53C6	
VREG_GPU_VFB_R	53D8	
VREG_GPU_VFFB	53D8	62C5
VREG_GPU_VID0	53C3	62C5
VREG_GPU_VID1	53D3	62C5
VREG_GPU_VID2	53D4	62C5
VREG_GPU_VID3	53D4	62C5
VREG_GPU_VID4	53D4	62C5
VREG_PCIEX_ADJUST	56B3	
VREG_PCIEX_R	56B1	
VREG_V1P8_BST1	55C4	
VREG_V1P8_COMP1	55B4	
VREG_V1P8_COMP1_R	55B3	
VREG_V1P8_CSL1	55C4	
VREG_V1P8_CSL1_R	55C4	
VREG_V1P8_DH1	55C4	
VREG_V1P8_DL1	55C4	
VREG_V1P8_EN	34B3	55A3
VREG_V1P8_FB1	55A1	62B5
VREG_V1P8_FB1_C	55B1	
VREG_V1P8_FB1_R	55A1	
VREG_V1P8_SS1	55B4	
VREG_V1P8_SW1	55C4	
VREG_V1P8_SW1_S	55C3	
VREG_V3P3_ADJ	56D5	

VREG_V5P0_BST2	55C6	
VREG_V5P0_COMP2	55B6	
VREG_V5P0_COMP2_R	55B7	
VREG_V5P0_CSL2	55C6	
VREG_V5P0_CSL2_R	55C6	
VREG_V5P0_DH2	55C6	
VREG_V5P0_DL2	55C6	
VREG_V5P0_EN	34B3	55A8
VREG_V5P0_EN_R	55A6	
VREG_V5P0_FB2	55B8	
VREG_V5P0_FB2_C	55B8	
VREG_V5P0_FB2_R	55B8	
VREG_V5P0_SEL	34B3	47B8
VREG_V5P0_SEL_B1	47B7	
VREG_V5P0_SEL_B2	47B6	
VREG_V5P0_SEL_C	47B7	
VREG_V5P0_SEL_NGATE	47B6	
VREG_V5P0_SEL_PGATE	47B6	
VREG_V5P0_SS2	55B5	
VREG_V5P0_SW2	55C6	
VREG_V5P0_SW2_S	55C7	
VREG_V5P0_VMEM_PWRGD	34A8	55A7
VREG_VCS_COMP	57B6	
VREG_VCS_COMP_C	57B6	
VREG_VCS_COMP_R	57A6	
VREG_VCS_CPUCORE_R	57B8	
VREG_VCS_FB	57B5	
VREG_VCS_FB_COMP	57B3	
VREG_VCS_FB_R	57B3	
VREG_VCS_HDRV	57C4	
VREG_VCS_LDRV	57C4	
VREG_VCS_LTO	57C8	
VREG_VCS_NC	57B4	
VREG_VCS_NC1	57B4	
VREG_VCS_RT	57C5	
VREG_VCS_SS_SD_N	57C7	
VREG_VCS_VOUT_L	57C3	
VREG_VCS_VP	57C5	
VREG_VCS_VREF	57C5	
VREG_VDD_PEX_ADJ	56A7	
VREG_VDD_PEX_R	56A5	
VREG_V_CPUCORE_S	51A7	
VREG_V_MEM_S_0	55B1	
V_AVDD0_SATA	38B6	
V_AVDD1_SATA	38C6	
V_AVDD_PEX	38D6	
V_AVDD_USB	37C6	
V_AVIP	44D3	29D3
V_AVSS0_SATA	38B6	
V_AVSS1_SATA	38C6	
V_AVSS_PEX	38D6	
V_AVSS_USB	37C6	
V_CMPAVDD18_USB	37C6	
V_CMPAVDD33_USB	37A7	37C2
V_CMPAVDD_SATA	38B6	
V_CMPAVSS18_USB	37C6	
V_CMPAVSS33_USB	37C6	

V_CMPAVSS_SATA	38B6	
V_CPU_CORE_HF_GNDA_PLL	6C5	
V_CPU_CORE_HF_VDDA_PLL	6C5	
V_CPU_CORE_IF_GNDA_PLL	6C5	
V_CPU_CORE_IF_VDDA_PLL	6C5	
V_CPU_FSB_HF_GNDA_PLL	6C5	
V_CPU_FSB_HF_VDDA_PLL	6C5	
V_CPU_FSB_IF_GNDA_PLL	6B5	
V_CPU_FSB_IF_VDDA_PLL	6B5	
V_CPU_GNDA_RNG	6B5	
V_CPU_VDDA_RNG	6B5	
V_ENET	39A3	39B8 39B8 39D5
40B3	40C7	45B6
V_EXPPORT	45D2	45B6 45D7
V_FAN1	43C3	
V_GAMEPORT1	46B7	
V_GAMEPORT2	46D7	
V_HANA_VAA_DAC33M	30C7	
V_HANA_VAA_RTS33S	30D6	
V_HANA_VAA_XTAL_33S	30C7	
V_HANA_VDD18S	31D3	
V_HANA_VDDIO_33S_AVCC	31C7	
V_HANA_VDDIO_33S_PVCC0	31B6	
V_HDD	48B4	
V_IR	43A3	
V_MEMPORT1	46D1	60C1
V_MEMPORT2	46D2	
V_PVDDA	16C4	
V_PVDDA_ED	16C5	
V_PVDDA_FSB	16B5	
V_PVDDA_MEM	16C5	
V_V3P3TOV1P8	54A6	
V_VDD18_USB	37C6	
V_VDD33_USB	37B5	
V_VDD_PEX_FB	38D6	
V_VDD_SATA	38B6	
V_VREG_CPU	50B4	51D6 51D7 52D5
52D8		
V_VREG_GPU	50B1	53D4 53D7 54D7
V_VREG_V1P8V5P0	55D4	32D4
V_VREG_VCS	57D2	
V_XPOD	48B3	
V_YETI	60C3	
WSS_CNTL0	33B2	44B6
WSS_CNTL1	33B2	44B6
WSS_CNTL_B	44B4	
WSS_CNTL_E	44B5	
WSS_CNTL_OUT	44B3	
WSS_CNTL_OUT_R	44B4	
XUSB_CLK_BYP	33C6	
XUSB_CLK_SEL	33C6	

Title: Cref Part Report
 Design: falcon
 Date: May 8 12:04:43 2007

C1A2 CAPN_402 [45B3]
 C1A3 CAPN_402 [45D4]
 C1A4 CAPN_402 [45B5]
 C1A5 CAP_P_RDL [39A7]
 C1B1 CAPN_805 [39A6]
 C1B2 CAPN_402 [32B5]
 C1B3 CAPN_402 [32B5]
 C1B4 CAPN_402 [27A5]
 C1C1 CAPN_402 [32B5]
 C1C2 CAPN_402 [33A3]
 C1C3 CAPN_402 [48A7]
 C1C4 CAPN_402 [48A7]
 C1C5 CAPN_402 [48A7]
 C1C6 CAPN_402 [48B7]
 C1C7 CAPN_402 [32C6]
 C1C8 CAPN_402 [32D4]
 C1C9 CAPN_402 [36B6]
 C1C10 CAP_P_RDL [48A6]
 C1C11 CAP_P_RDL [48A5]
 C1C12 CAPN_402 [32B5]
 C1C13 CAPN_603 [48A5]
 C1C14 CAPN_603 [48A6]
 C1C15 CAPN_402 [32B7]
 C1D1 CAPN_603 [48A5]
 C1D2 CAPN_805 [38C2]
 C1D3 CAPN_402 [48A5]
 C1D4 CAPN_603 [48A6]
 C1D6 CAPN_603 [48A5]
 C1D7 CAPN_402 [58D6]
 C1D8 CAPN_402 [32C5]
 C1D9 CAP_P_RDL [48A6]
 C1D10 CAPN_402 [32B5]
 C1D11 CAP_P_RDL [47B5]
 C1E1 CAPN_402 [48B7]
 C1E2 CAPN_402 [48C7]
 C1E3 CAPN_402 [48D7]
 C1E4 CAPN_402 [48D7]
 C1E5 CAP_P_RDL [48B4]
 C1F1 CAPN_402 [32C4]
 C1F2 CAPN_402 [32B5]
 C1F3 CAP_P_RDL [56D4]
 C1F4 CAP_P_RDL [46A2]
 C1F5 CAPN_603 [56D5]
 C1F6 CAPN_603 [46A2]
 C1G1 CAPN_402 [32B5]
 C1M1 CAPN_402 [45B4]
 C1M2 CAPN_805 [45D4]
 C1N1 CAPN_402 [39A6]
 C1N2 CAPN_402 [39A4]
 C1N3 CAPN_402 [39A5]
 C1N4 CAPN_402 [39A5]
 C1N5 CAPN_402 [39A5]

C1N6 CAPN_402 [40A5]
 C1N7 CAPN_805 [40C4]
 C1N8 CAPN_805 [40C5]
 C1N9 CAPN_402 [39A5]
 C1N10 CAPN_402 [39A4]
 C1N11 CAPN_402 [39A4]
 C1N12 CAPN_402 [32C6]
 C1N13 CAPN_402 [32B5]
 C1N14 CAPN_402 [40C4]
 C1P1 CAPN_402 [38A6]
 C1P2 CAPN_805 [38B8]
 C1P3 CAPN_603 [38B7]
 C1P4 CAPN_402 [38B7]
 C1P5 CAPN_603 [38B7]
 C1P6 CAPN_402 [38B7]
 C1P7 CAPN_805 [38B8]
 C1P8 CAPN_805 [38A7]
 C1P9 CAPN_402 [27A7]
 C1P10 CAPN_603 [38A7]
 C1P11 CAPN_402 [38A7]
 C1P13 CAPN_402 [28A5]
 C1R1 CAPN_402 [48A4]
 C1R2 CAPN_402 [58C7]
 C1R3 CAPN_402 [47B5]
 C1R4 CAPN_402 [48A1]
 C1T1 CAPN_603 [48B3]
 C1T2 CAPN_402 [48B3]
 C1T3 CAPN_402 [48B3]
 C1T4 CAPN_603 [48B3]
 C1T5 CAPN_603 [48B4]
 C1T6 CAPN_805 [60B2]
 C1U1 CAPN_805 [56D6]
 C1U2 CAPN_805 [46A3]
 C2A1 CAPN_402 [44D3]
 C2A3 CAPN_402 [44A2]
 C2A4 CAP_P_RDL [45D4]
 C2A6 CAPN_402 [44D5]
 C2A7 CAPN_1206 [41D6]
 C2A8 CAPN_402 [44B4]
 C2A9 CAPN_402 [29D3]
 C2B1 CAPN_805 [41C7]
 C2B2 CAPN_402 [41B2]
 C2B3 CAPN_402 [41C2]
 C2B4 CAPN_402 [41C5]
 C2B5 CAPN_402 [41C7]
 C2B6 CAPN_402 [41C7]
 C2B7 CAPN_603 [41D6]
 C2B8 CAPN_805 [41C5]
 C2B9 CAP_P_1206 [41B5]
 C2B10 CAP_P_1206 [41D5]
 C2B11 CAPN_805 [41C7]
 C2B12 CAPN_402 [58C4]
 C2B14 CAPN_402 [27A5]
 C2B15 CAPN_603 [58C4]
 C2B16 CAPN_402 [33A3]
 C2B17 CAPN_402 [27A4]
 C2C1 CAPN_402 [33D2]

C2C2 CAPN_402 [33D2]
 C2C3 CAPN_402 [33C2]
 C2C4 CAPN_402 [33C2]
 C2C5 CAPN_805 [56A8]
 C2C6 CAPN_402 [56A7]
 C2D1 CAPN_402 [25A2]
 C2D2 CAPN_402 [25A3]
 C2D3 CAPN_805 [23A4]
 C2D4 CAPN_402 [25A1]
 C2D5 CAPN_402 [12A3]
 C2D6 CAP_P_RDL [54A4]
 C2E1 CAPN_402 [23A3]
 C2E2 CAPN_805 [25A4]
 C2E3 CAPN_402 [23A1]
 C2E4 CAPN_402 [12D3]
 C2E5 CAPN_402 [42C5]
 C2E6 CAPN_805 [42C5]
 C2E8 CAPN_805 [23A3]
 C2F1 CAP_P_RDL [55B2]
 C2F2 CAPN_402 [32D5]
 C2F3 CAP_P_RDL [55B2]
 C2G1 CAPN_402 [32C5]
 C2G2 CAP_P_RDL [46B2]
 C2G3 CAPN_805 [46B2]
 C2M2 CAPN_402 [44A1]
 C2M3 CAPN_402 [44A2]
 C2M4 CAPN_402 [44A3]
 C2M5 CAPN_805 [44D4]
 C2N1 CAPN_402 [37A1]
 C2N3 CAPN_402 [44A1]
 C2N4 CAPN_402 [60C6]
 C2P1 CAPN_805 [38A2]
 C2P2 CAPN_402 [37B6]
 C2P3 CAPN_402 [37B6]
 C2P4 CAPN_603 [38A2]
 C2P5 CAPN_402 [37A1]
 C2P6 CAPN_402 [37A6]
 C2P7 CAPN_402 [27A8]
 C2P8 CAPN_805 [37A8]
 C2P9 CAPN_402 [38B2]
 C2P10 CAPN_805 [38C7]
 C2P11 CAPN_402 [38B2]
 C2P12 CAPN_402 [38B3]
 C2P13 CAPN_402 [38B3]
 C2P14 CAPN_402 [38B2]
 C2P15 CAPN_402 [38D2]
 C2P16 CAPN_402 [38D3]
 C2P17 CAPN_402 [38D2]
 C2P18 CAPN_402 [33C6]
 C2P20 CAPN_603 [38C2]
 C2P21 CAPN_402 [38D3]
 C2P22 CAPN_402 [38D4]
 C2P23 CAPN_402 [37B1]
 C2P24 CAPN_402 [37B1]
 C2P25 CAPN_402 [33C7]
 C2P26 CAPN_402 [38D7]
 C2P27 CAPN_603 [38D7]

C2P28 CAPN_402 [38D3]
 C2P29 CAPN_402 [38D1]
 C2P30 CAPN_402 [38D2]
 C2P31 CAPN_402 [38C6]
 C2P32 CAPN_402 [38C7]
 C2P33 CAPN_402 [38D1]
 C2P34 CAPN_603 [37A7]
 C2P35 CAPN_402 [37A7]
 C2P37 CAPN_402 [37B2]
 C2P38 CAPN_402 [37B2]
 C2P39 CAPN_603 [38C2]
 C2P40 CAPN_402 [35B6]
 C2P41 CAPN_402 [37B7]
 C2P42 CAPN_402 [37C6]
 C2P43 CAPN_402 [37C6]
 C2P44 CAPN_402 [37A7]
 C2P45 CAPN_805 [37B7]
 C2P46 CAPN_603 [37C7]
 C2P47 CAPN_603 [37C7]
 C2P48 CAPN_603 [37A7]
 C2P50 CAPN_402 [28D7]
 C2P51 CAPN_603 [34B6]
 C2P52 CAPN_402 [38A7]
 C2R1 CAPN_402 [28D8]
 C2R2 CAPN_402 [28D8]
 C2R3 CAPN_805 [37B8]
 C2R4 CAPN_603 [54A4]
 C2R5 CAPN_805 [37C8]
 C2R6 CAPN_805 [37A8]
 C2R7 CAPN_402 [26A3]
 C2R8 CAPN_402 [26A1]
 C2R9 CAPN_402 [23A7]
 C2R10 CAPN_402 [26A1]
 C2R11 CAPN_402 [42C4]
 C2R12 CAPN_402 [112C3]
 C2R13 CAPN_402 [26A5]
 C2T1 CAPN_402 [24A3]
 C2T2 CAPN_402 [25A7]
 C2T3 CAPN_402 [24A1]
 C2T4 CAPN_402 [32B6]
 C2T5 CAPN_603 [54A5]
 C2T6 CAPN_402 [26A4]
 C2T7 CAPN_805 [26B4]
 C2T8 CAPN_402 [60A2]
 C2T9 CAPN_402 [60B2]
 C2T10 CAPN_402 [60B3]
 C2V1 CAPN_805 [43A3]
 C2V2 CAPN_402 [43A3]
 C3A1 CAPN_402 [44C6]
 C3A2 CAPN_402 [44C6]
 C3A3 CAPN_402 [44D6]
 C3A4 CAPN_402 [44C7]
 C3A5 CAPN_402 [44C7]
 C3A6 CAPN_402 [44D7]
 C3A7 CAPN_402 [44B7]
 C3A8 CAPN_402 [44B6]
 C3A9 CAPN_603 [43C3]

C3B1	CAPN_402	[27B2]
C3B2	CAPN_402	[27A2]
C3B4	CAPN_402	[27A1]
C3B6	CAPN_402	[27D8]
C3B7	CAPN_402	[27D8]
C3B8	CAPN_402	[58B5]
C3B9	CAPN_603	[58B4]
C3B12	CAPN_402	[27A2]
C3C1	CAPN_805	[56A5]
C3C2	CAPN_805	[13A2]
C3C5	CAPN_805	[23A4]
C3C6	CAPN_805	[30C3]
C3D1	CAPN_402	[25A2]
C3D2	CAPN_402	[25A2]
C3D3	CAPN_402	[24A7]
C3D4	CAPN_402	[25A2]
C3D5	CAPN_402	[25A1]
C3D6	CAPN_402	[25A1]
C3E1	CAPN_402	[23A2]
C3E2	CAPN_402	[23A2]
C3E3	CAPN_402	[23A2]
C3E4	CAPN_402	[26A7]
C3E5	CAPN_402	[23A2]
C3E6	CAPN_402	[23A1]
C3E7	CAPN_402	[23A1]
C3E8	CAPN_402	[26A4]
C3F1	CAPN_402	[19A2]
C3F3	CAPN_402	[19A3]
C3F5	CAPN_402	[26A4]
C3F6	CAP_P_RDL	[55B2]
C3G3	CAPN_402	[32C5]
C3N1	CAPN_402	[32B4]
C3N2	CAPN_402	[32D6]
C3N3	CAPN_805	[30C2]
C3N6	CAPN_402	[27A7]
C3N10	CAPN_402	[28D7]
C3P1	CAPN_805	[31D2]
C3P3	CAPN_805	[38D8]
C3P4	CAPN_402	[28D8]
C3R1	CAPN_402	[26A2]
C3R2	CAPN_402	[26A2]
C3R3	CAPN_402	[25D4]
C3R4	CAPN_402	[26A2]
C3R5	CAPN_805	[15A6]
C3R6	CAPN_402	[26A1]
C3R7	CAPN_402	[26A2]
C3R8	CAPN_402	[13A1]
C3R9	CAPN_402	[13A2]
C3T1	CAPN_402	[24A3]
C3T2	CAPN_402	[24A2]
C3T3	CAPN_402	[24A2]
C3T4	CAPN_402	[24C4]
C3T5	CAPN_402	[24A2]
C3T6	CAPN_402	[24A1]
C3T7	CAPN_402	[24A2]
C3U1	CAPN_402	[20A2]
C3U2	CAPN_402	[20A3]

C3U3	CAPN_402	[32B6]
C3U4	CAPN_402	[26A4]
C3U5	CAPN_603	[55B1]
C3V5	CAPN_402	[46B2]
C3V6	CAPN_603	[55D2]
C3V7	CAPN_603	[55C4]
C3V8	CAPN_402	[55A6]
C4A1	CAPN_402	[32C5]
C4B3	CAPN_402	[28A6]
C4B4	CAPN_402	[28C2]
C4B10	CAPN_402	[28B2]
C4B11	CAPN_402	[28B2]
C4B12	CAPN_402	[28C2]
C4B13	CAPN_402	[27D6]
C4C6	CAPN_805	[56B4]
C4D1	CAPN_402	[13D3]
C4D2	CAPN_402	[13D3]
C4D3	CAPN_402	[13D3]
C4D4	CAPN_402	[16D6]
C4D5	CAPN_402	[16D6]
C4D6	CAPN_603	[16D7]
C4D7	CAPN_402	[13C3]
C4F1	CAPN_402	[19A1]
C4F2	CAPN_402	[20A7]
C4F3	CAPN_402	[19A1]
C4F4	CAPN_402	[21A2]
C4F5	CAPN_402	[21A2]
C4F6	CAPN_402	[19A1]
C4F7	CAPN_402	[19A2]
C4F8	CAPN_402	[21A2]
C4F9	CAPN_402	[19A2]
C4F10	CAPN_402	[21A3]
C4F11	CAPN_402	[19A2]
C4F12	CAPN_805	[19A4]
C4F13	CAPN_402	[32D3]
C4F14	CAPN_402	[28A3]
C4F15	CAPN_402	[26A3]
C4G1	CAPN_402	[55B1]
C4N1	CAPN_402	[32A7]
C4N3	CAPN_805	[31C8]
C4N4	CAPN_805	[31B7]
C4N5	CAPN_402	[31C7]
C4N6	CAPN_805	[31C7]
C4N7	CAPN_805	[31B6]
C4N8	CAPN_805	[30B7]
C4N9	CAPN_402	[31C7]
C4N10	CAPN_402	[31C6]
C4N11	CAPN_402	[31B6]
C4N12	CAPN_402	[31C6]
C4N13	CAPN_402	[31C6]
C4N14	CAPN_402	[31C6]
C4N15	CAPN_805	[30C8]
C4N16	CAPN_402	[30C7]
C4N17	CAPN_402	[30A4]
C4N18	CAPN_402	[30A8]
C4N19	CAPN_402	[30A7]
C4N20	CAPN_402	[30A7]

C4N21	CAPN_402	[31C1]
C4N22	CAPN_402	[31C2]
C4N23	CAPN_402	[30C7]
C4N24	CAPN_805	[30C7]
C4N25	CAPN_805	[30B7]
C4N26	CAPN_402	[30A2]
C4N27	CAPN_402	[30A3]
C4N28	CAPN_402	[30A7]
C4N29	CAPN_402	[30C7]
C4N30	CAPN_402	[31C3]
C4N31	CAPN_402	[30A5]
C4N32	CAPN_402	[31C3]
C4N33	CAPN_402	[31C2]
C4N34	CAPN_402	[30A4]
C4N35	CAPN_402	[30D6]
C4N36	CAPN_805	[30D7]
C4N37	CAPN_805	[30D7]
C4N40	CAPN_402	[32C7]
C4N41	CAPN_402	[31C3]
C4N42	CAPN_402	[30A6]
C4P1	CAPN_402	[30A2]
C4P2	CAPN_402	[28B7]
C4P3	CAPN_805	[31D3]
C4P4	CAPN_402	[31D3]
C4P5	CAPN_402	[30A4]
C4P6	CAPN_402	[30A4]
C4P7	CAPN_402	[31C2]
C4P8	CAPN_402	[30A6]
C4P9	CAPN_402	[30A2]
C4P11	CAPN_402	[30A3]
C4P13	CAPN_805	[30C2]
C4P14	CAPN_402	[43C4]
C4R1	CAPN_805	[14A6]
C4R4	CAPN_402	[16C6]
C4R5	CAPN_402	[16B6]
C4R6	CAPN_402	[16C6]
C4R7	CAPN_402	[16B6]
C4R8	CAPN_402	[16C5]
C4R9	CAPN_402	[18A5]
C4R10	CAPN_402	[15A7]
C4R11	CAPN_402	[18D7]
C4R12	CAPN_402	[15A2]
C4R13	CAPN_402	[18D5]
C4R14	CAPN_402	[18C8]
C4R15	CAPN_402	[15A2]
C4R16	CAPN_402	[18D6]
C4R17	CAPN_402	[18C7]
C4R18	CAPN_402	[18A8]
C4R19	CAPN_402	[15A1]
C4R20	CAPN_402	[18D8]
C4R21	CAPN_402	[18C6]
C4R22	CAPN_402	[18C5]
C4R23	CAPN_402	[15A6]
C4R24	CAPN_402	[18B5]
C4R25	CAPN_402	[15A8]
C4R26	CAPN_402	[13A1]
C4R27	CAPN_402	[12A7]

C4R28	CAPN_402	[18D5]
C4R29	CAPN_805	[18D1]
C4R30	CAPN_805	[18C1]
C4R31	CAPN_402	[15A2]
C4R32	CAPN_402	[15A5]
C4R33	CAPN_402	[12A6]
C4R34	CAPN_402	[18B7]
C4R35	CAPN_402	[18B6]
C4R36	CAPN_402	[18B7]
C4R37	CAPN_402	[18C8]
C4R38	CAPN_402	[15A6]
C4R39	CAPN_402	[18B8]
C4R40	CAPN_402	[18B5]
C4R41	CAPN_402	[18B6]
C4R42	CAPN_402	[18A7]
C4R43	CAPN_402	[18A5]
C4R44	CAPN_402	[18C5]
C4R45	CAPN_402	[12A6]
C4R46	CAPN_402	[18B6]
C4R47	CAPN_402	[18C7]
C4R48	CAPN_402	[15A5]
C4R49	CAPN_402	[18A8]
C4R50	CAPN_402	[15A1]
C4R51	CAPN_402	[15A5]
C4R54	CAPN_402	[18D4]
C4R55	CAPN_402	[18C7]
C4R56	CAPN_402	[18B4]
C4R57	CAPN_402	[18B4]
C4R58	CAPN_402	[18A4]
C4R59	CAPN_402	[18C4]
C4R60	CAPN_402	[12A5]
C4R61	CAPN_402	[15A2]
C4R62	CAPN_402	[18A5]
C4R63	CAPN_402	[18A6]
C4R64	CAPN_402	[15A3]
C4R65	CAPN_402	[12A5]
C4R66	CAPN_402	[15A6]
C4R67	CAPN_402	[18A6]
C4R68	CAPN_603	[16C7]
C4R69	CAPN_805	[18C1]
C4R70	CAPN_402	[12A7]
C4T1	CAPN_402	[18A7]
C4T2	CAPN_402	[18A6]
C4T3	CAPN_402	[18A8]
C4T4	CAPN_402	[18B4]
C4T5	CAPN_402	[18C4]
C4T6	CAPN_402	[18C4]
C4T7	CAPN_402	[15A2]
C4T8	CAPN_402	[18A4]
C4T11	CAPN_402	[18B8]
C4T12	CAPN_402	[15A5]
C4T13	CAPN_402	[12A5]
C4T14	CAPN_402	[15A5]
C4T15	CAPN_402	[18C8]
C4T16	CAPN_402	[18A7]
C4T17	CAPN_805	[18C1]
C4T18	CAPN_402	[18B5]

C4T19 CAPN_402 [18B5]
 C4T20 CAPN_402 [18B7]
 C4T21 CAPN_402 [18C6]
 C4T22 CAPN_402 [12A6]
 C4T23 CAPN_402 [18C5]
 C4T24 CAPN_402 [18B5]
 C4T25 CAPN_402 [18B8]
 C4T26 CAPN_402 [18C6]
 C4T27 CAPN_402 [14A6]
 C4T28 CAPN_805 [15A2]
 C4T29 CAPN_402 [14A6]
 C4T30 CAPN_402 [16C6]
 C4T31 CAPN_402 [14A2]
 C4T32 CAPN_402 [14A5]
 C4T33 CAPN_402 [14A2]
 C4T34 CAPN_402 [14A2]
 C4T35 CAPN_402 [14A6]
 C4T36 CAPN_402 [15A4]
 C4T37 CAPN_402 [16C6]
 C4T38 CAPN_402 [15A1]
 C4T39 CAPN_402 [14A1]
 C4T40 CAPN_402 [14A8]
 C4T41 CAPN_402 [14A5]
 C4T42 CAPN_402 [14A5]
 C4T43 CAPN_402 [14A5]
 C4T44 CAPN_402 [14A5]
 C4T45 CAPN_402 [14A7]
 C4T46 CAPN_402 [14A3]
 C4T47 CAPN_805 [14A2]
 C4T48 CAPN_603 [16C7]
 C4U1 CAPN_402 [20A1]
 C4U2 CAPN_402 [20A1]
 C4U3 CAPN_402 [22A2]
 C4U4 CAPN_402 [22A2]
 C4U5 CAPN_402 [20A1]
 C4U6 CAPN_402 [20A2]
 C4U7 CAPN_402 [22A2]
 C4U8 CAPN_402 [20A2]
 C4U9 CAPN_402 [19A7]
 C4U10 CAPN_402 [22A3]
 C4U11 CAPN_402 [20A2]
 C4U12 CAPN_402 [26A3]
 C4V1 CAPN_402 [55B8]
 C4V6 CAPN_402 [46D2]
 C4V7 CAPN_603 [55D3]
 C4V8 CAPN_603 [55C6]
 C4V9 CAPN_402 [55B4]
 C4V10 CAPN_402 [55B3]
 C4V11 CAPN_402 [55B2]
 C4V12 CAPN_402 [55B7]
 C4V13 CAPN_402 [55B6]
 C4V14 CAPN_402 [55B5]
 C4V15 CAPN_603 [55C6]
 C5B1 CAPN_603 [56C7]
 C5B2 CAP_P_RDL [56C6]
 C5B3 CAPN_805 [56C8]
 C5B4 CAP_P_RDL [56B6]

C5B6 CAPN_603 [56B6]
 C5B7 CAP_P_RDL [49B3]
 C5C3 CAPN_402 [13A3]
 C5C5 CAPN_805 [56B1]
 C5C6 CAPN_603 [54C3]
 C5C8 CAP_P_8X8 [50A1]
 C5C9 CAP_P_8X8 [50A1]
 C5D2 CAPN_805 [18D3]
 C5D3 CAPN_805 [18C2]
 C5D4 CAPN_805 [18C2]
 C5D5 CAPN_805 [18B2]
 C5D6 CAPN_805 [18B2]
 C5E1 CAPN_402 [14A4]
 C5F1 CAPN_402 [22A7]
 C5F2 CAPN_402 [21A1]
 C5F3 CAPN_402 [21A1]
 C5F4 CAPN_402 [21A1]
 C5F5 CAPN_402 [21A2]
 C5F6 CAPN_805 [21A4]
 C5F8 CAP_P_RDL [21A4]
 C5G1 CAPN_402 [32C3]
 C5G3 CAPN_402 [32C5]
 C5G4 CAP_P_RDL [46D2]
 C5G5 CAPN_402 [32C4]
 C5G6 CAPN_805 [46D2]
 C5N1 CAPN_402 [32A7]
 C5N2 CAPN_402 [32B4]
 C5N3 CAPN_805 [56B8]
 C5P1 CAPN_402 [56B3]
 C5R1 CAPN_805 [18B3]
 C5R2 CAPN_805 [18B3]
 C5R3 CAPN_805 [18A3]
 C5R4 CAPN_805 [18C3]
 C5R5 CAPN_805 [18C3]
 C5R6 CAPN_805 [18A3]
 C5R7 CAPN_402 [16C5]
 C5R8 CAPN_402 [18B5]
 C5R9 CAPN_402 [18A5]
 C5R10 CAPN_402 [18C5]
 C5R11 CAPN_805 [18A3]
 C5R12 CAPN_402 [18C5]
 C5R13 CAPN_402 [16A6]
 C5R14 CAPN_402 [18A5]
 C5R15 CAPN_402 [16A6]
 C5R16 CAPN_402 [18C5]
 C5R17 CAPN_402 [18A5]
 C5R18 CAPN_402 [12A6]
 C5R19 CAPN_603 [16A7]
 C5R20 CAPN_805 [18B3]
 C5T1 CAPN_402 [14A1]
 C5T2 CAPN_402 [14A1]
 C5T3 CAPN_402 [14A2]
 C5T4 CAPN_402 [14A2]
 C5U1 CAPN_402 [22A1]
 C5U2 CAPN_402 [22A1]
 C5U3 CAPN_402 [22A1]
 C5U4 CAPN_402 [22A2]

C5U5 CAPN_402 [21A7]
 C5V1 CAPN_402 [32C6]
 C6B1 CAPN_402 [32C5]
 C6B2 CAPN_1206 [54D5]
 C6B3 CAP_P_RDL [50B3]
 C6B5 CAPN_1206 [50B2]
 C6C1 CAP_P_RDL [50A2]
 C6C2 CAP_P_RDL [50A2]
 C6C3 CAP_P_RDL [50A3]
 C6D1 CAPN_402 [6C7]
 C6D4 CAPN_603 [6C6]
 C6E1 CAPN_805 [18C2]
 C6E2 CAPN_805 [18C3]
 C6F1 CAPN_402 [4A2]
 C6F3 CAP_P_RDL [55D8]
 C6G2 CAPN_402 [49D6]
 C6G3 CAPN_402 [49C6]
 C6G4 CAPN_402 [49C6]
 C6G5 CAP_P_RDL [49D6]
 C6N1 CAPN_402 [32B7]
 C6N2 CAPN_1206 [50B2]
 C6P1 CAPN_805 [56A4]
 C6R1 CAPN_402 [56A3]
 C6R2 CAPN_402 [6B7]
 C6R3 CAPN_402 [6B7]
 C6R4 CAPN_603 [6B6]
 C6R5 CAPN_603 [6B6]
 C6R6 CAPN_402 [5A4]
 C6R7 CAPN_805 [9D3]
 C6R10 CAPN_805 [9C3]
 C6R12 CAPN_402 [11A6]
 C6R13 CAPN_402 [11A7]
 C6R14 CAPN_402 [5A6]
 C6R15 CAPN_402 [5A7]
 C6R16 CAPN_402 [10B6]
 C6R17 CAPN_402 [10C7]
 C6R18 CAPN_402 [5A6]
 C6R19 CAPN_402 [10B6]
 C6R20 CAPN_402 [10B5]
 C6R21 CAPN_402 [10A5]
 C6R23 CAPN_402 [10B5]
 C6R24 CAPN_402 [11D5]
 C6R25 CAPN_402 [5A6]
 C6R26 CAPN_402 [11C7]
 C6R28 CAPN_402 [10C7]
 C6R29 CAPN_402 [10C7]
 C6R30 CAPN_402 [11B3]
 C6R32 CAPN_402 [10D5]
 C6R35 CAPN_402 [10A6]
 C6R36 CAPN_402 [10C5]
 C6R37 CAPN_402 [5A5]
 C6R39 CAPN_402 [10B7]
 C6R41 CAPN_402 [11A7]
 C6R42 CAPN_402 [10B7]
 C6R44 CAPN_402 [10D5]
 C6R47 CAPN_805 [18D2]
 C6T1 CAPN_805 [9A5]

C6T2 CAPN_402 [10D3]
 C6T3 CAPN_402 [11B7]
 C6T4 CAPN_402 [11D3]
 C6T6 CAPN_402 [10C5]
 C6T7 CAPN_402 [5A5]
 C6T9 CAPN_402 [11B7]
 C6T10 CAPN_402 [10D4]
 C6T11 CAPN_402 [11C3]
 C6T12 CAPN_402 [59C5]
 C6T13 CAPN_402 [11C6]
 C6T14 CAPN_402 [11C5]
 C6T16 CAPN_402 [11C7]
 C6T17 CAPN_402 [11D4]
 C6T18 CAPN_402 [11C4]
 C6T19 CAPN_402 [5A5]
 C6T21 CAPN_402 [11A6]
 C6T22 CAPN_402 [11B5]
 C6T24 CAPN_402 [11D6]
 C6T25 CAPN_402 [10B4]
 C6T26 CAPN_402 [10A5]
 C6T27 CAPN_402 [5A5]
 C6T31 CAPN_402 [59C4]
 C6T32 CAPN_402 [5A4]
 C6T33 CAPN_402 [5A4]
 C6T34 CAPN_402 [59C5]
 C6T35 CAPN_402 [59C5]
 C6T36 CAPN_402 [59C5]
 C6U1 CAPN_603 [55B8]
 C6U2 CAPN_603 [55D7]
 C6V10 CAPN_402 [49B6]
 C6V11 CAPN_402 [49B6]
 C6V15 CAPN_402 [49B7]
 C7B1 CAPN_402 [32D5]
 C7B2 CAPN_1206 [54C5]
 C7B3 CAP_P_RDL [50B3]
 C7B4 CAPN_1206 [50B1]
 C7C1 CAP_P_RDL [50A3]
 C7C2 CAP_P_RDL [50A4]
 C7C3 CAP_P_RDL [50A2]
 C7D1 CAPN_603 [6A7]
 C7D2 CAPN_603 [6A6]
 C7D3 CAPN_805 [9C5]
 C7D4 CAPN_805 [9C4]
 C7D5 CAPN_805 [9B5]
 C7D7 CAPN_805 [9B4]
 C7D8 CAPN_805 [9C4]
 C7D11 CAPN_805 [9B5]
 C7D12 CAPN_805 [9C5]
 C7D18 CAPN_805 [9C4]
 C7D19 CAPN_805 [9C5]
 C7D23 CAPN_402 [58A5]
 C7E1 CAPN_805 [9C5]
 C7E2 CAPN_805 [9C5]
 C7E5 CAPN_805 [9B5]
 C7E6 CAPN_805 [9D5]
 C7E9 CAPN_805 [9B6]
 C7E10 CAPN_805 [9B6]

C7F1 CAP_P_RDL [55D2]
 C7F3 CAP_P_RDL [55B8]
 C7F4 CAP_P_RDL [57C2]
 C7F5 CAPN_1206 [57C1]
 C7G2 CAPN_402 [32D7]
 C7G3 CAPN_1206 [57C2]
 C7G4 CAPN_1206 [57C2]
 C7G5 CAPN_603 [57C1]
 C7G7 CAP_P_RDL [57C2]
 C7G8 CAPN_805 [60C2]
 C7G9 CAPN_402 [60C2]
 C7N1 CAPN_402 [32B7]
 C7N2 CAPN_402 [32A4]
 C7N3 CAPN_1206 [50B1]
 C7P1 CAPN_805 [56A1]
 C7R1 CAPN_402 [6C7]
 C7R2 CAPN_805 [9C6]
 C7R3 CAPN_805 [9D5]
 C7R4 CAPN_805 [9A4]
 C7R5 CAPN_805 [9B4]
 C7R7 CAPN_603 [6C6]
 C7R14 CAPN_402 [11C5]
 C7R19 CAPN_402 [10C6]
 C7R20 CAPN_402 [11C6]
 C7R21 CAPN_402 [11B7]
 C7R22 CAPN_402 [10D6]
 C7R23 CAPN_805 [9A5]
 C7R24 CAPN_805 [9A5]
 C7R25 CAPN_805 [9A4]
 C7R26 CAPN_805 [9B6]
 C7R27 CAPN_805 [9D4]
 C7R28 CAPN_805 [9C3]
 C7R29 CAPN_805 [9C3]
 C7R30 CAPN_805 [9A5]
 C7R31 CAPN_402 [11D7]
 C7R32 CAPN_402 [11A5]
 C7R33 CAPN_402 [11A5]
 C7R34 CAPN_402 [10C6]
 C7R35 CAPN_402 [10C6]
 C7R39 CAPN_402 [11B6]
 C7R40 CAPN_402 [11B6]
 C7R41 CAPN_402 [11B6]
 C7R42 CAPN_402 [11C6]
 C7R43 CAPN_402 [10B6]
 C7R44 CAPN_402 [10D7]
 C7R48 CAPN_402 [10C4]
 C7R49 CAPN_402 [10D7]
 C7R50 CAPN_402 [10C5]
 C7R51 CAPN_402 [10D5]
 C7R52 CAPN_402 [10D5]
 C7R56 CAPN_402 [11C7]
 C7R57 CAPN_402 [10B5]
 C7R58 CAPN_402 [10B5]
 C7R59 CAPN_402 [10B5]
 C7R60 CAPN_402 [10A5]
 C7R61 CAPN_402 [10A6]
 C7R65 CAPN_402 [11A3]

C7R66 CAPN_402 [11D3]
 C7R67 CAPN_402 [10A7]
 C7R68 CAPN_402 [10C5]
 C7R69 CAPN_402 [10B5]
 C7R74 CAPN_402 [11B3]
 C7R75 CAPN_1206 [11B5]
 C7R76 CAPN_402 [10B7]
 C7R81 CAPN_402 [10C5]
 C7R82 CAPN_402 [11B3]
 C7R83 CAPN_402 [11B4]
 C7R89 CAPN_402 [10B4]
 C7R90 CAPN_805 [9C5]
 C7R91 CAPN_805 [9B4]
 C7R95 CAPN_402 [11D4]
 C7R99 CAPN_402 [10A4]
 C7R100 CAPN_402 [10A4]
 C7R101 CAPN_402 [11C4]
 C7R102 CAPN_402 [10C5]
 C7R106 CAPN_402 [11C5]
 C7R110 CAPN_402 [11D5]
 C7R111 CAPN_402 [10C3]
 C7R112 CAPN_603 [4D6]
 C7R113 CAPN_603 [4D6]
 C7R114 CAPN_402 [6D5]
 C7R115 CAPN_402 [6D5]
 C7R116 CAPN_402 [6D5]
 C7R119 CAPN_805 [9C5]
 C7R120 CAPN_805 [9B5]
 C7R121 CAPN_805 [9B5]
 C7T1 CAPN_805 [9A6]
 C7T2 CAPN_402 [10A5]
 C7T3 CAPN_402 [10A7]
 C7T4 CAPN_805 [9B3]
 C7T5 CAPN_805 [9B4]
 C7T6 CAPN_805 [9A6]
 C7T7 CAPN_402 [11D2]
 C7T8 CAPN_402 [11C2]
 C7T9 CAPN_402 [10D6]
 C7T10 CAPN_402 [10C3]
 C7T11 CAPN_402 [11B5]
 C7T12 CAPN_402 [11C2]
 C7T13 CAPN_402 [11C2]
 C7T14 CAPN_402 [11D2]
 C7T15 CAPN_402 [11C3]
 C7T16 CAPN_402 [11B2]
 C7T17 CAPN_402 [11B2]
 C7T18 CAPN_402 [11B2]
 C7T19 CAPN_402 [11A2]
 C7T20 CAPN_402 [11A2]
 C7T21 CAPN_402 [10D3]
 C7T22 CAPN_402 [10D4]
 C7T23 CAPN_402 [11A3]
 C7T24 CAPN_402 [11C3]
 C7T25 CAPN_402 [11D6]
 C7T26 CAPN_402 [11A4]
 C7T27 CAPN_402 [10C4]
 C7T28 CAPN_402 [11C5]

C7T29 CAPN_402 [11D2]
 C7T30 CAPN_402 [11D2]
 C7T31 CAPN_402 [11C2]
 C7T32 CAPN_805 [9B6]
 C7T33 CAPN_805 [9C6]
 C7T37 CAPN_402 [10B4]
 C7T38 CAPN_402 [11D5]
 C7T39 CAPN_402 [11B4]
 C7T40 CAPN_402 [11B5]
 C7T41 CAPN_402 [11B5]
 C7T46 CAPN_402 [11A5]
 C7T47 CAPN_402 [11A5]
 C7T48 CAPN_402 [11A4]
 C7T49 CAPN_402 [11B5]
 C7T50 CAPN_402 [11C5]
 C7T51 CAPN_402 [10C4]
 C7T54 CAPN_402 [11D7]
 C7T55 CAPN_402 [11B4]
 C7T56 CAPN_402 [11C5]
 C7T57 CAPN_402 [11C4]
 C7T58 CAPN_402 [11D5]
 C7T83 CAPN_805 [9B5]
 C7T84 CAPN_805 [9B5]
 C7T90 CAPN_402 [59C5]
 C7T91 CAPN_402 [59C4]
 C7T92 CAPN_402 [59C5]
 C7T93 CAPN_805 [9C6]
 C7T94 CAPN_805 [9D6]
 C7T98 CAPN_603 [56C2]
 C7T99 CAPN_603 [56C1]
 C7T100 CAPN_603 [56D3]
 C7T102 CAPN_805 [57C1]
 C7T103 CAPN_805 [57C1]
 C7U5 CAPN_603 [57C6]
 C7U6 CAPN_402 [57C6]
 C7U7 CAPN_402 [57A6]
 C7U8 CAPN_402 [57B6]
 C7U9 CAPN_603 [57C4]
 C7U10 CAPN_402 [57A6]
 C7U11 CAPN_402 [57A5]
 C7V2 CAPN_603 [57C1]
 C8A1 CAPN_402 [49C3]
 C8A2 CAPN_402 [49C2]
 C8B1 CAP_P_RDL [49B3]
 C8B2 CAPN_1206 [50B4]
 C8B3 CAPN_603 [53D2]
 C8B4 CAPN_1206 [50B2]
 C8B6 CAPN_603 [54B3]
 C8B7 CAPN_402 [53A7]
 C8B8 CAPN_603 [53A7]
 C8B9 CAPN_805 [53D5]
 C8C1 CAP_P_RDL [50A5]
 C8C2 CAP_P_RDL [50A8]
 C8D1 CAP_P_RDL [50A6]
 C8D4 CAP_P_RDL [50A5]
 C8E1 CAP_P_RDL [50A7]
 C8E2 CAP_P_RDL [50A6]

C8E3 CAP_P_RDL [50A8]
 C8F1 CAP_P_RDL [50A7]
 C8F2 CAPN_603 [57C4]
 C8G1 CAPN_402 [51A5]
 C8G2 CAPN_402 [32C4]
 C8G4 CAPN_1206 [57C3]
 C8G5 CAP_P_RDL [51D5]
 C8N1 CAPN_603 [53C2]
 C8N3 CAPN_805 [53D6]
 C8N4 CAPN_402 [53B5]
 C8N5 CAPN_603 [53C7]
 C8P1 CAPN_603 [53C8]
 C8P2 CAPN_402 [53C7]
 C8P3 CAPN_603 [53B7]
 C8P4 CAPN_603 [53A6]
 C8P5 CAPN_402 [58A3]
 C8U1 CAPN_603 [51B3]
 C8U2 CAPN_402 [51B2]
 C8U3 CAPN_603 [51B5]
 C8U4 CAPN_402 [51C5]
 C8U5 CAPN_402 [57B3]
 C8U6 CAPN_402 [51A6]
 C8U7 CAPN_603 [51A7]
 C8U8 CAPN_402 [51A5]
 C8U9 CAPN_402 [59C4]
 C8U10 CAPN_402 [51B4]
 C8V1 CAPN_603 [51B6]
 C8V15 CAPN_603 [51D6]
 C9A1 CAPN_603 [49D3]
 C9A2 CAPN_603 [49D2]
 C9A3 CAPN_402 [58C2]
 C9A4 CAPN_402 [49B2]
 C9A5 CAPN_603 [49D3]
 C9A6 CAPN_603 [49D3]
 C9B1 CAP_P_RDL [49D4]
 C9B2 CAPN_1206 [50B8]
 C9B3 CAPN_603 [53C2]
 C9B4 CAPN_1206 [50B6]
 C9C1 CAP_P_RDL [50B7]
 C9C2 CAPN_603 [53B3]
 C9C3 CAPN_1206 [50B5]
 C9C4 CAP_P_RDL [50B7]
 C9C5 CAPN_603 [52C1]
 C9C7 CAPN_402 [32B7]
 C9D1 CAPN_1206 [52D2]
 C9D2 CAP_P_RDL [50B6]
 C9D3 CAPN_1206 [52D3]
 C9D4 CAPN_1206 [52C3]
 C9E1 CAPN_1206 [52C2]
 C9E2 CAPN_402 [32C7]
 C9E3 CAP_P_RDL [50B7]
 C9E4 CAPN_603 [52B1]
 C9F1 CAPN_1206 [52A2]
 C9F2 CAPN_402 [32C7]
 C9F3 CAPN_603 [52A1]
 C9F4 CAPN_1206 [52A3]
 C9G1 CAPN_402 [46D6]

C9G2	CAP_P_RDL	[46D6]	
C9G3	CAP_P_RDL	[46B6]	
C9G4	CAPN_402	[46B6]	
C9G5	CAPN_805	[46D6]	
C9G6	CAPN_805	[46B7]	
C9N1	CAPN_402	[32B4]	
C9P1	CAPN_603	[53C8]	
C9P2	CAPN_805	[52D4]	
C9P3	CAPN_805	[52D5]	
C9P4	CAPN_805	[52D7]	
C9T1	CAPN_805	[52C4]	
C9T2	CAPN_805	[52C5]	
C9T3	CAPN_805	[52C7]	
C9U1	CAPN_805	[52A4]	
C9U2	CAPN_805	[52B5]	
C9U3	CAPN_805	[52A7]	
CM2A1	CMCHOKE_SM	[29D6]	
CM2A2	CMCHOKE_SM	[29C6]	
CM3A1	CMCHOKE_SM	[29B6]	
CM3A2	CMCHOKE_SM	[29A6]	
CR1D1	MBT3904DUAL_S OT	[47B6]	
CR1D2	DIOSOT23S_SOT 23S	[48A2]	
CR1D3	DIOSOT23S_SOT 23S	[48A1]	
CR2A1	MBT3904DUAL_S OT	[44B5]	
CR2M2	MBT3904DUAL_S OT	[41A3]	
CR3A1	BAV99DUAL_SOT 363	[44B8 44C8]	
CR3A2	BAV99DUAL_SOT 363	[44D8 44C8]	
CR3M1	BAV99DUAL_SOT 363	[29B4 29B3]	
CR3M2	BAV99DUAL_SOT 363	[44A7 44A6]	
CR6T1	MBT3904DUAL_S OT	[56C4]	
CR7V2	MBR0520L_SOD1 23	[57B4]	
D1A1	DIOSOT23S_SOT 23S	[45C6]	
D1A2	DIOSOT23S_SOT 23S	[45D6]	
D1B1	DIOSOT23S_SOT 23S	[45B6]	
D1E1	DIOSOT23S_SOT 23S	[48B6]	
D1E2	DIOSOT23S_SOT 23S	[48C6]	
D1E3	DIOSOT23S_SOT 23S	[48C5]	
D1E4	DIOSOT23S_SOT 23S	[48D5]	
D1F1	LED_SM	[34A3]	

D2A1	DIOSOT23S_SOT 23S	[44D4]	
D3A1	DIODE_SOT23	[43C3]	
D3V1	BAT54A_SOT23S	[55D6]	
D5B1	DIODE_SMA	[56B7]	
D5N1	DIODE_SOD123	[56B8]	
D5N2	DIODE_SOD123	[56B8]	
D8B1	ZENER_SOD123	[53C2]	
D8B2	DIODE_SOT23	[53D3]	
D8B3	DIOSOT23S_SOT 23S	[53D2]	
D8B4	LED_SM	[58B2]	
D9C1	DIODE_SOT23	[52D6]	
D9E1	DIODE_SOT23	[52C6]	
D9F1	DIODE_SOT23	[52B6]	
D9G1	DIOSOT23S_SOT 23S	[46C6]	
D9G2	DIOSOT23S_SOT 23S	[46C6]	
D9V1	DIOSOT23S_SOT 23S	[46A6]	
D9V2	DIOSOT23S_SOT 23S	[46A6]	
DB1F1	DBPAD_TP	[34A7]	
DB1N1	DBPAD_TP	[40C5]	
DB1N3	DBPAD_TP	[39B5]	
DB1N4	DBPAD_TP	[39C7]	
DB1N5	DBPAD_TP	[33D6]	
DB1P1	DBPAD_TP	[33B2]	
DB1P2	DBPAD_TP	[33B2]	
DB2B1	DBPAD_TP	[34B3]	
DB2N3	DBPAD_TP	[33B2]	
DB2N4	DBPAD_TP	[33B2]	
DB2N5	DBPAD_TP	[33B2]	
DB2N6	DBPAD_TP	[33B2]	
DB2N7	DBPAD_TP	[33B2]	
DB2N8	DBPAD_TP	[33C6]	
DB2N9	DBPAD_TP	[33B2]	
DB2N10	DBPAD_TP	[33B2]	
DB2N11	DBPAD_TP	[33B2]	
DB2N12	DBPAD_TP	[33B2]	
DB2P1	DBPAD_TP	[33C2]	
DB2P2	DBPAD_TP	[33C2]	
DB2P3	DBPAD_TP	[33C2]	
DB2P4	DBPAD_TP	[33B2]	
DB2P5	DBPAD_TP	[33B2]	
DB2P6	DBPAD_TP	[33B2]	
DB2P7	DBPAD_TP	[33B2]	
DB2P8	DBPAD_TP	[34A6]	
DB2P9	DBPAD_TP	[34A6]	
DB2P15	DBPAD_TP	[33D6]	
DB3A1	DBPAD_TP	[29C3]	
DB3F1	DBPAD_TP	[55C1]	
DB4D1	DBPAD_TP	[13C3]	
DB4P1	DBPAD_TP	[28A2]	
DB4P2	DBPAD_TP	[28A2]	
DB4P3	DBPAD_TP	[28A2]	

DB4P4	DBPAD_TP	[28A2]	
DB4P5	DBPAD_TP	[28B5]	
DB6E1	DBPAD_TP	[47C4]	
DB6E2	DBPAD_TP	[47C4]	
DB6E3	DBPAD_TP	[47C4]	
DB6E4	DBPAD_TP	[47C4]	
DB6G1	DBPAD_TP	[55C8]	
DB7R1	DBPAD_TP	[4C1]	
DB7R2	DBPAD_TP	[4C6]	
DB7U1	DBPAD_TP	[57B4]	
DB7U2	DBPAD_TP	[57C7]	
DB8F4	DBPAD_TP	[57C5]	
DB8M1	DBPAD_TP	[49D2]	
DB8M2	DBPAD_TP	[49D2]	
DB8M3	DBPAD_TP	[49D2]	
DB8N1	DBPAD_TP	[49C3]	
DB8P1	DBPAD_TP	[50B5]	
DB8P2	DBPAD_TP	[50B5]	
DB8U1	DBPAD_TP	[57D6]	
DB8U2	DBPAD_TP	[57C6]	
DB8U3	DBPAD_TP	[57B4]	
DB8U4	DBPAD_TP	[51C5]	
EG1A1	ESDGuard_603	[45C4]	
EG1A2	ESDGuard_603	[45C5]	
EG1E1	ESDGuard_603	[48C3]	
EG1E2	ESDGuard_603	[48C4]	
EG1E3	ESDGuard_603	[48C4]	
EG1E4	ESDGuard_603	[48C5]	
EG2A1	ESDGuard_402	[29D6]	
EG2A2	ESDGuard_402	[29D6]	
EG2A3	ESDGuard_402	[29C6]	
EG2A4	ESDGuard_402	[29C6]	
EG2B1	ESDGuard_603	[41B5]	
EG2B2	ESDGuard_603	[41C5]	
EG2G1	ESDGuard_603	[46B1]	
EG3A1	ESDGuard_402	[29B5]	
EG3A2	ESDGuard_402	[29B6]	
EG3A3	ESDGuard_402	[29A5]	
EG3A4	ESDGuard_402	[29A6]	
EG3G1	ESDGuard_603	[46B2]	
EG3M1	ESDGuard_603	[29B2]	
EG3M2	ESDGuard_402	[29B4]	
EG3M3	ESDGuard_402	[29B3]	
EG4G1	ESDGuard_603	[46C2]	
EG4G2	ESDGuard_603	[46C2]	
EG9G1	ESDGuard_603	[46C5]	
EG9G2	ESDGuard_603	[46D5]	
EG9V1	ESDGuard_603	[46A5]	
EG9V2	ESDGuard_603	[46A5]	
FB1B1	FERRITE_603	[39A6]	
FB1N1	FERRITE_603	[40C5]	
FB1P1	FERRITE_603	[38B7]	
FB1P2	FERRITE_603	[38C7]	
FB1P3	FERRITE_603	[38A7]	
FB1P4	FERRITE_603	[38B7]	
FB2B1	FERRITE_603	[41B3]	
FB2B2	FERRITE_603	[41D3]	

FB2P1	FERRITE_603	[37A7]	
FB2P2	FERRITE_603	[38D7]	
FB2P3	FERRITE_603	[37C7]	
FB2P4	FERRITE_603	[37C7]	
FB2P5	FERRITE_603	[37A7]	
FB2R1	FERRITE_603	[37B7]	
FB4D1	FERRITE_603	[16D7]	
FB4N5	FERRITE_603	[30D7]	
FB4N6	FERRITE_603	[31C7]	
FB4N7	FERRITE_603	[31B6]	
FB4N8	FERRITE_603	[30C7]	
FB4P1	FERRITE_603	[31D2]	
FB4R1	FERRITE_603	[16C7]	
FB4T1	FERRITE_603	[16C7]	
FB5G1	FERRITE_603	[46D2]	
FB5R1	FERRITE_603	[16B7]	
FB6D1	FERRITE_603	[6C7]	
FB6R1	FERRITE_603	[6B7]	
FB6R2	FERRITE_603	[6B7]	
FB7D1	FERRITE_603	[6A7]	
FB7R1	FERRITE_603	[6D7]	
FT1N1	FTPAD_TP	[33A2]	
FT1N2	FTPAD_TP	[45D3]	
FT1P1	FTPAD_TP	[27B1]	
FT1P2	FTPAD_TP	[27B1]	
FT1R1	FTPAD_TP	[47A8]	
FT1R2	FTPAD_TP	[47B3]	
FT1R3	FTPAD_TP	[42C7]	
FT1R4	FTPAD_TP	[42C7]	
FT1R5	FTPAD_TP	[42C7]	
FT1T1	FTPAD_TP	[42C4]	
FT1U1	FTPAD_TP	[56D4]	
FT1U2	FTPAD_TP	[34A7]	
FT1V1	FTPAD_TP	[46A1]	
FT2M1	FTPAD_TP	[41D6]	
FT2M2	FTPAD_TP	[29D4]	
FT2M3	FTPAD_TP	[29D4]	
FT2M4	FTPAD_TP	[29D4]	
FT2M5	FTPAD_TP	[29D4]	
FT2N1	FTPAD_TP	[41D7]	
FT2N2	FTPAD_TP	[41C8]	
FT2N3	FTPAD_TP	[27D3]	
FT2N4	FTPAD_TP	[27B1]	
FT2N5	FTPAD_TP	[34C8]	
FT2N6	FTPAD_TP	[29B3]	
FT2P1	FTPAD_TP	[41B6]	
FT2P2	FTPAD_TP	[27A1]	
FT2P3	FTPAD_TP	[53A2]	
FT2P4	FTPAD_TP	[27C8]	
FT2P5	FTPAD_TP	[34B1]	
FT2P6	FTPAD_TP	[53B2]	
FT2P7	FTPAD_TP	[27D7]	
FT2P10	FTPAD_TP	[34C6]	
FT2P11	FTPAD_TP	[4D8]	
FT2P12	FTPAD_TP	[4D8]	
FT2P13	FTPAD_TP	[13D4]	
FT2P14	FTPAD_TP	[13D8]	

FT2P15	FTPAD_TP	[34C8]
FT2P16	FTPAD_TP	[51C2]
FT2P17	FTPAD_TP	[51C7]
FT2P18	FTPAD_TP	[55A7]
FT2P19	FTPAD_TP	[55A3]
FT2P20	FTPAD_TP	[35C6]
FT2P21	FTPAD_TP	[35C6]
FT2P22	FTPAD_TP	[35C6]
FT2P23	FTPAD_TP	[35C6]
FT2P24	FTPAD_TP	[34C8]
FT2P25	FTPAD_TP	[34A7]
FT2P26	FTPAD_TP	[56A5]
FT2R2	FTPAD_TP	[27A1]
FT2R3	FTPAD_TP	[42C7]
FT2R4	FTPAD_TP	[42C7]
FT2R5	FTPAD_TP	[42C7]
FT2R6	FTPAD_TP	[42C7]
FT2R7	FTPAD_TP	[42C7]
FT2R8	FTPAD_TP	[54A4]
FT2U1	FTPAD_TP	[55C1]
FT3M1	FTPAD_TP	[29D4]
FT3M2	FTPAD_TP	[29D4]
FT3M3	FTPAD_TP	[29D4]
FT3M4	FTPAD_TP	[29D4]
FT3P1	FTPAD_TP	[27C1]
FT3P2	FTPAD_TP	[27C1]
FT3P3	FTPAD_TP	[34A7]
FT3P4	FTPAD_TP	[27D3]
FT4N1	FTPAD_TP	[28A6]
FT4N2	FTPAD_TP	[29C3]
FT4N4	FTPAD_TP	[28A6]
FT4N5	FTPAD_TP	[27B4]
FT4P1	FTPAD_TP	[27D7]
FT4P2	FTPAD_TP	[27B1]
FT4P3	FTPAD_TP	[27B1]
FT4P4	FTPAD_TP	[27D3]
FT5N1	FTPAD_TP	[56C6]
FT5N2	FTPAD_TP	[56B5]
FT5R1	FTPAD_TP	[56C1]
FT5R2	FTPAD_TP	[50A2]
FT6U1	FTPAD_TP	[47C4]
FT6U2	FTPAD_TP	[47C4]
FT6U3	FTPAD_TP	[47C4]
FT6U4	FTPAD_TP	[47C4]
FT6U5	FTPAD_TP	[47C4]
FT6U6	FTPAD_TP	[47C4]
FT6U7	FTPAD_TP	[47C4]
FT6U8	FTPAD_TP	[47C4]
FT6U9	FTPAD_TP	[47D5]
FT6U10	FTPAD_TP	[47D5]
FT6U11	FTPAD_TP	[47D5]
FT6V1	FTPAD_TP	[55C8]
FT7R1	FTPAD_TP	[4A7]
FT7R2	FTPAD_TP	[4A7]
FT7R3	FTPAD_TP	[56A1]
FT7R4	FTPAD_TP	[4A7]
FT7R5	FTPAD_TP	[4A7]

FT7R6	FTPAD_TP	[4A7]
FT7R7	FTPAD_TP	[58A5]
FT7T1	FTPAD_TP	[4B3]
FT7T2	FTPAD_TP	[4B3]
FT7T3	FTPAD_TP	[4B2]
FT7T4	FTPAD_TP	[4B2]
FT7T5	FTPAD_TP	[4B2]
FT7T6	FTPAD_TP	[56D1]
FT7T7	FTPAD_TP	[4B3]
FT7T8	FTPAD_TP	[56C6]
FT7T9	FTPAD_TP	[50A5]
FT7U3	FTPAD_TP	[57C1]
FT7U4	FTPAD_TP	[50A4]
FT8N1	FTPAD_TP	[49C3]
FT8P1	FTPAD_TP	[53D7]
FT8P2	FTPAD_TP	[53D7]
FT8U1	FTPAD_TP	[51B5]
FT8U2	FTPAD_TP	[51B5]
FT9N1	FTPAD_TP	[49D3]
J1A1	XENONRJ45USB_TH	[45B2]
J1C1	1X7SATA_TH	[48A7]
J1D1	2X6HDR2_TH	[48A2]
J1D2	2X5HDR10_TH	[58D7]
J1E1	XENONHDD_TH	[48C2]
J1E2	1X5HDR_TH	[60A3]
J2A1	HDMI_1X19HDR	[29C1]
J2B1	2X7HDR14_TH	[58C5]
J2D1	2X3HDR_TH	[33A6]
J2D2	2X4HDR_TH	[13A8]
J3A1	XENONAVIP_TH	[44C2]
J3A2	1X3HDR_TH	[43C2]
J3C1	PCIEXMIDBUS_S M	[58A7]
J4F1	1X3HDR_TH	[62B5]
J4G1	1X2HDR_TH	[62B4]
J4G2	XENONMU_TH	[46C1]
J5C1	2X3HDR_TH	[27A6]
J5C2	2X3HDR_TH	[13A5]
J6G1	XENONRF_TH	[49B5]
J7G3	2X6HDR_TH	[60C3]
J8B1	1X8HDR_TH	[62C4]
J8C1	2X5HDR_TH	[58A3]
J9A1	XENONPWR_TH	[49C1]
J9A2	1X2HDR_SM	[58C2]
J9G1	XENONGAME_TH	[46B5]
L1B1	CMCHOKE_SM	[45C6]
L2G1	CMCHOKE_SM	[46B2]
L3A1	INDUCTOR_1210	[44C7]
L3A2	INDUCTOR_1210	[44C7]
L3A3	INDUCTOR_1210	[44D7]
L3A4	INDUCTOR_1210	[44B7]
L3F1	INDUCTOR_TH	[55C2]
L4G1	CMCHOKE_SM	[46C3]
L6C1	INDUCTOR_TH	[54D2]
L6F1	INDUCTOR_TH	[55C7]
L6G1	CMCHOKE_TH	[49C6]

L6G2	CMCHOKE_SM	[49A6]
L7C1	INDUCTOR_TH	[54B2]
L7F1	INDUCTOR_TH	[55D5]
L7G1	INDUCTOR_TH	[57D1]
L8B1	INDUCTOR_TH	[50B4]
L8D1	INDUCTOR_TH	[52D1]
L8E1	INDUCTOR_TH	[52B1]
L8F1	INDUCTOR_TH	[52A1]
L8F2	INDUCTOR_TH	[57C2]
L9B1	INDUCTOR_TH	[50B8]
L9G1	CMCHOKE_SM	[46C7]
L9V1	CMCHOKE_SM	[46A7]
LB7G1	LABEL_SM	[61D5]
MTG1B1	STD_MTG_HOLE_TH	[61C6]
MTG1G1	STD_MTG_HOLE_TH	[61C6]
MTG3C1	STD_MTG_HOLE_TH	[61B6]
MTG3E1	STD_MTG_HOLE_TH	[61B4]
MTG5B1	STD_MTG_HOLE_TH	[61C5]
MTG5C1	STD_MTG_HOLE_TH	[61A6]
MTG5E1	STD_MTG_HOLE_TH	[61A4]
MTG5G1	STD_MTG_HOLE_TH	[61C5]
MTG6C1	STD_MTG_HOLE_TH	[61A6]
MTG6E1	STD_MTG_HOLE_TH	[61B4]
MTG8C1	STD_MTG_HOLE_TH	[61B6]
MTG8E1	STD_MTG_HOLE_TH	[61A4]
MTG9B1	STD_MTG_HOLE_TH	[61C3]
MTG9G1	STD_MTG_HOLE_TH	[61C3]
Q1G2	NPN_SOT23	[47A3]
Q1G3	PNP_SOT23	[28A4]
Q1V1	NPN_SOT23	[47A4]
Q2F3	FET_VREG_DPAK	[55B3]
Q2N1	PNP_SOT23	[41A5]
Q2N3	PNP_SOT23	[44A4]
Q2P1	NPN_SOT23	[58A1]
Q3F1	FET_VREG_DPAK	[55C3]
Q3M1	PNP_DPAK	[43D3]
Q3M2	NPN_SOT23	[43D4]
Q6B1	FET_VREG_DPAK	[54D5]
Q6B2	FET_VREG_DPAK	[54C5]
Q6C1	FET_VREG_DPAK	[54C4]
Q6F1	FET_VREG_DPAK	[55C7]
Q6F2	FET_VREG_DPAK	[55B7]
Q7B1	FET_VREG_DPAK	[54C5]

Q7B2	FET_VREG_DPAK	[54B5]
Q7C1	FET_VREG_DPAK	[54B4]
Q7F1	FET_SOT23	[57C7]
Q7U1	NPN_SOT23	[57B7]
Q8B3	FET_SOT23	[53B1]
Q8B4	NPN_SOT23	[49A2]
Q8B5	NPN_SOT23	[49A3]
Q8B6	NPN_SOT23	[58B2]
Q8C1	FET_VREG_DPAK	[52C3]
Q8F1	FET_VREG_DPAK	[52A3]
Q8N1	PNP_2C_SOT223	[49B1]
Q9C1	FET_VREG_DPAK	[52C4]
Q9D1	FET_VREG_DPAK	[52D3]
Q9D2	FET_VREG_DPAK	[52D4]
Q9D3	FET_VREG_DPAK	[52B3]
Q9D4	FET_VREG_DPAK	[52C3]
Q9E1	FET_VREG_DPAK	[52C4]
Q9E3	FET_VREG_DPAK	[52B4]
Q9F1	FET_VREG_DPAK	[52A4]
Q9F2	FET_VREG_DPAK	[52A4]
Q9F4	FET_VREG_DPAK	[52A3]
R1A1	RESN_402	[39B2]
R1A2	RESN_402	[39B2]
R1A3	RESN_402	[39C2]
R1A4	RESN_402	[39D2]
R1A5	RESN_402	[45B5]
R1B1	RESN_603	[45C7]
R1B2	RESN_603	[45D7]
R1B3	RESN_402	[36B3]
R1B4	RESN_402	[39B3]
R1B5	RESN_402	[39B3]
R1B6	RESN_402	[39C4]
R1B7	RESN_402	[39D4]
R1B9	RESN_402	[36D7]
R1B10	RESN_402	[36C7]
R1B11	RESN_402	[39B7]
R1B12	RESN_402	[40B6]
R1B13	RESN_402	[39C3]
R1C1	RESN_402	[39C7]
R1C2	RESN_402	[33B7]
R1C3	RESN_402	[36D3]
R1C4	RESN_402	[33B8]
R1C5	RESN_402	[33B8]
R1C6	RESN_402	[33B7]
R1C7	RESN_402	[33B8]
R1C8	RESN_402	[36B6]
R1D2	RESN_402	[42B5]
R1D3	RESN_402	[42B5]
R1D4	RESN_402	[42B5]
R1D5	RESN_402	[47A6]
R1D6	RESN_402	[47B7]
R1E1	RESN_1210	[54A7]
R1E2	RESN_402	[42C5]
R1E3	RESN_1210	[54A7]
R1F7	RESN_402	[56D7]
R1F8	RESN_402	[56D7]
R1G1	RESN_1206	[47B3]

R1G2 RESN_402 [47B4]
R1G3 RESN_402 [43C6]
R1G4 RESN_402 [43C7]
R1M1 RESN_603 [39C2]
R1M2 RESN_603 [39B2]
R1M3 RESN_402 [45B5]
R1N1 RESN_402 [39B7]
R1N2 RESN_402 [39B7]
R1N3 RESN_402 [39B6]
R1N4 RESN_402 [39B6]
R1N5 RESN_402 [39B3]
R1N6 RESN_402 [39B4]
R1N7 RESN_402 [39B4]
R1N8 RESN_402 [40A3]
R1P1 RESN_402 [33B7]
R1P2 RESN_402 [33B8]
R1P3 RESN_402 [33B8]
R1P5 RESN_402 [33B7]
R1P6 RESN_402 [33B8]
R1P7 RESN_402 [35C6]
R1R1 RESN_402 [35D3]
R1R2 RESN_402 [47B7]
R1R3 RESN_402 [47B6]
R1R4 RESN_402 [48A3]
R1R5 RESN_402 [47B6]
R1U1 RESN_402 [56D5]
R1U2 RESN_402 [56D5]
R1U3 RESN_402 [34A4]
R1V1 RESN_402 [47A4]
R1V2 RESN_1206 [47B3]
R2A1 RESN_402 [44A2]
R2A2 RESN_402 [34B7]
R2A4 RESN_402 [44B5]
R2A5 RESN_402 [44B4]
R2A6 RESN_402 [44B5]
R2A7 RESN_402 [44B5]
R2A8 RESN_402 [44C5]
R2A9 RESN_402 [44B5]
R2A11 RESN_603 [29D7]
R2A12 RESN_603 [29C7]
R2A13 RESN_603 [29C7]
R2A14 RESN_603 [29B7]
R2B1 RESN_603 [41D6]
R2B2 RESN_402 [41B4]
R2B3 RESN_402 [41D4]
R2B4 RESN_402 [41B4]
R2B5 RESN_402 [41C4]
R2B6 RESN_603 [41D8]
R2B8 RESN_402 [33B6]
R2B9 RESN_402 [33B6]
R2B10 RESN_402 [33B7]
R2B11 RESN_402 [36C2]
R2B12 RESN_402 [36C3]
R2B13 RESN_402 [36C2]
R2B14 RESN_402 [36C3]
R2B15 RESN_402 [36B2]
R2B16 RESN_402 [34A7]

R2B19 RESN_402 [34A7]
R2C1 RESN_603 [38D7]
R2C3 RESN_402 [56A6]
R2D1 RESN_402 [42B6]
R2D2 RESN_402 [42C2]
R2D3 RESN_402 [42B6]
R2D4 RESN_402 [42B6]
R2D5 RESN_402 [42B6]
R2D6 RESN_402 [42C5]
R2D7 RESN_402 [42C6]
R2D8 RESN_402 [42B7]
R2D9 RESN_402 [13A7]
R2D10 RESN_402 [13A8]
R2D11 RESN_402 [12C1]
R2D12 RESN_402 [12C2]
R2D13 RESN_402 [60B4]
R2D14 RESN_402 [60B4]
R2E1 RESN_402 [13B4]
R2E2 RESN_402 [13B8]
R2E3 RESN_402 [13A7]
R2E4 RESN_402 [13B7]
R2E5 RESN_402 [12D2]
R2E6 RESN_1210 [54A7]
R2E7 RESN_1210 [54A7]
R2G2 RESN_402 [43B7]
R2G3 RESN_402 [43B6]
R2G5 RESN_603 [46A3]
R2M3 RESN_402 [34B7]
R2M4 RESN_402 [44A1]
R2M5 RESN_402 [34B7]
R2M6 RESN_402 [44A2]
R2M9 RESN_402 [44A3]
R2M10 RESN_402 [44A4]
R2N1 RESN_402 [41A2]
R2N2 RESN_402 [41A4]
R2N3 RESN_402 [41B7]
R2N4 RESN_402 [33B6]
R2N5 RESN_402 [33B6]
R2N6 RESN_402 [33B7]
R2N7 RESN_402 [43A2]
R2N8 RESN_402 [33C2]
R2N9 RESN_402 [34C3]
R2N10 RESN_402 [36B3]
R2N11 RESN_402 [36B3]
R2N12 RESN_402 [36B3]
R2N13 RESN_402 [58C6]
R2N14 RESN_402 [58C4]
R2N15 RESN_402 [34D7]
R2N16 RESN_402 [60C7]
R2N19 RESN_402 [44A5]
R2N20 RESN_402 [44A1]
R2N21 RESN_402 [36C2]
R2N22 RESN_402 [41A5]
R2N23 RESN_402 [41A6]
R2P1 RESN_402 [27D4]
R2P2 RESN_402 [33C7]
R2P3 RESN_402 [27D4]

R2P4 RESN_402 [34C7]
R2P5 RESN_402 [33D7]
R2P6 RESN_402 [34C7]
R2P8 RESN_402 [33C6]
R2P9 RESN_402 [33D6]
R2P10 RESN_402 [34B2]
R2P11 RESN_402 [33C7]
R2P12 RESN_402 [34A2]
R2P13 RESN_402 [34A2]
R2P14 RESN_402 [35B6]
R2P15 RESN_402 [34B2]
R2P16 RESN_402 [33C7]
R2P17 RESN_603 [38C7]
R2P18 RESN_402 [58D4]
R2P19 RESN_402 [58A1]
R2R1 RESN_402 [23A7]
R2R2 RESN_402 [23A7]
R2R3 RESN_402 [24D7]
R2R4 RESN_402 [24D7]
R2R5 RESN_402 [12D2]
R2R6 RESN_402 [12A2]
R2R7 RESN_402 [60A4]
R2R8 RESN_402 [60A4]
R2T1 RESN_402 [12A1]
R2T2 RESN_402 [12B1]
R2T3 RESN_402 [25A7]
R2T4 RESN_402 [25A7]
R2T5 RESN_402 [26D7]
R2T6 RESN_402 [26D7]
R2T7 RESN_805 [54A2]
R2T8 RESN_805 [54A2]
R2V1 RESN_402 [43A2]
R2V2 RESN_402 [43B3]
R3A3 RESN_402 [44C7]
R3A4 RESN_402 [44D7]
R3A6 RESN_402 [44C7]
R3A7 RESN_402 [43C3]
R3A9 RESN_402 [44B7]
R3A10 RESN_603 [29B7]
R3A11 RESN_603 [29B7]
R3A12 RESN_603 [29A7]
R3A13 RESN_603 [29A7]
R3B1 RESN_402 [27C7]
R3B2 RESN_402 [27D8]
R3B3 RESN_402 [58C4]
R3B4 RESN_402 [27C2]
R3B5 RESN_402 [27C2]
R3B6 RESN_402 [27B2]
R3C7 RESN_402 [27C2]
R3C8 RESN_402 [27D2]
R3C9 RESN_402 [27C2]
R3C15 RESN_402 [27C2]
R3C16 RESN_402 [27D2]
R3C21 RESN_0402 [56A5]
R3C22 RESN_402 [56A6]
R3C28 RESN_402 [13C8]
R3D1 RESN_402 [23A5]

R3D2 RESN_402 [24A7]
R3D3 RESN_402 [24A7]
R3D4 RESN_402 [23D7]
R3D5 RESN_402 [23D7]
R3E1 RESN_402 [25A5]
R3E2 RESN_402 [26A8]
R3E3 RESN_402 [26A7]
R3E4 RESN_402 [25D7]
R3E5 RESN_402 [25D7]
R3F1 RESN_402 [19A5]
R3G4 RESN_603 [46B3]
R3M1 RESN_402 [29B2]
R3M2 RESN_402 [44A6]
R3M3 RESN_402 [44A7]
R3M5 RESN_402 [29C4]
R3M6 RESN_402 [29C4]
R3M7 RESN_402 [29B2]
R3M8 RESN_402 [43C4]
R3M9 RESN_402 [43D4]
R3N6 RESN_402 [49B8]
R3N7 RESN_402 [49B7]
R3N8 RESN_402 [58A2]
R3P6 RESN_402 [34B1]
R3P7 RESN_402 [34C2]
R3R1 RESN_402 [24A5]
R3T1 RESN_402 [26A5]
R3T2 RESN_402 [15B4]
R3U1 RESN_402 [20A5]
R3V1 RESN_402 [56C3]
R3V3 RESN_402 [55A4]
R3V4 RESN_402 [55A7]
R3V5 RESN_402 [55A7]
R4B1 RESN_402 [27D7]
R4B2 RESN_402 [27D5]
R4B3 RESN_402 [28A2]
R4B4 RESN_402 [27A3]
R4B5 RESN_402 [27A2]
R4B6 RESN_402 [27B2]
R4B8 RESN_402 [27D6]
R4B9 RESN_402 [27D7]
R4B10 RESN_402 [28D2]
R4B11 RESN_402 [28D1]
R4B12 RESN_402 [28C6]
R4B13 RESN_402 [28D2]
R4B14 RESN_402 [28D1]
R4B15 RESN_402 [28B7]
R4B17 RESN_402 [27C7]
R4B18 RESN_402 [28C7]
R4B19 RESN_603 [28C1]
R4B20 RESN_603 [28B1]
R4B21 RESN_603 [28B1]
R4B22 RESN_603 [28C1]
R4B23 RESN_402 [28C2]
R4B24 RESN_402 [27A3]
R4B25 RESN_402 [27B2]
R4B26 RESN_402 [27C2]
R4B27 RESN_402 [27C2]

R4C1	RESN_402	[28B7]
R4C2	RESN_402	[28B6]
R4C3	RESN_402	[13A6]
R4C4	RESN_402	[13A5]
R4C5	RESN_402	[13A5]
R4C6	RESN_402	[13A3]
R4C7	RESN_402	[13A6]
R4C8	RESN_402	[27C2]
R4C9	RESN_402	[27D2]
R4C10	RESN_402	[27D2]
R4C11	RESN_402	[27D2]
R4C12	RESN_402	[27D2]
R4C13	RESN_402	[27B2]
R4C14	RESN_402	[27B2]
R4C15	RESN_402	[27B3]
R4C16	RESN_402	[27B3]
R4C31	RESN_603	[56C4]
R4D1	RESN_402	[13C4]
R4D2	RESN_402	[13C4]
R4F1	RESN_402	[20A7]
R4F2	RESN_402	[20A8]
R4F3	RESN_402	[19D7]
R4F4	RESN_402	[19D7]
R4F5	RESN_402	[21A5]
R4F6	RESN_402	[13B3]
R4F7	RESN_402	[12B1]
R4F8	RESN_402	[12C1]
R4G1	RESN_402	[55B1]
R4G4	RESN_603	[46C3]
R4G5	RESN_603	[46D3]
R4G6	RESN_402	[55B1]
R4G7	RESN_402	[55A1]
R4G8	RESN_402	[55A1]
R4G9	RESN_402	[55C1]
R4N1	RESN_402	[30C7]
R4N2	RESN_402	[28C7]
R4N3	RESN_402	[28C7]
R4N4	RESN_402	[27B4]
R4N5	RESN_402	[27C7]
R4N6	RESN_402	[27C7]
R4P1	RESN_402	[27C7]
R4P2	RESN_402	[43C4]
R4P13	RESN_603	[56C4]
R4P14	RESN_603	[56C3]
R4R1	RESN_402	[15A7]
R4R2	RESN_402	[15A7]
R4R3	RESN_402	[13C8]
R4R4	RESN_402	[15B8]
R4R5	RESN_402	[15A8]
R4R6	RESN_402	[15A3]
R4R7	RESN_402	[15A3]
R4R8	RESN_402	[13B7]
R4R9	RESN_402	[12B8]
R4T1	RESN_402	[13B8]
R4T2	RESN_402	[15A4]
R4T3	RESN_402	[14A8]
R4T4	RESN_402	[14B8]

R4T5	RESN_402	[14A3]
R4T6	RESN_402	[14A7]
R4T7	RESN_402	[14A7]
R4T8	RESN_402	[14A3]
R4U1	RESN_402	[22A5]
R4U2	RESN_402	[20D7]
R4U3	RESN_402	[20D7]
R4U4	RESN_402	[19A7]
R4U5	RESN_402	[19A7]
R4U6	RESN_402	[12A1]
R4V1	RESN_402	[55B3]
R4V2	RESN_402	[55B5]
R4V3	RESN_402	[55B5]
R4V4	RESN_402	[55B6]
R4V5	RESN_402	[55A8]
R4V6	RESN_402	[55B8]
R4V7	RESN_402	[55C6]
R4V9	RESN_402	[55B8]
R4V10	RESN_402	[55A6]
R4V11	RESN_402	[55C8]
R5B1	RESN_402	[56B6]
R5B2	RESN_402	[56A6]
R5B3	RESN_1206	[56B7]
R5C4	RESN_805	[56A4]
R5C5	RESN_402	[13A6]
R5C6	RESN_805	[56B4]
R5C8	RESN_402	[13A6]
R5C9	RESN_0402	[56B1]
R5C10	RESN_402	[13A6]
R5C11	RESN_402	[12D8]
R5C12	RESN_402	[12D8]
R5D1	RESN_402	[13D8]
R5D2	RESN_402	[13D7]
R5E1	RESN_402	[14A4]
R5E2	RESN_402	[14B4]
R5F1	RESN_402	[22A7]
R5F2	RESN_402	[22A7]
R5F3	RESN_402	[21D7]
R5F4	RESN_402	[21D7]
R5N1	RESN_402	[53B2]
R5P1	RESN_402	[56B2]
R5P2	RESN_402	[56B2]
R5P3	RESN_402	[13A6]
R5R1	RESN_402	[12D8]
R5R2	RESN_402	[12C8]
R5R3	RESN_402	[12A8]
R5U1	RESN_402	[22D7]
R5U2	RESN_402	[22D7]
R5U3	RESN_402	[21A7]
R5U4	RESN_402	[21A7]
R5V2	RESN_402	[43D6]
R5V3	RESN_402	[43D7]
R6C1	RESN_805	[56B3]
R6C2	RESN_805	[54D3]
R6D4	RESN_402	[4D5]
R6D5	RESN_402	[4D5]
R6E1	RESN_402	[4B2]

R6E2	RESN_402	[4A5]
R6G7	RESN_603	[49C7]
R6G8	RESN_603	[49C7]
R6G35	RESN_402	[60D4]
R6G36	RESN_402	[60D4]
R6G37	RESN_603	[49B6]
R6G38	RESN_603	[49A6]
R6R1	RESN_0402	[56A1]
R6R2	RESN_402	[56A2]
R6R3	RESN_402	[56A2]
R6R4	RESN_402	[4D7]
R6R5	RESN_402	[4C7]
R6R6	RESN_402	[4C8]
R6R7	RESN_402	[4C8]
R6R8	RESN_402	[4C8]
R6R9	RESN_402	[4C8]
R6T1	RESN_402	[56C5]
R6T3	RESN_402	[56D4]
R6T4	RESN_402	[56C5]
R6V1	RESN_402	[60C4]
R6V2	RESN_402	[60C4]
R7B2	RESN_402	[49B2]
R7B6	RESN_805	[54B3]
R7D1	RESN_402	[4C7]
R7D2	RESN_402	[4C7]
R7E1	RESN_402	[50D6]
R7E2	RESN_402	[50D6]
R7E3	RESN_402	[50D6]
R7E4	RESN_402	[50D6]
R7E5	RESN_402	[50D6]
R7E6	RESN_402	[50C6]
R7E7	RESN_402	[4A5]
R7E8	RESN_402	[4A4]
R7F1	RESN_402	[4A4]
R7F2	RESN_402	[4A5]
R7F3	RESN_402	[4A2]
R7F4	RESN_402	[4A2]
R7F6	RESN_603	[60D2]
R7F7	RESN_402	[4A2]
R7F9	RESN_402	[57C8]
R7G23	RESN_805	[57D1]
R7N1	RESN_805	[49A1]
R7N2	RESN_805	[49A1]
R7N3	RESN_805	[49A2]
R7N4	RESN_805	[49A1]
R7R1	RESN_402	[4B6]
R7R2	RESN_402	[4B6]
R7R3	RESN_402	[4A7]
R7R4	RESN_402	[4D7]
R7R5	RESN_402	[4A8]
R7R8	RESN_402	[4B7]
R7R9	RESN_402	[4B1]
R7R10	RESN_402	[4D7]
R7R11	RESN_402	[4D7]
R7R12	RESN_402	[4A8]
R7R13	RESN_402	[4A7]
R7R14	RESN_402	[4B5]

R7R15	RESN_402	[4B7]
R7R16	RESN_402	[4D7]
R7R17	RESN_402	[4C8]
R7R18	RESN_402	[4A7]
R7R19	RESN_402	[4A7]
R7R20	RESN_402	[4A8]
R7R21	RESN_402	[4A8]
R7R22	RESN_402	[4A7]
R7R23	RESN_402	[4A7]
R7T2	RESN_402	[6C5]
R7T4	RESN_402	[50D5]
R7T5	RESN_402	[50D4]
R7T6	RESN_402	[50D5]
R7T7	RESN_402	[50D4]
R7T8	RESN_402	[50D5]
R7T9	RESN_402	[50D4]
R7T10	RESN_402	[56D4]
R7T11	RESN_402	[50C5]
R7T12	RESN_402	[50C4]
R7T13	RESN_402	[50C5]
R7T14	RESN_402	[50C4]
R7T15	RESN_402	[50C5]
R7T16	RESN_402	[50C4]
R7T18	RESN_402	[4B6]
R7T19	RESN_402	[57C7]
R7U3	RESN_402	[4A5]
R7U4	RESN_402	[57B8]
R7U5	RESN_402	[57B7]
R7U6	RESN_402	[57B5]
R7U7	RESN_402	[57B3]
R7U8	RESN_402	[57A6]
R7V4	RESN_402	[34C2]
R7V8	RESN_402	[60C4]
R8A1	RESN_402	[49C4]
R8A2	RESN_402	[49C3]
R8A3	RESN_402	[49A3]
R8A4	RESN_402	[49A3]
R8A5	RESN_402	[58B3]
R8B1	RESN_402	[53D3]
R8B2	RESN_402	[53A7]
R8B3	RESN_603	[53A6]
R8B4	RESN_603	[53C3]
R8B5	RESN_402	[49B3]
R8B6	RESN_402	[58B2]
R8B7	RESN_402	[53D3]
R8B8	RESN_402	[53D3]
R8B9	RESN_402	[53C3]
R8B10	RESN_402	[53C3]
R8C1	RESN_402	[53B2]
R8C2	RESN_402	[58A5]
R8C3	RESN_402	[58A4]
R8C4	RESN_402	[58A4]
R8C5	RESN_402	[58A4]
R8C6	RESN_402	[58A4]
R8C7	RESN_603	[53B6]
R8C8	RESN_402	[58A2]
R8C9	RESN_402	[53D7]

R8F7	RESN_402	[51C7]
R8F8	RESN_402	[51C2]
R8G1	RESN_603	[51D6]
R8G3	RESN_402	[51A6]
R8N1	RESN_402	[49B2]
R8N2	RESN_805	[53C2]
R8N3	RESN_805	[53A3]
R8N4	RESN_805	[53A2]
R8N5	RESN_805	[53A3]
R8N6	RESN_805	[53A2]
R8N7	RESN_805	[53D6]
R8N17	RESN_402	[34D2]
R8N18	RESN_402	[34C2]
R8P1	RESN_603	[53C7]
R8P3	RESN_402	[53C7]
R8P4	RESN_402	[53C7]
R8P5	RESN_603	[53B7]
R8P6	RESN_603	[53B7]
R8P7	RESN_402	[53C8]
R8P8	RESN_402	[58A2]
R8P9	RESN_402	[53D7]
R8U1	RESN_603	[51B2]
R8U2	RESN_402	[51B3]
R8U3	RESN_402	[51C5]
R8U4	RESN_402	[51B2]
R8U5	RESN_402	[51D5]
R8U6	RESN_402	[57B4]
R8U7	RESN_402	[57C5]
R8U8	RESN_402	[57C6]
R8U9	RESN_402	[57C6]
R8U10	RESN_603	[51A7]
R8U11	RESN_402	[51A5]
R8U12	RESN_402	[57A5]
R8U13	RESN_402	[51A7]
R8U14	RESN_402	[57B2]
R8V1	RESN_603	[51B7]
R8V2	RESN_603	[51B7]
R8V3	RESN_603	[51B6]
R8V4	RESN_603	[51B7]
R8V5	RESN_603	[51B6]
R8V6	RESN_603	[51C6]
R8V7	RESN_603	[51C6]
R8V9	RESN_603	[51C6]
R8V10	RESN_805	[51D6]
R9B1	RESN_402	[53B2]
R9C1	RESN_805	[52C2]
R9E1	RESN_805	[52B2]
R9F1	RESN_805	[52A2]
R9G1	RESN_603	[46B7]
R9G2	RESN_603	[46C7]
R9P1	RESN_805	[52D5]
R9P2	RESN_805	[52D7]
R9T1	RESN_805	[52C5]
R9T2	RESN_805	[52C7]
R9U1	RESN_805	[52A5]
R9U2	RESN_805	[52B7]
R9V1	RESN_603	[46A7]

R9V2	RESN_603	[46A7]
RT1B1	THERMISTOR_12	[45D5]
	06	
RT1R1	THERMISTOR_12	[48B3]
	06	
RT1U1	THERMISTOR_18	[48B4]
	12	
RT2G1	THERMISTOR_12	[46D3]
	06	
RT2M1	THERMISTOR_12	[44D4]
	06	
RT7C1	THERMISTOR_60	[53D8]
	3	
RT8F1	THERMISTOR_60	[51C6]
	3	
RT8G1	THERMISTOR_12	[46D7]
	06	
RT8G2	THERMISTOR_12	[46B7]
	06	
ST1P1	SHORT_SM	[38B7]
ST1P2	SHORT_SM	[38B7]
ST1P3	SHORT_SM	[38A7]
ST2F1	SHORT_SM	[55C1]
ST2F2	SHORT_SM	[55C3]
ST2P1	SHORT_SM	[38C7]
ST2P2	SHORT_SM	[37B7]
ST2P3	SHORT_SM	[37C7]
ST2P4	SHORT_SM	[37A7]
ST3G1	SHORT_SM	[55C3]
ST4C1	SHORT_SM	[28A7]
ST4C2	SHORT_SM	[28A7]
ST4C3	SHORT_SM	[28A7]
ST4C4	SHORT_SM	[28A7]
ST4C5	SHORT_SM	[28A7]
ST5R1	SHORT_SM	[53B7]
ST5R2	SHORT_SM	[53D7]
ST5V1	SHORT_SM	[55C7]
ST6D1	SHORT_SM	[6C7]
ST6F1	SHORT_SM	[55C8]
ST6F2	SHORT_SM	[55C7]
ST6R1	SHORT_SM	[6B7]
ST6R2	SHORT_SM	[6A7]
ST7D1	SHORT_SM	[6A7]
ST7D2	SHORT_SM	[57B2]
ST7R1	SHORT_SM	[6C7]
ST7T1	SHORT_SM	[51B4]
ST7T2	SHORT_SM	[51A8]
ST8C1	SHORT_SM	[53A8]
ST8F1	SHORT_SM	[51A7]
TP5A1	TDRX4_TH	[62C7]
TP5A2	TDRX4_TH	[62C7]
TP6A1	TDRX2_TH	[62A1]
TP6A2	TDRX2_TH	[62B1]
TP6D1	PROBE_SMT	[4C7]
TP7A1	TDRX4_TH	[62B7]
TP7A2	TDRX4_TH	[62A7]
TP7M1	TDRX2_TH	[62C1]

TP7M2	TDRX2_TH	[62D1]
TP7R1	PROBE_SMT	[4D2]
TP7R2	PROBE_SMT	[4C2]
TP7R3	PROBE_SMT	[4C2]
TP7R4	PROBE_SMT	[4C2]
TP8A1	TDRX2_TH	[62B1]
TP8A2	TDRX2_TH	[62C1]
TP8M1	TDRX4_TH	[62A7]
TP8M2	TDRX4_TH	[62A7]
U1B1	BCM5241_LCC32	[40B4]
U1B2	ICS1893BF_SSO	[39C5]
	P	
U1F1	NCP5662_DPAK	[56D6]
U1F2	NCP1117_DPAK	[46A3]
U1G1	IR_WHOLDER_TH	[43A4]
U1R1	SI4501DY_SO8	[47B4]
U1U1	SN74LVC1G14_S	[34A5]
	C70	
U2B1	XDAC_SOIC14	[41C6]
U2C1	SB_BGA	[33C4]
U2C1	SB_BGA	[34C4]
U2C1	SB_BGA	[35C5]
U2C1	SB_BGA	[36C5]
U2C1	SB_BGA	[37C4]
U2C1	SB_BGA	[38B5]
U2D1	SN74LVC1G125_	[12B2]
	SC70	
U2E1	NAND_TSOP	[42B3]
U2E2	SN74LVC1G125_	[12D2]
	SC70	
U2R1	SN74LVC1G125_	[12A2]
	SC70	
U2T1	NCP1117_DPAK	[54A5]
U3D1	GDDR136_BGA13	[23C6 23C2]
	6	
U3E1	GDDR136_BGA13	[25C2 25C6]
	6	
U3P1	NCP1117_SOT22	[56A7]
	3	
U3R1	GDDR136_BGA13	[24C2 24C6]
	6	
U3T1	GDDR136_BGA13	[26C6 26C2]
	6	
U4C1	AT25020A_SOI8	[13A4]
U4C2	HANA_BGA225	[27C5]
U4C2	HANA_BGA225	[28C4]
U4C2	HANA_BGA225	[30C5]
U4C2	HANA_BGA225	[31B5]
U4D1	NBY2_BGA	[12C6]
U4D1	NBY2_BGA	[13C5]
U4D1	NBY2_BGA	[14C7 14C3]
U4D1	NBY2_BGA	[15C7 15C3]
U4D1	NBY2_BGA	[16C3]
U4D1	NBY2_BGA	[17B7 17B2]
		[17B5 17B3]
U4D1	NBY2_BGA	[59C8]
U4F1	GDDR136_BGA13	[19C2 19C6]

U4U1	GDDR136_BGA13	[20C2 20C6]
	6	
U4V1	ADP1823_LCC32	[55C5]
U5B1	NCP1117_DPAK	[56C7]
U5B2	NCP1117_DPAK	[56B7]
U5C1	NCP1117_SOT22	[56C3]
	3	
U5F1	GDDR136_BGA13	[21C2 21B6]
	6	
U5U1	GDDR136_BGA13	[22B6 22C2]
	6	
U6R1	NCP1117_SOT22	[56A3]
	3	
U6T1	NCP502D_SC70	[56D2]
U6T2	LP2980_SOT23_	[56D2]
	5	
U7D1	LOKI_BGA	[4C4]
U7D1	LOKI_BGA	[5C5]
U7D1	LOKI_BGA	[6C3]
U7D1	LOKI_BGA	[7C7 7C2 7C5]
U7D1	LOKI_BGA	[8B7 8B4 8B2]
U7D1	LOKI_BGA	[59B3]
U7E1	AT25020A_SOI8	[4A3]
U7F1	FET_VREG_DUAL	[57C3]
	_1_SO-8	
U7U2	IR3638_SSOP	[57C4]
U8N1	NCP5331_LQFP3	[53C5]
	2	
U8U1	ADP3190A_TSSO	[51C4]
	P28	
U9P1	MOSDRIVER_SOI	[52D6]
	8	
U9T1	MOSDRIVER_SOI	[52B6]
	8	
U9U1	MOSDRIVER_SOI	[52A6]
	8	
Y3B1	CRYSTAL_SM	[27D8]